

LED High Bay Retrofitting Bulb



This LED bulb is tailored to replace MH HPS HID CFL lamp etc., for high bay low bay lighting fixtures.



Dimension

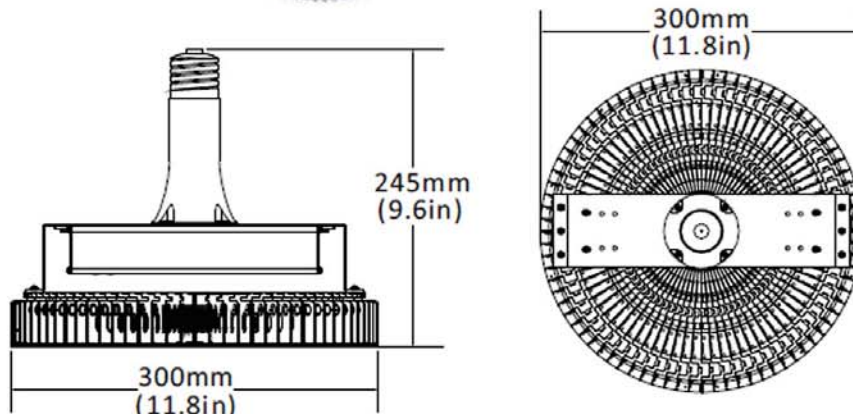
Milky cover

Clear cover

without cover

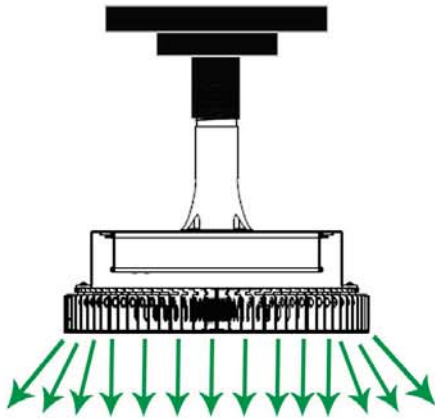


E40/E39: Dia300*245mm
E27/E26: Dia128*235mm

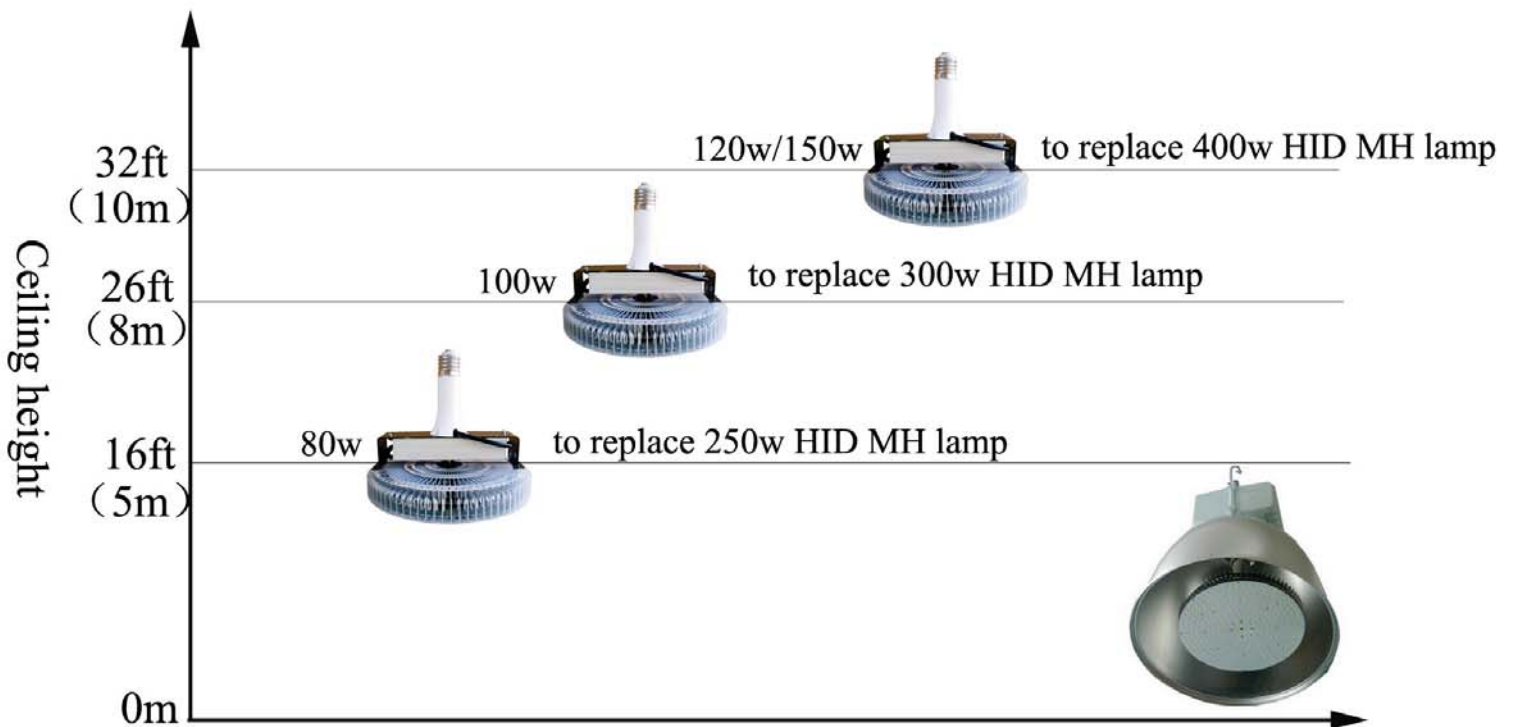


Lighting Efficiency

The LED bulb is designed with a round PCB LED surface, beam angle at 120 degree, all light down to the ground directly, no lighting to be wasted to go through any reflection or retraction, greatly improved the lighting efficiency and lighting effect.



LED to HID MH



Free dialux work will be provided upon requirement to imitate the lighting effect and lux intensity on the ground.



Specification data

Item No.	Rated Watt	Input Volt	Power Factor	CRI	Replacement	Lumens
HBL-80W-E39	80W	100-277VAC	PF>0.95	Ra>80	250W MH HPS HID	9600LM
HBL-100W-E39	100W	100-277VAC	PF>0.95	Ra>80	300W MH HPS HID	12000LM
HBL-120W-E39	120W	100-277VAC	PF>0.95	Ra>80	400W MH HPS HID	14000LM

Color temperature: 2700k,3000k,4000k,5000k,5700k.

Life time: over 50,000 hours.

Warranty: 5 years factory warranty.



Applications

This LED bulb can be applied for all different high bay low bay fixtures to replace MH HPS HID lamp up to 400w.(including enclosed applications)



Please remove any ballast or capacitor parts before doing the retrofitting.