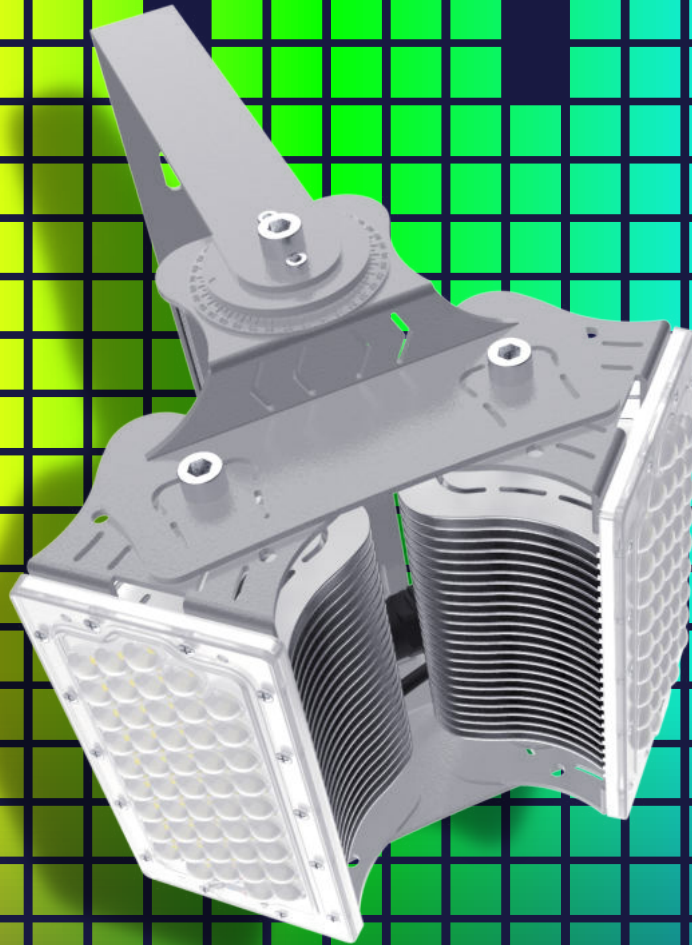


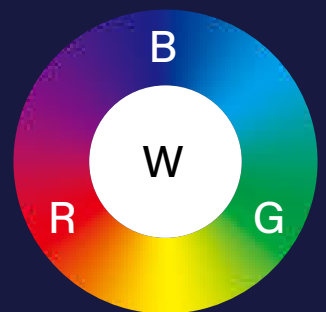
# G-COMIN

Innovative LED Light Manufacturer



## RGBW Flood Light

**RGBW**  
COLOUR  
CHANGING



# COLOR YOUR LIFE

LED RGBW floodlights are designed to provide bright and colorful lighting



T400A-RGBW-100W  
T400B-RGBW-50W



T400A-RGBW-200W  
T400B-RGBW-100W



T400A-RGBW-300W  
T400B-RGBW-150W



T400A-RGBW-400W  
T400B-RGBW-200W



T400A-RGBW-600W  
T400B-RGBW-300W

## Technical Specifications

Wattage	50/100/150/200/300/400/600W
Color	RGBW
Input Voltage	AC 100-277V (DC 24V Optional)
IP Grade	IP66
Beam Angle	30°/60°/90°/120°
Control Mode	APP + Remote (*DMX 512 mode solutions offered according to the specific project)
Heat-Sink	Aluminium cooling fin
Operating temp	-40°C~60°C

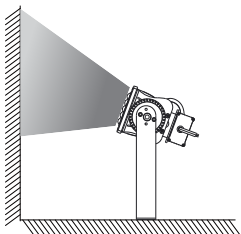
## Introduction

T400-RGBW Flood Light is a reliable and cost-effective light which provides a total of 16 million color allowing you to get exact color.

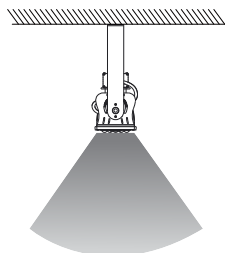
We provide Remote/APP control two solutions to achieve RGBW dynamic color effects, including brightness adjustment, speed adjustment and multiple modes includes flash, timing and music color change mode.

1. Remote control is by clicking the button on the controller to achieve color and dynamic mode selection.
2. APP is controlled by mobile phone (IOS or Android system) to realize dynamic color effect and mode selection.

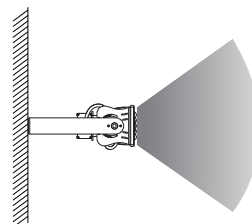
## Installation



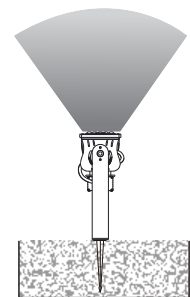
Wall washer



Ceiling/Suspension  
Installation



Wall Installation



Ground Stake

## Control parameter

### Remote

Remote control: 2.4G

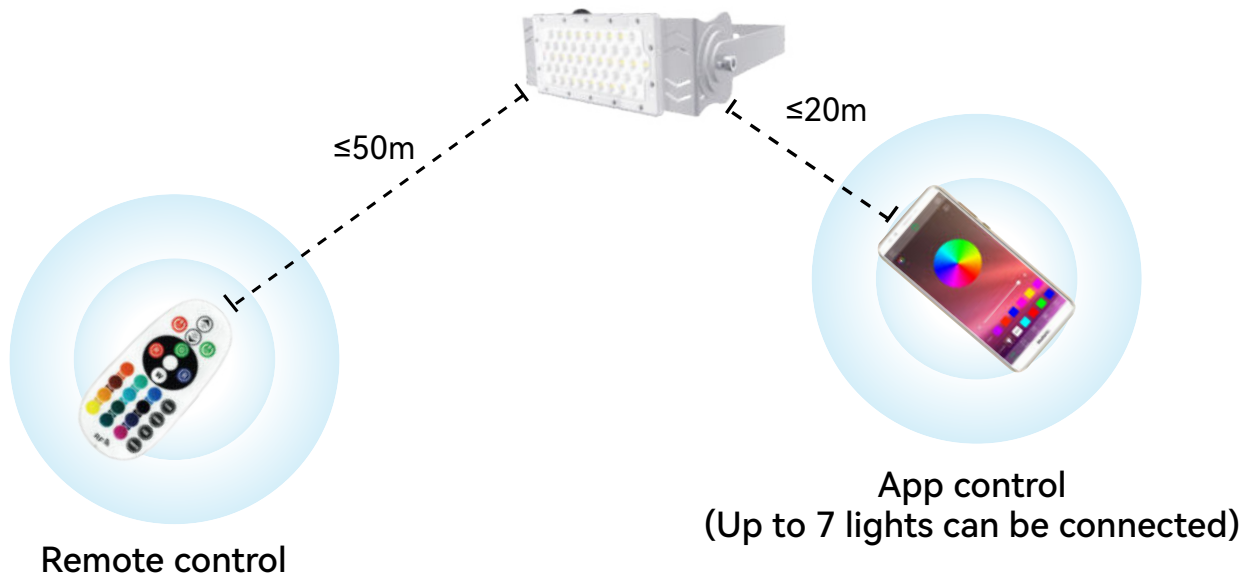
Remote control distance: 50 meters limit

### APP

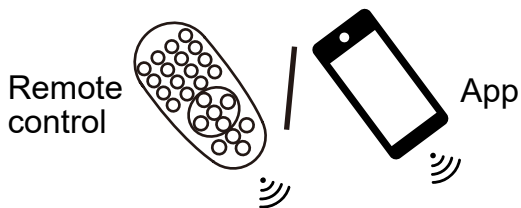
Transmission mode: Bluetooth 4.0 or later

Mobile operating system:  
IOS6.0, Android 4.3, HarmonyOS 2.0 or later

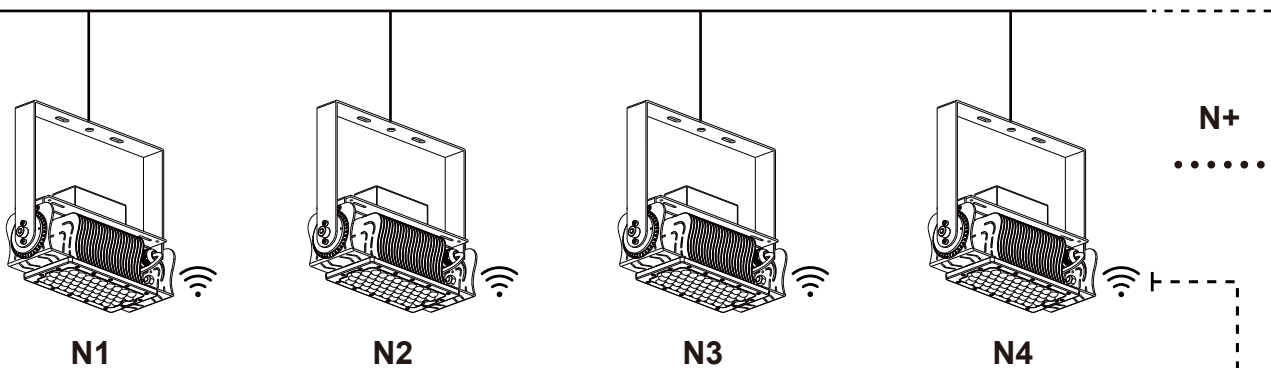
Control distance: 20 meters limit



## Wiring



### AC 100-277V



Each light integrated with sign receiver, no signal cable required.

# Operation Method

## ▶ Remote control:

The controller is universal, which means that one remote control can control all lights. (Also, you can choose separate control type that one light is equipped with one remote control.)

Control functions include :

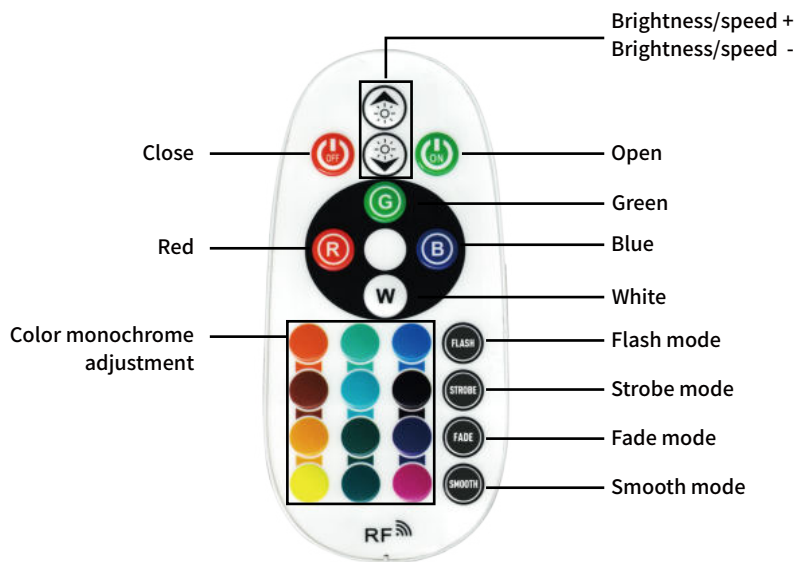
- Brightness/speed adjustment
- Monochrome color selection
- Mode selection :
  - Flash mode
  - Strobe mode
  - Fade mode
  - Smooth mode

## ▶ App control: (App language follows the mobile phone system)

Before using the App control, please install the App control software. Scan the QR code on the light, download and install the software. Then, turn on the Bluetooth to connect the light to realize the control.

Control functions include :

- Static color adjustment:
  - Monochrome option / bright adjustment / picture color
- Music mode
- Dynamic mode
- Voice control mode
- Timing mode.



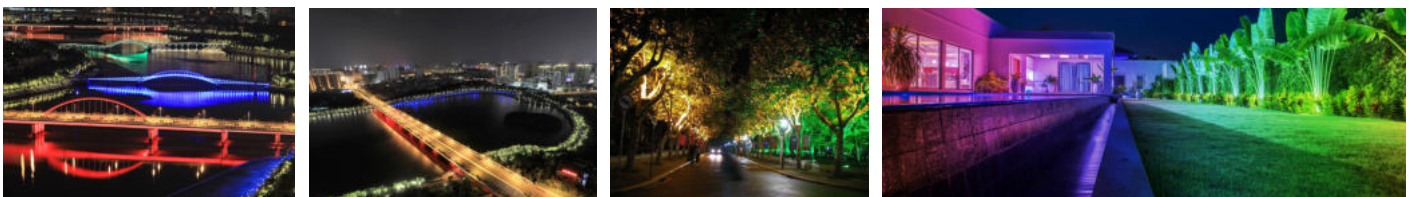
Remote Control



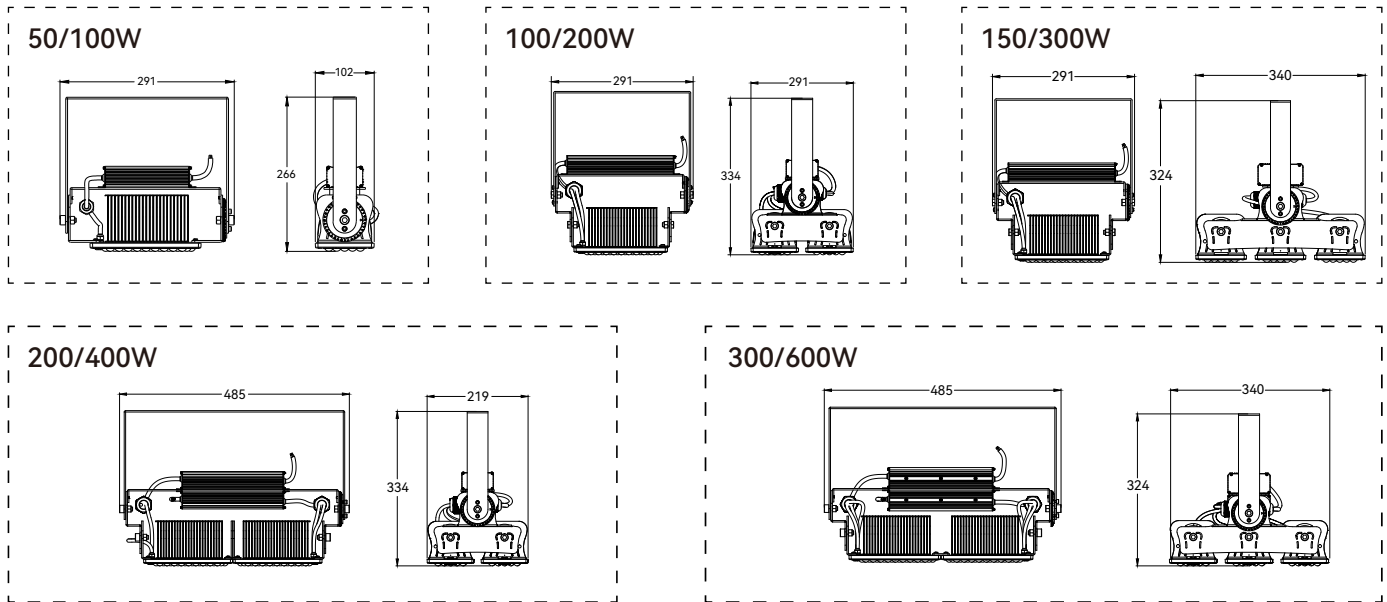
App Control

# Application

- Architecture lighting
- Entertainment lighting
- Building facade
- Tower and bridge



## Size



## Packaging

Model	Module	Size of Box	Gross Weight	Size of Carton	Gross Carton	Box Quantity /Carton
RGBW T400A 100W	1x100W Module	34x15x32cm	4.1KG±5%	71x35x34cm	20.5KG±5%	5
RGBW T400A 200W	2x100W Module	32x26x39cm	5.9KG±5%	53x34x79m	23.6KG±5%	4
RGBW T400A 300W	3x100W Module	41x33x29cm	7.7KG±5%	67x42x34cm	16.0KG±5%	2
RGBW T400A 400W	4x100W Module	53x26x41cm	9.0KG±5%	55x52x43cm	19.0KG±5%	2
RGBW T400A 600W	6x100W Module	53x42x35cm	13.4KG±5%	55x44x65cm	26.8KG±5%	2

Model	Module	Size of Box	Gross Weight	Size of Carton	Gross Carton	Box Quantity /Carton
RGBW T400B 50W	1x50W Module	34x15x32cm	3.4KG±5%	71x35x34cm	17.0KG±5%	5
RGBW T400B 100W	2x50W Module	32x26x39cm	5.5KG±5%	53x34x79m	22.0KG±5%	4
RGBW T400B 150W	3x50W Module	41x33x29cm	6.7KG±5%	67x42x34cm	23.4KG±5%	4
RGBW T400B 200W	4x50W Module	53x26x41cm	7.8KG±5%	55x52x43cm	16.0KG±5%	2
RGBW T400B 300W	6x50W Module	53x42x35cm	11.4KG±5%	55x44x65cm	23.0KG±5%	2