



8FT FA8 Tunable LED tube



Date:..... Location:

Product:..... Project

Quantity:..... Catalog#

FEATURES

- Compatible with most instant- and programmed-start electronic T8 ballasts
- Bypass ballast runs on 120-277V line voltage
- Single- or double-ended wiring
- CCT & wattage tunable switchable
- 50,000+ hour lifetime
- Suitable for dry and damp indoor locations
- Operating temperature -4°F to +113°F
- ETL Listed

SUITABLE APPLICATIONS

- Office Lighting
- Meeting room lighting
- Store lighting
- Restaurant lighting



CONSTRUCTION:

Alluminum housing,high lumen out Led Chip

ELECTRICAL:

Available as 120-277V input. -4°F to +113°F

OPTICAL SYSTEM:

High transmission PC lense,120°beam angle

INSTALLATION&MOUNTING:

Bypass ballast with Single- or double-ended wiring

WARRANTY:

5-year limited warranty. Actual performance may differ as a result of end-user environment and application.

PERFORMANCE

Model NO	Wattage	Voltage/Current Input		Size(FA8)	Light Efficiency	Tunable CCT
		120V(A)	277V(A)			
8FT-T8-36W-50K-FC	36W	0.3	0.13	8' LED T8 Tubes	110-120LM/W	5000K
8FT-T8-44W-65K-CC	44W	0.36	0.15	8' LED T8 Tubes	120-130LM/W	6500K

Electric Characteristic

PRODUCT ORDERING GUIDE

8FT-T8-36W-50K-FC
1 2 3

8FT-T8-36W 36W 8FT T8 tubes

50K:CCT5000K FC:Frosted cover

8FT-T8-44W-65K-CC
1 2 3

8FT-T8-44W 44W 8FT T8 tubes

65K:CCT6500K CC:Clear cover

OPTIONAL ACCESSORIES

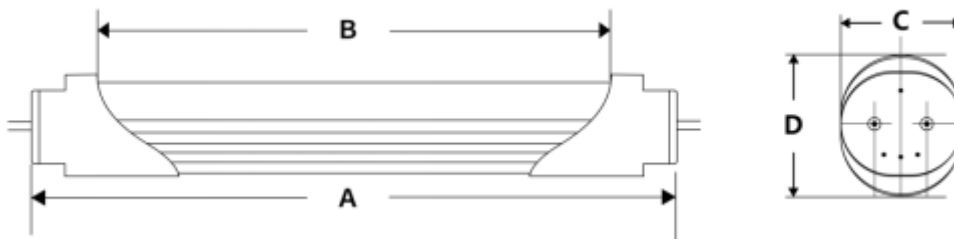


Emergency Battery Backup Style
LSED20W

Electric Characteristic

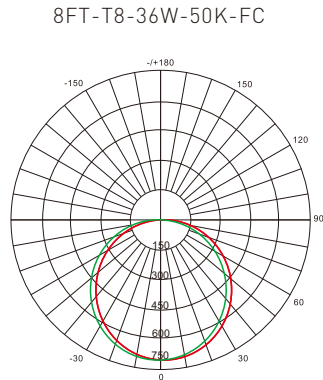
Specification/Model	8FT-T8-36W-50K-FC	8FT-T8-44W-65K-CC
LED Driver	UL Driver	
Input power	36W	44W
Lumens output	4320LM	5720LM
Efficiency	110-120LM/W	120-130LM/W
CRI	>80	>80
Color Temperature	5000K	6500K
Input voltage	120-277V/AC	120-277V/AC
Light distribution type	120D	120D
Working temperature	-4°F to +113°F	-4°F to +113°F
Junction temperature	<75°C	<75°C
lamps efficiency	≥90%	≥90%
Certificate	ETL cETL DLC	ETL cETL DLC
Equivalent	24-60W MH/HPS	24-60W MH/HPS

DIMENSION

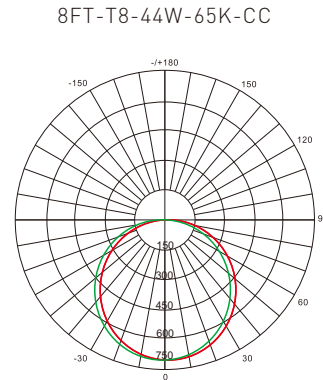


A (Body Length)	93.2"
B (Illuminated Length)	92.4"
C (Width)	1.32"
D (Height)	1.15"

DISTRIBUTION DIAGRAM



8FT-T8-36W-50K-FC
 AVERAGE BEAM ANGLE(50%): 120°
 Lumens:4320LM
 Test Number:36W
 Test Number:5000K
 UNIT:CD
 - C0/180,110.9
 - C30/210,110.5
 - C60/240,109.3
 - C90/270,109.1



8FT-T8-44W-65K-CC
 AVERAGE BEAM ANGLE(50%): 120°
 Lumens:5720LM
 Test Number:44W
 Test Number:6500K
 UNIT:CD
 - C0/180,110.9
 - C30/210,110.5
 - C60/240,109.3
 - C90/270,109.1

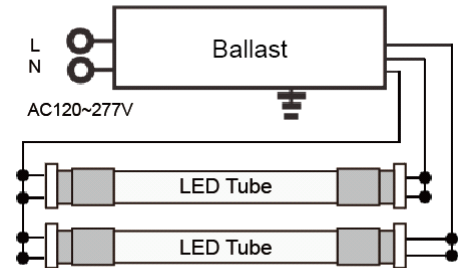
INSTALLATION INSTRUCTIONS

DIRCT REPLACEMENT (WITH EXISTING BALLAST)

* Warning: Check Ballast Compatibility List before installation

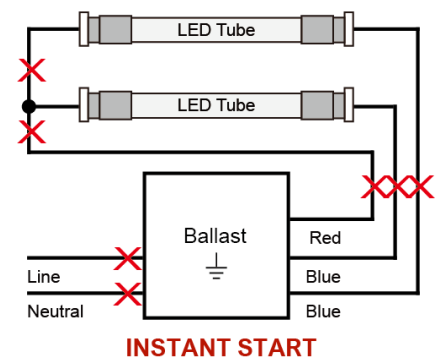
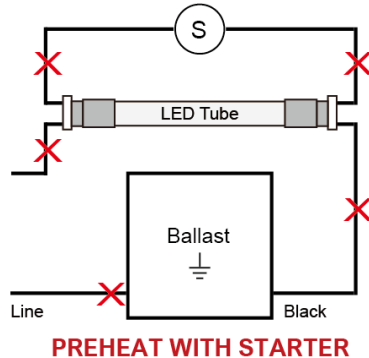
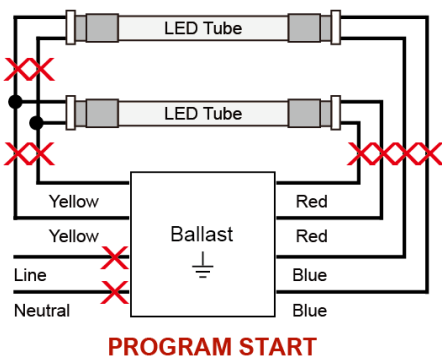
1. Turn power off.
2. Remove lens or diffuser, if applicable.
3. Remove existing fluorescent lamp(s) from the luminaire.
4. Install the LED replacement lamp(s), one lamp for each fluorescent lamp removed*
5. Replace lens or diffuser back in place, if applicable.
6. Turn power back on.

PLUG & PLAY



BY-PASS REPLACEMENT (WITHOUT BALLAST)

1. Disconnect power from fixture.
2. Remove fluorescent lamps.
3. Remove lens and wiring compartment, if applicable.



4. Cut all wires connected to ballast (see Figure A: Typical Ballast Configurations).

