

Explosion Proof L Series

Drop Light



Explosion Protection

Marking UL844 <small>(North American)</small>	Class I, Division 1, Groups B, C, D Class II, Division 1, Groups F, G Class II, Division 2, Groups F, G Class III
Marine Marking	UL 1598A
Other Rating	IP 67

Applications

Oil and Gas industry

- ★ All petroleum production and refining
- ★ Petroleum loading and transportation
- ★ Petroleum storage and retail
- ★ LNG industry
- ★ All mining operations and service

Chemical industry

- ★ All types of paint facilities
- ★ Chemical production and storage

Ocean, marine and aerospace field

- ★ Ocean platform operation facilities and structure
- ★ Aerospace clean room and production
- ★ Ocean vessel operations

Metal treatment

- ★ Steel and aluminum factories
- ★ Pumping stations in any environment
- ★ Metal smelting, foundry and fabrication

Food and alcohol industry

- ★ Flour and fine particle production and storage
- ★ Food and distilling production
- ★ alcohol industry

Other high humidity, high dust, high temperature, vapor locations

Materials

- ★ Housing: copper free aluminum
- ★ Lens: glass

Basic Data

Product Number	Wattage	Color Temperature	Voltage	Lumens	Warranty	CRI
EX-5W LXYZDA	5	2200K-7000K	AC100-277/220-480V	650	5 years	>70
EX-7W LXYZDA	7			910		
EX-9W LXYZDA	9			1170		
EX-10W LXYZDA	10			1300		
EX-15W LXYZDA	15			1950		
EX-20W LXYZDA	20			2600		
EX-30W LXYZDA	30			2900		

"L"=Product code "X"=Type "1-15"; "Y"=D or N: Dimmable or Non-dimmable, L Series is non-dimmable
 "Z"=CCT, from 2200~7000K; "D"=Beam angle; A for cover info. blank for flat cover, C spherical cover.

Packing Information

Model	Quantity/Carton	Packing Size(mm)	N.W(KG)	G.W(KG)
L	1	200×200×600	2.6	3
	4	595×500×525	13	14

Key Features

- Working Temperature: -40°C ~ +60°C.
- High durability and reliability.
- Long working wattage for energy saving.
- Light weight and reasonable size.
- High vibration and impact resistant.
- Completed automatic control.
- Lamp shield prevent shattering.
- Aluminum housing.
- Plug into standard outlets.
- Swivel hook for hanging and hands free operation.
- Portable and be moved easily.
- Hook to make installation extremely easy.
- Battery back up for emergency situation.
- Changeable light source and battery to make replacement super easy.

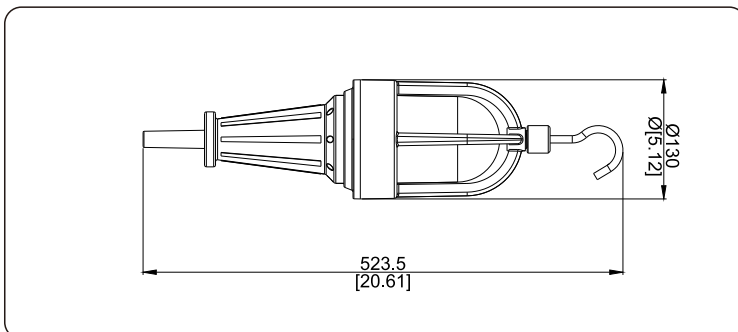
Notes

5W LED drop light is suitable for replacement at the locations with 600w to 100W traditional bulbs.

This explosion proof hand light operates on standard 120 Volts. This unit is available with either a 60-100 watt bulb for Class 1 Division 1 operation (Gases Vapors) or a 60 watt bulb for Class 2 Division 1 operations (Dusts).

Mechanical Structure

Unit:mm or inch



Installation Manual

WARNING

READ THIS INSTRUCTION CAREFULLY BEFORE INSTALLING. KEEP THIS INSTRUCTION FOR FUTURE REFERENCE.

Fixtures must be wired in accordance with the National electrical code and all applicable local codes. Proper grounding is required for safety.

THIS PRODUCT MUST BE INSTALLED IN ACCORDANCE WITH THE APPLICABLE INSTALLATION CODE BY A QUALIFIED ELECTRICIAN WHO IS FAMILIAR WITH THE CONSTRUCTION AND OPERATION OF THE PRODUCT AND THE HAZARDS INVOLVED.

Warning: Risk of fire or electric shock. High bay Light installation requires knowledge of luminaires and electrical systems. If not qualified, DO NOT try to install. Please contact an electrician.

Warning: Risk of fire or electric shock. Suitable for wet locations. Make sure the power is off prior to install.

Warning: Risk of fire or electric shock. Suitable for non-insulated surface and frame. DO NOT cover fixture with insulation liner or similar material.

Warning: DO NOT install in unstable, loose or breakable surfaces.

Warning: DO NOT let objects impact or exert force on the surface of the fixture.



WARNING
Risk of fire, Electric shock or personal injury
Before installation, turn off power!

Installation Methods(Handheld)



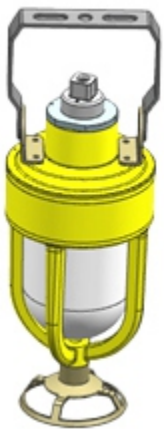
Type L1-L3



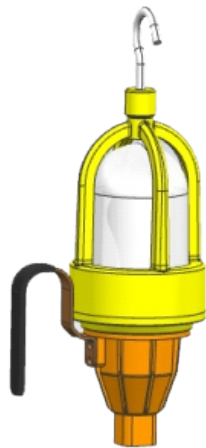
Type L4-L6



Type L7-L9



Type L10-L12



Type L13-L15