

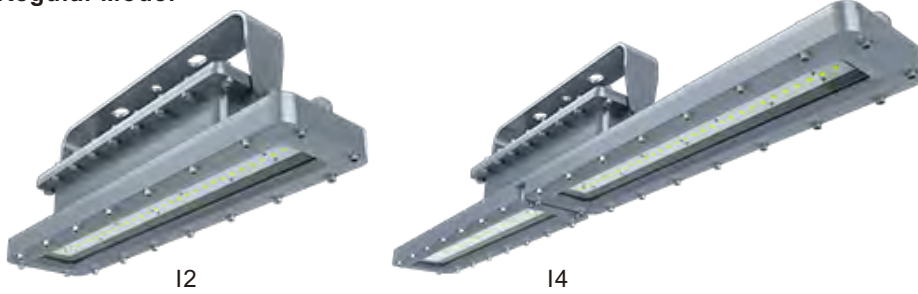
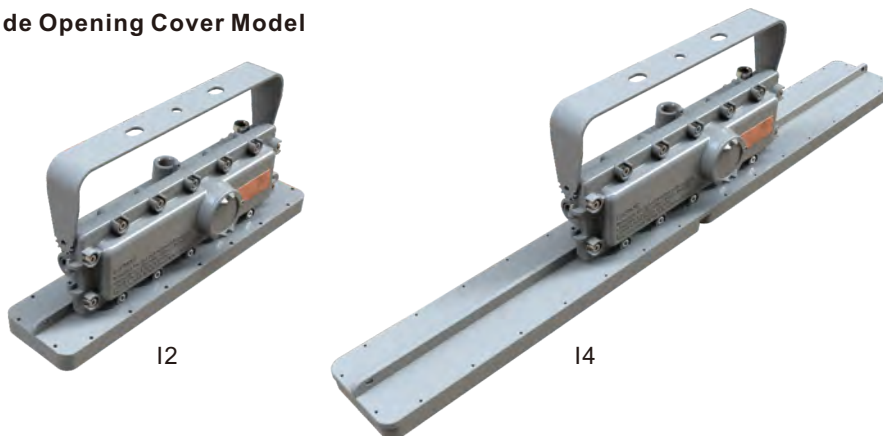
# Durable Lighting Made for Industrial Safety



## Hazardous Location LED Luminaire I Series (for North America)

Specsheet-2023-07 EN

**VENAS**  
Venas International Co., Ltd

**Regular Model****Side Opening Cover Model**

## Product Description

The I Series LED luminaire is the ideal choice for marine and hazardous applications where a linear design is required. They can be used in locations where moisture, dirt, dust, corrosion and vibration may be present, or areas where wind, water, snow or high ambient can be expected.

## Features

- 0-10V dimming
- Emergency function optional
- Compact and robust structure, excellent reliability
- Various installation ways for different applications
- Great impact resistance with IK08/IK10 certified
- Copper-free aluminum housing, great corrosion resistance and cooling performance

## Compliance

UL 844 Hazardous Locations  
Class I Division 1, Group C, D  
Class I Division 2, Group A, B, C, D  
Class II Division 1, Group E, F, G  
Class II Division 2, Group F, G  
Class III  
Class I, Zone 1, Group IIB  
Class II, Zone 21, Group IIIC  
UL 1598 Wet Locations  
UL 1598A Marine Outside Type  
UL 924 Emergency Lighting  
CSA C22.2#137:2018 Ed.2  
CSA C22.2#250.0:2021 Ed.5  
ETL (ATM for Report 105342415DAL-001/003)  
ABS  
DLC\*  
IP66/IP67  
IK08 (glass cover)  
IK10 (with wire guard)

*\* Not all product variations listed on this spec sheet are DLC qualified.  
Visit [www.designlights.org/search](http://www.designlights.org/search) to confirm qualification.*



## Application

- Power Plants
- Heavy Industrials Storage Facility
- Paper mills
- Wastewater Treatment Plants
- Loading Docks Platforms
- Offshore Environments
- Chemical Processing Facility
- Petrochemical Processing Facility
- Metallurgical Industry
- Coal Mine
- Food and Alcohol industry



## Warranty

5-Year Standard Warranty  
LED lumen Maintenance: L70> 150,000 Operation Hours@55°C

## Technical Parameter

### • Electrical

Specification	EX-20W I2YZD	EX-40W I2YZD	EX-60W I2YZD
Rated Power	20W	40W	60W
Input Voltage	100-277VAC/200-480VAC		
Input Frequency	50/60Hz		
Power Factor	> 0.95		
Emergency Time*	1.5 hours		

\*Emergency function optional.

### • Optical

Specification	EX-20W I2YZD	EX-40W I2YZD	EX-60W I2YZD
Lumen Output	2800lm	5600lm	8400lm
Lumens Per Watt	140lm/W		
CCT	2700K-7000K		
CRI	> 70		
Beam Angle	120°		
Dimming	0-10V dimming		

### • Environmental

Specification	EX-20W I2YZD	EX-40W I2YZD	EX-60W I2YZD
Ambient Temperature	-40°C to +60°C (-40°F to +140°F)		
Temperature Code	T4		

### • Mechanical

Specification	EX-20W I2YZD	EX-40W I2YZD	EX-60W I2YZD
Housing Material	Copper-free aluminum		
Diffuser	Tempered glass		
Hardware	Stainless steel		
Protection	IP66/IP67/IK08 (glass cover)/IK10 (with wire guard)		
Mounting	Ceiling, Pole, Wall, Chain, Pendant		
Cable Entries	Regular Model	Top: 3/4 NPT(standard), 1/2 NPT Two sides: 3/4 NPT(standard), 1/2 NPT	
	Side Opening Cover Model	Top: 3/4 NPT(standard), 1/2 NPT Two sides: 3/4 NPT(standard), 1/2 NPT	

## Technical Parameter

### • Electrical

Specification	EX-40W I4YZD	EX-60W I4YZD	EX-80W I4YZD	EX-100W I4YZD	EX-120W I4YZD
Rated Power	40W	60W	80W	100W	120W
Input Voltage	100-277VAC/200-480VAC				
Input Frequency	50/60Hz				
Power Factor	> 0.95				
Emergency Time*	1.5 hours				

\*Emergency function optional.

### • Optical

Specification	EX-40W I4YZD	EX-60W I4YZD	EX-80W I4YZD	EX-100W I4YZD	EX-120W I4YZD
Lumen Output	5600lm	8400lm	11200lm	14000lm	16800lm
Lumens Per Watt	140lm/W				
CCT	2700K-7000K				
CRI	> 70				
Beam Angle	120°				
Dimming	0-10V dimming				

### • Environmental

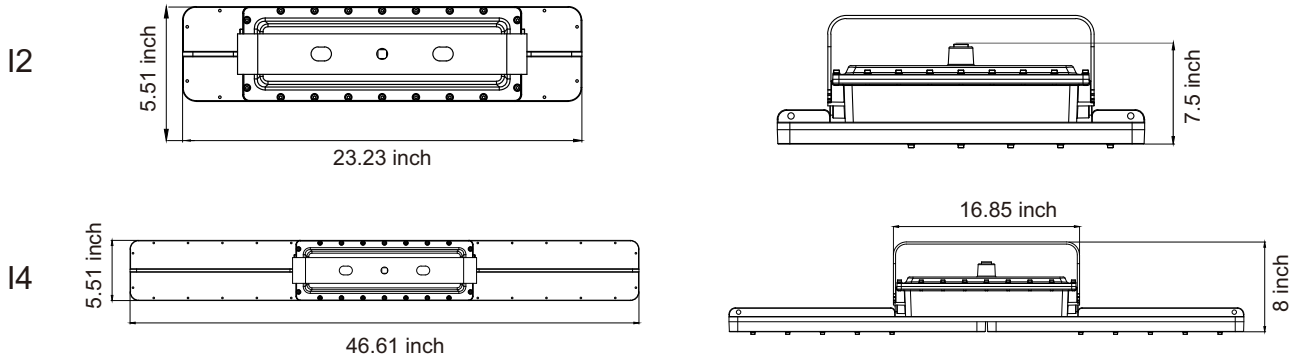
Specification	EX-40W I4YZD	EX-60W I4YZD	EX-80W I4YZD	EX-100W I4YZD	EX-120W I4YZD
Ambient Operating Temperature	-40°C to +60°C (-40°F to +140°F)			-40°C to +40°C (-40°F to +104°F)	
Temperature Code	T4			T4	

### • Mechanical

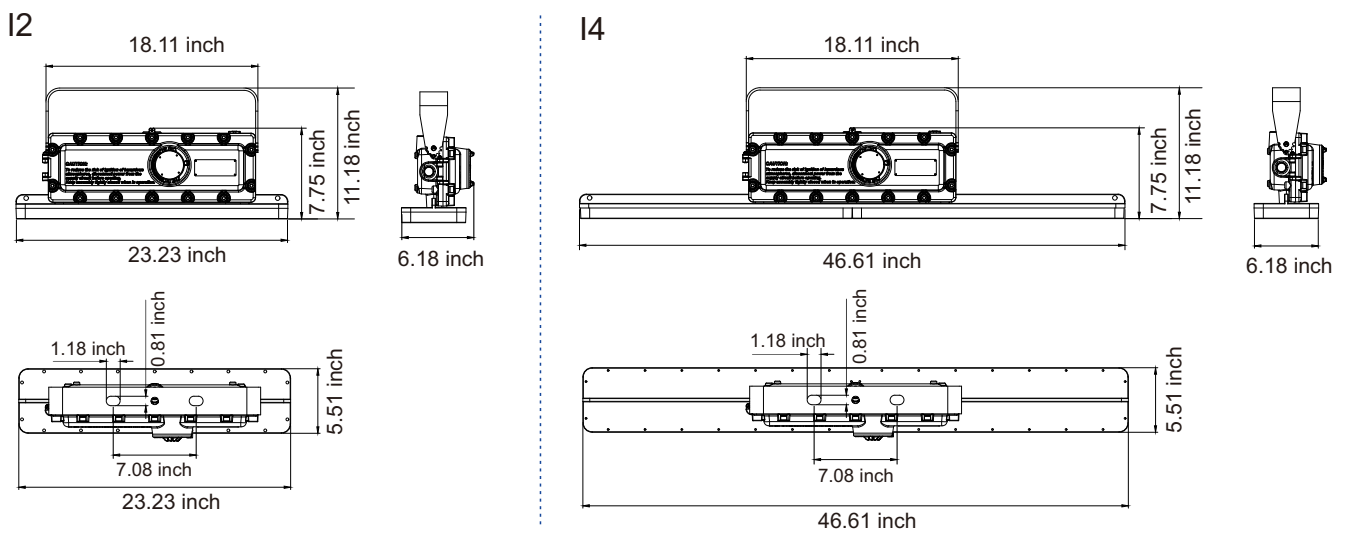
Specification	EX-40W I4YZD	EX-60W I4YZD	EX-80W I4YZD	EX-100W I4YZD	EX-120W I4YZD
Housing Material	Copper-free aluminum				
Diffuser	Tempered glass				
Hardware	Stainless steel				
Protection	IP66/IP67/IK08 (glass cover)/IK10 (with wire guard)				
Mounting	Ceiling, Pole, Wall, Chain, Pendant				
Cable Entries	Regular Model	Top: 3/4 NPT(standard), 1/2 NPT Two sides: 3/4 NPT(standard), 1/2 NPT			
	Side Opening Cover Model	Top: 3/4 NPT(standard), 1/2 NPT Two sides: 3/4 NPT(standard), 1/2 NPT			

## Product Dimensions

### Regular Model



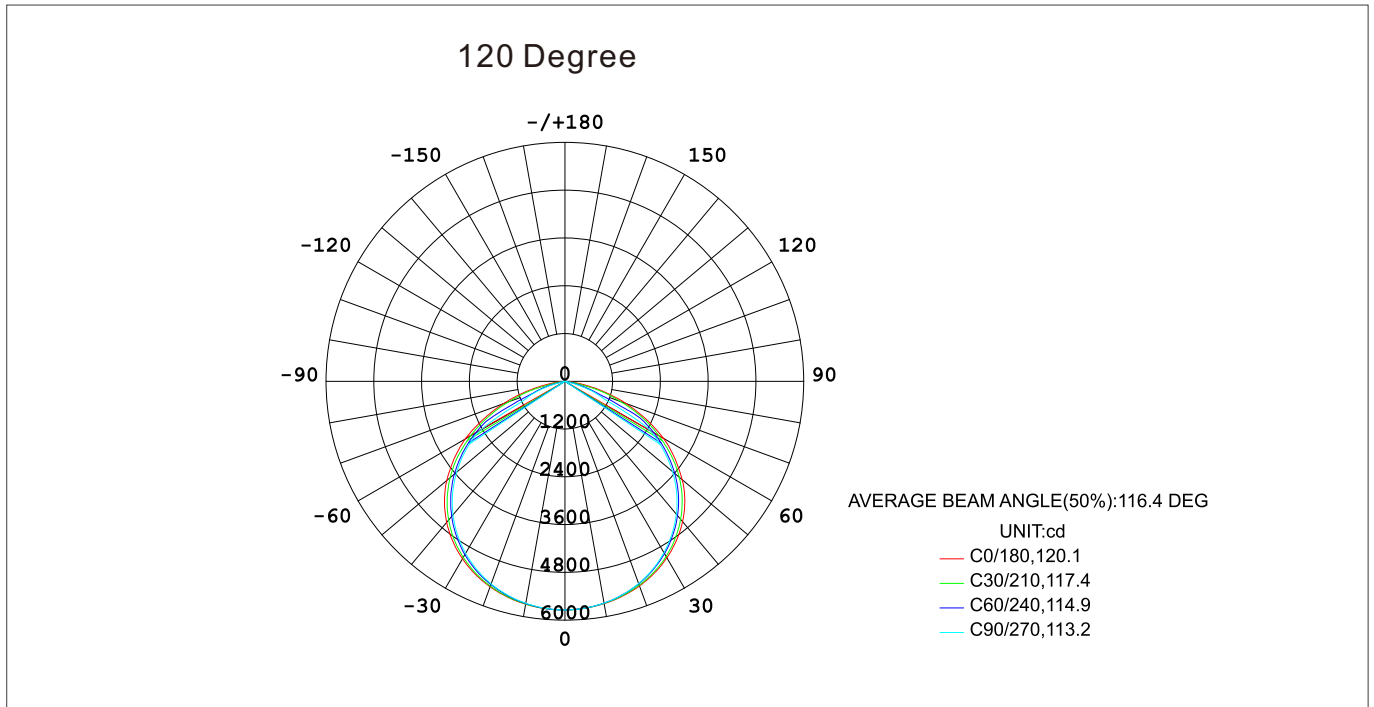
### Side Opening Cover Model



### • Packing Information

Model	Net Weight	Gross Weight	Quantity/Carton	Package Dimensions (LxWxH)
I2 (Regular)	26.46 lb	28.66 lb	1 pc	30.31x13.39x10.43 inch
I4 (Regular)	40.79 lb	47.40 lb	1 pc	53.94x14.17x11.42inch
I2 (Side Opening Cover Model)	33.07 lb	35.27 lb	1 pc	30.31x13.39x10.43 inch
I4 (Side Opening Cover Model)	40.79 lb	47.40 lb	1 pc	53.94x14.17x11.42inch

## Photometric



## Ordering Guide

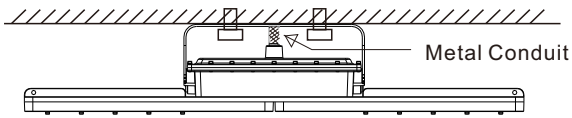
EX - yyyW X Y Z D - 1

1
2
3
4
5
6
7

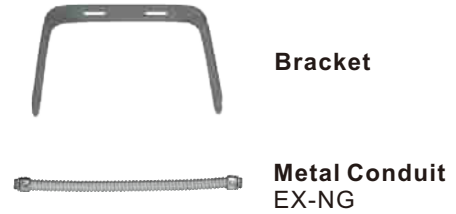
1. Product Categories	2. Wattage	3. Shell Shape Series	4. Dimming or Not
Explosion Proof Light	I2: 20/40/60W I4: 40/60/80/100/120W	“X” Can be: I2 (2=2FT) I4 (4=4FT)	“Y” Can be: D: dimmable N: non-dimmable
5. Color Temperature		6. Beam Angle	7. Optional
“Z” can be 27 to 70 denotes 2700K to 7000K, and each 100K gradually increase, max 7000K		“D” can be: D120: 120°	“-1” NA (optional)

## Mounting Methods and Accessories

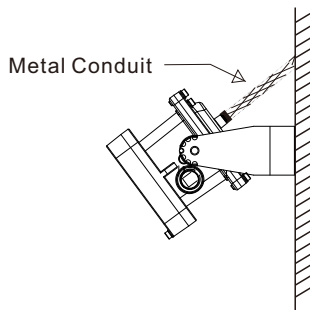
- Option 1: Ceiling Mounting



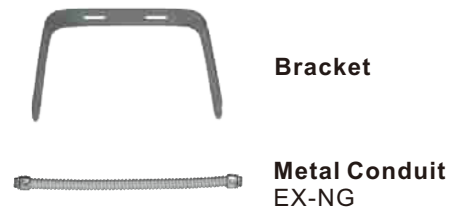
- Accessories



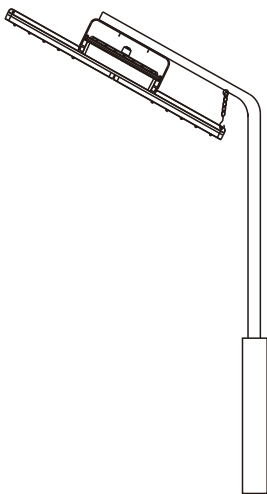
- Option 2: Wall Mounting



- Accessories



- Option 3: Pole Mounting



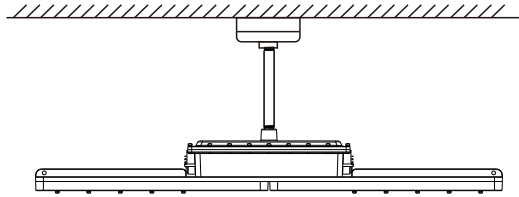
- Accessory





## Mounting Methods and Accessories

### • Option 4: Pendant Mounting



### • Accessories

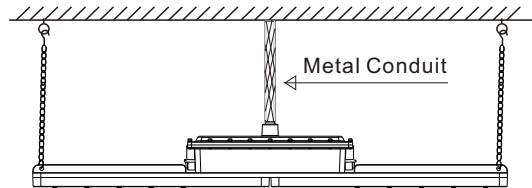


**Junction Box**  
EX-HD51-KB1



**Pole**  
Ex-Straight Pipe

### • Option 5: Chain Mounting



### • Accessories



**Pendant Chain**  
Ex-Straight Chain



**Metal Conduit**  
EX-NG