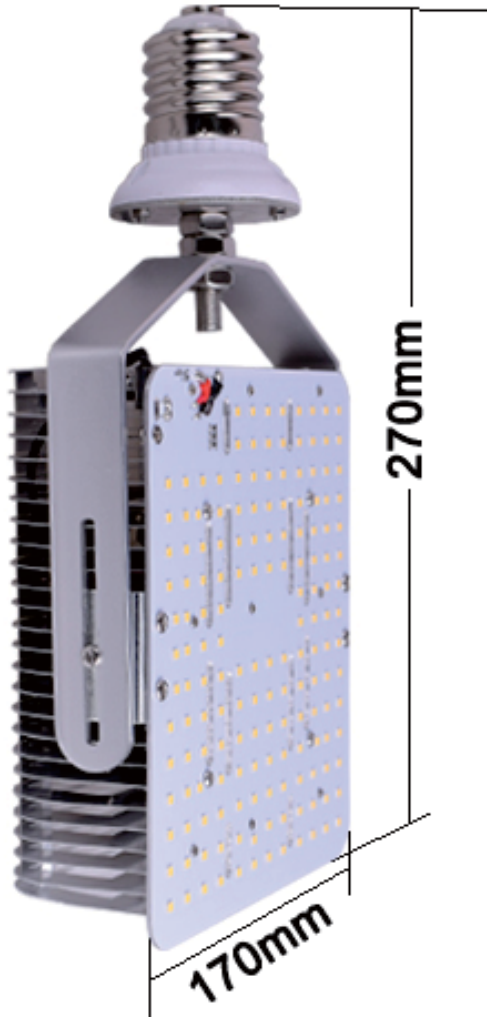


E39/E26 LED Retrofit Kit

RK-

LED Retrofit kit is designed to meet the needs for indoor and outdoor lighting fixtures retrofit (both horizontal and vertical mount application), to just replace the inside MH/ HPS lamp, while keep the fixture remain.



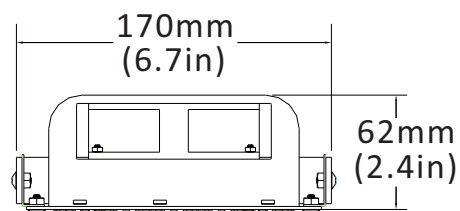
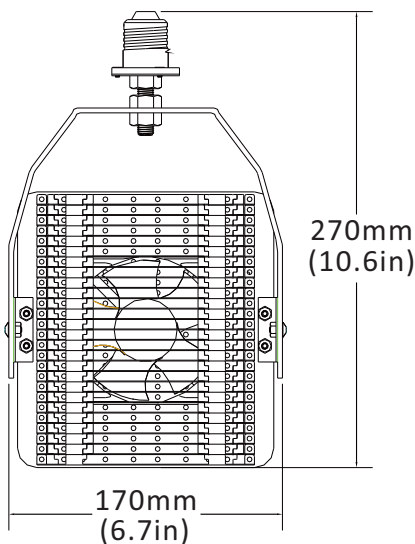
Horizontal



Vertical



Dimension

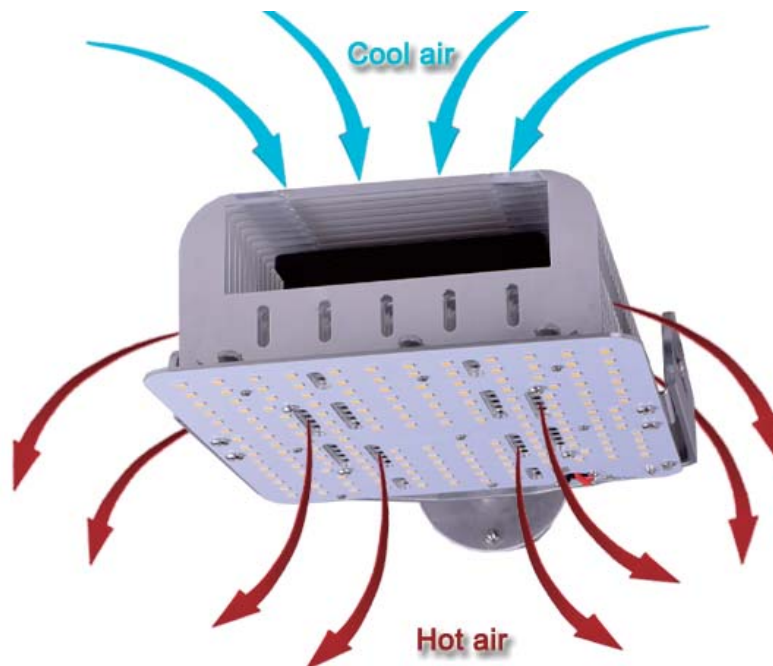


Why us?

Would you like to save more money?



From our 10 years experience, many clients has problem with these retrofit kit in the current market, most failures can be bolt down to heat problem or driver problem. However, we are making the change to improve. It's credit!



Specification data

Item No.	Watts	Power Factor	Luminous Flux (130lm/w)	Luminous Flux (150lm/w)	Replacement	CRI
RK-60W	60W	270*170*62mm	78,00lm	9,000lm	105-175w CFL, HID	Ra>83
RK-80W	80W		10,40lm	12,000lm	175-250w MH, HPS	Ra>83
RK-100W	100W		13,000lm	15,000lm	250-300w MH, HPS	Ra>83
RK-120W	120W		15,600lm	18,000lm	300-400w MH, HPS	Ra>83
RK-150W	150W		19,500lm	22,500lm	400-450w MH, HPS	Ra>83

- 130lm/w or 150lm/w
- Universal AC input 100-277Vac or 200-480Vac, PF>0.95
- Color temperature: 2700K, 3000k, 4000k, 4500k, 5000k, 5700k, 6000k, 6500k
Amber, Red, Green, Blue.
- Life time: >50,000 hours
- Warranty: 5 years factory warranty

Applications

This LED kit can be applied for all different shoebox fixtures, Cobra street fixture, Wall pack fixtures to replace MH HPS HID lamp.(including enclosed applications)



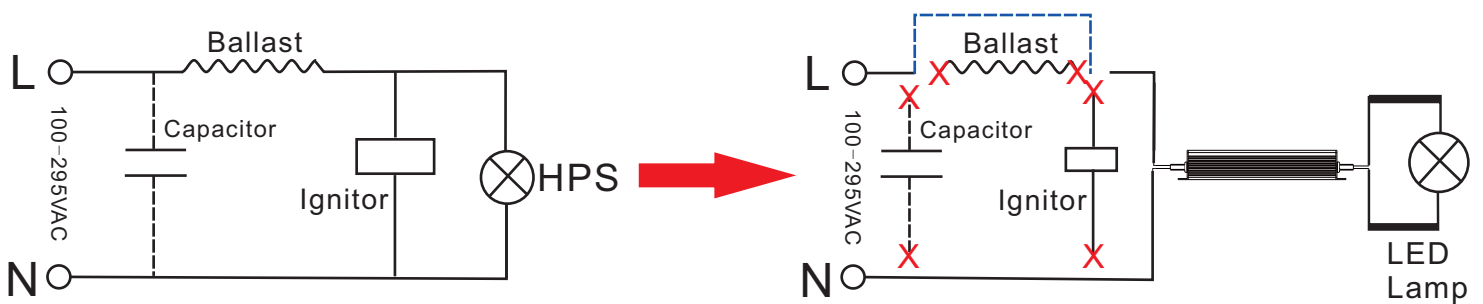
Projects



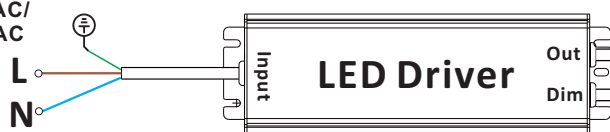
Installation

1. Turn off the Power.
2. Carefully remove the existing Lamp bulb.
3. Disconnecting the input and output leads of the Ballast, and remove the ballast. Please refer to below the schematic diagram.
4. Mounting the LED Driver in the same place as ballast, drilling the screws holes may apply.
5. Inset the retrofit kit to the E39 base, Adjust the retrofit head angle and position so that it provides the best lighting.
6. Connecting the Retrofit kit leads to the output leads of LED driver with suitable size of Marrette connectors, and then connecting the input leads of LED Driver to the supply wires with suitable size of Marrette connectors carefully.
7. Double check the Input and Output connection of LED Driver, and make sure all connections are correct and well connected.
8. Turn on the Power.

Replace HPS/MH



100-277VAC/
200-480VAC



Please notice the retrofit kit must be connected the External driver before turn on the power(electricity)!



Please remove any ballast or capacitor parts before doing the retrofit.