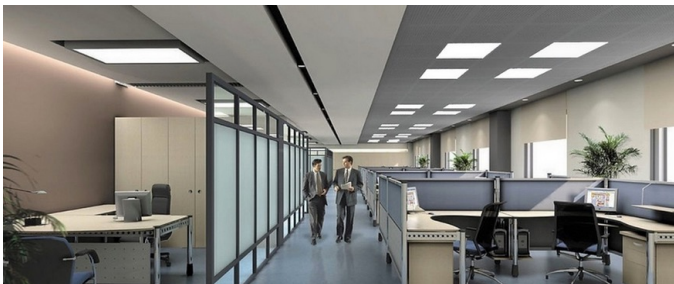





LED Panel Lights



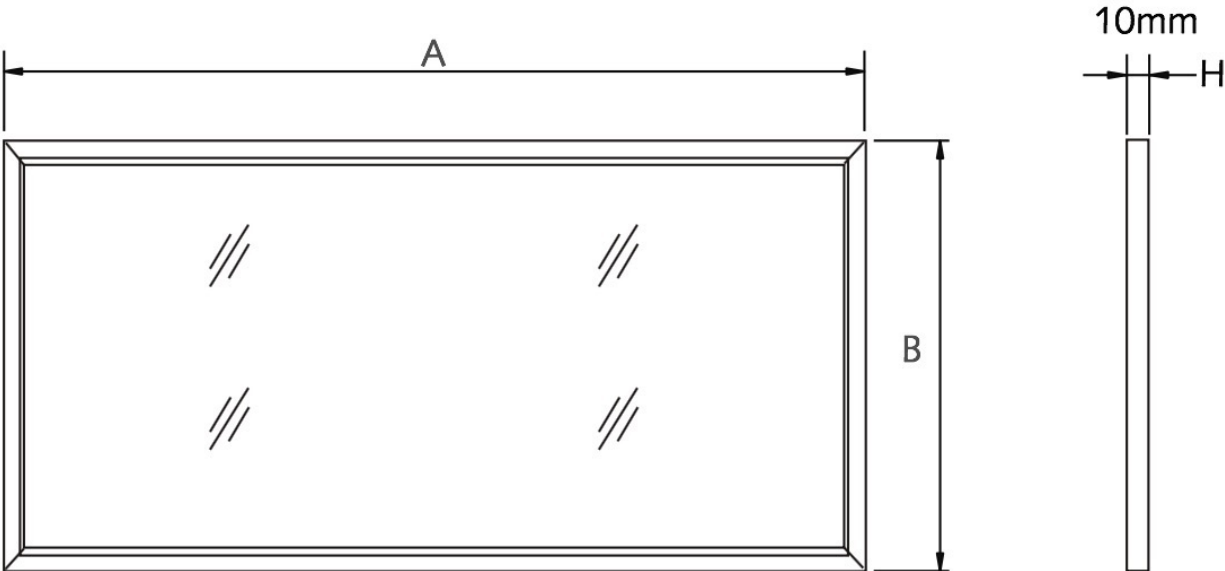
“The greatest replacement to fluorescent troffers.....” LED Today



Specifications

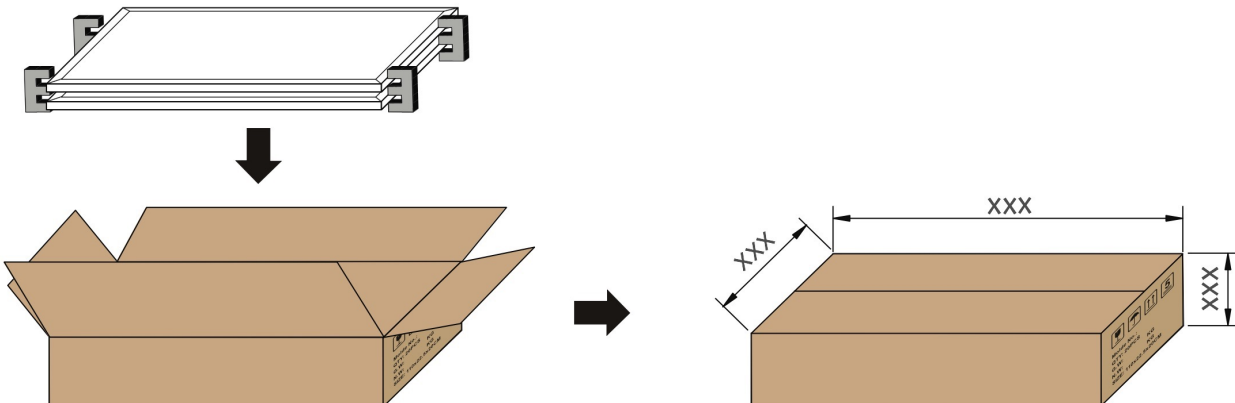
Wattage:	40W	40W	75W
Size:	2x2ft	1x4ft	2x4ft
Model Number:	AE-L-PL22-40	AE-L-PL14-40	AE-L-PL24-75
DLC #:	BL-P4-40W	BL-P1-40W	BL-P7-75W
DLC Partner:	BRAVOLED		
UL & CUL Number	E359062		
Certifications:			
Voltage:	120-277V		
Power Factor:	0.98		
Frequency:	50/60Hz		
Lumens Efficiency:	100LM/W		
Kelvin (CCT):	4000K/5000K		
CRI:	80+		
LM70 Life Time:	100,000		
Dimming Availability:	Yes (0~10V)		
Warranty:	5 Years		
Temperature Range:	-34°C ~ 54°C (-30°F ~ 120°F)		
Weight:	5.5KG 12.0LB	5.5KG 12.0LB	11KG 24.0LB
Packaging Dimensions:	655*655*115mm 25.8*25.8*4.5INCH	1275*355*115mm 50.2*14.0*4.5INCH	1275*665*120mm 50.2*25.8*4.7INCH
Replacement Wattage:	100W	100W	180W

Dimensions



SIZE	A x B(mm)
2 x 2	603x603
1 x 4	1210x300
2 x 4	1210x603

Package



User Guide

Note:

Please read this entire manual to fully understand and safely use the luminaire. The products can be used at the voltage of 100-277V AC, 50/60HZ, suitable for indoor and outdoor, moisture proof and dust proof. Specifications are subject to change without notice. Please visit www.altechefficiency.com for the most recent product information.

Unpacking:

1. Unpack and carefully examine the product.
2. Report any damage and save all packing materials if any part(s) were damaged during shipping.
3. Do not attempt to use the fixture if it is damaged.

Before You install:

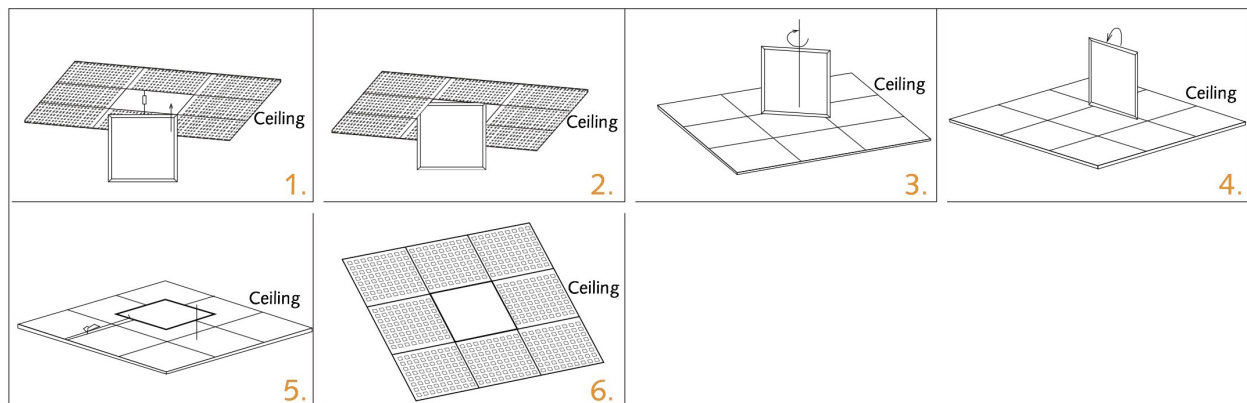
1. Before installing any light fixtures, read and understand all cautions, warnings, instructions and product labels. Failure to do so can result in injury and/or void the warranty.
2. CONSULT A QUALIFIED ELECTRICIAN TO ENSURE CORRECT BRANCH CIRCUIT CONDUCTOR.
3. The product should be installed and operated by a qualified electrician or technician in accordance with relevant local codes.
4. Risk of electric shock. Ensure that main power source is off when wiring or soldering the sections of the product.

Maintenance:

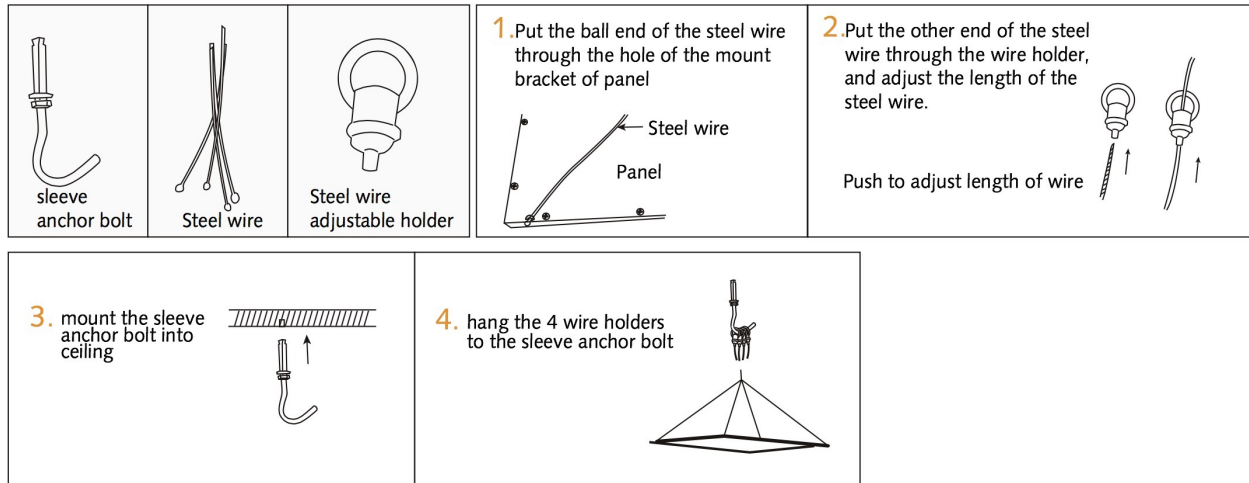
1. Disconnect the product from the power supply prior to cleaning.
2. Use a dry or slightly moistened cloth for cleaning.
3. Never use any chemicals or abrasive materials for cleaning.

Installation Instructions:

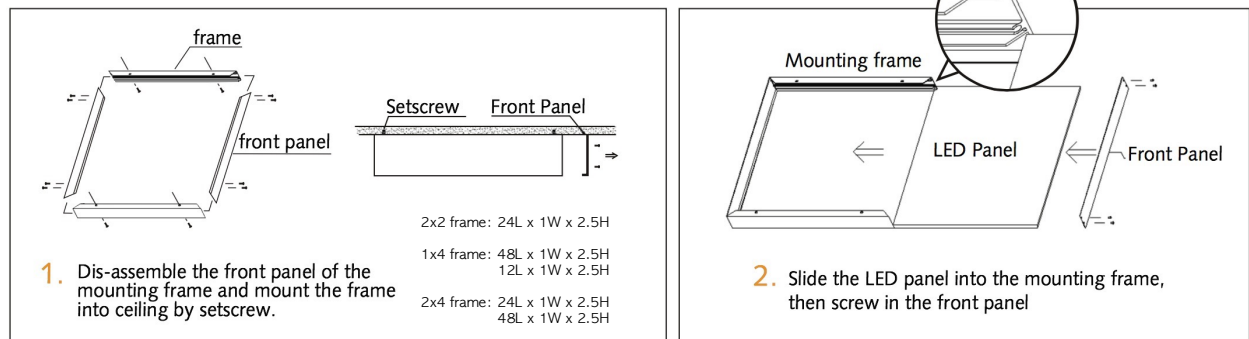
Recessed Mount



Suspension



Ceiling Mount



Wiring Diagram (0-10V Dimmable Panel)

