



Description

Altech's Decade Series Wall Pack LED fixture is perfect to replace all of your traditional HID and CFL wall packs. The Anti-UV Polycarbonate Lens will not crack or yellow under sunlight.



Applications

Wet Environments
Security Lighting

Tunnel Roads
Alleyways

Wall-side Pathways
Underground Parking

Details

IP Rating: IP65
Materials: Aluminum
Lens: Anti-UV Polycarbonate Lens
L70 Life: 150,000 Hours
Warranty: 10 Years
CRI: 80+
Qualification: UL, DLC 5.1, FCC, CE, RoHS
Chip Man.: Philips

Electrical

Power Factor: 0.9
Frequency: 50/60 Hz
Max THD: 12%
Operating Temp.: -40° F to 130° F
-40° C to 54° C
Dimming: 0-10V Dimming is optional

MODEL/DLC #:	U-IWP-28-50	U-IWP-40-50	U-IWP-60-50	U-IWP-90-50
Color Temp:	5000K	5000K	5000K	5000K
Input Wattage:	28W	40W	60W	90W
Lumens:	3,724 lm	5,320 lm	7,980 lm	11,970 lm
Equivalent:	125W MH	200W MH	250W MH	400W MH

Ordering Information

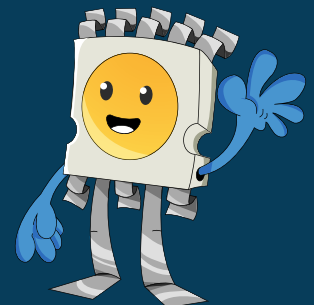
Example: U-IWP-60-50-1-1-W-P-BZ

Item	Wtg	Color Temp.	Distribution	Input Voltage	Mounting	Options	Finish
U-IWP	28 40 60 90	30 - 3000K 40 - 4000K 50 - 5000K* 57 - 5700K	1 - 120°*	1 - 100-277V* 2 - 480V	W - Wall*	S - 3 Side Glare Shields DIM - Dimming P - Photocell MS - Motion Sensor EI - Emergency Inverter (X)P - (X)-Pin Twist-Lock Base (X = select one: 3,5, or 7) WP(X) - Additional Whip (X = specify total length in ft.; 2' is standard)	BZ - Bronze* BL - Black WH - White GR - Gray SP - Other

*Standard

Additional Notes

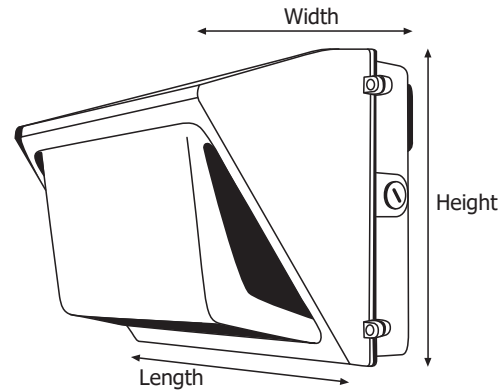
- 4000K and 5000K, 100-277V are stocked locally, check for ETA's
- Step-down dimming motion sensors are for 100-277V models only
- Additional charges apply for items under "Options" column and non-standard colors
- Not all product variations listed on this page are DLC Qualified. To ensure that a specific model is qualified, visit www.designlights.org/search.



Lumen Output

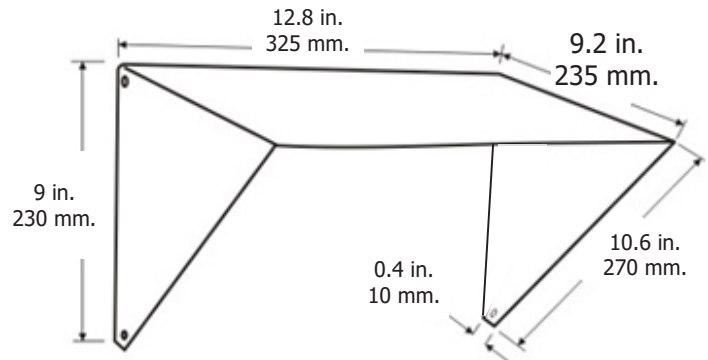
System Watts	CCT	lm/W	Lumens
28	3000K	125	3,500
	4000K	129	3,500
	5000K	133	3,724
40	3000K	125	5,000
	4000K	129	5,160
	5000K	133	5,320
60	3000K	125	7,500
	4000K	129	7,740
	5000K	133	7,980
90	3000K	125	11,250
	4000K	129	11,610
	5000K	133	11,970

Fixture Dimensions and Weight



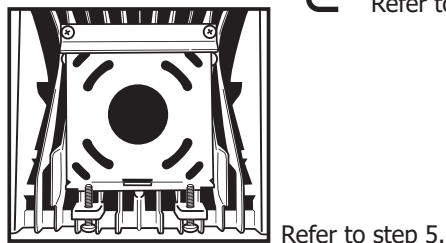
Length	Width	Height	Weight
14 in.	7.5 in.	9 in.	10.7 lb.
365 mm.	191 mm.	229 mm.	4.8 kg.

Light Shield Dimensions



Installation

1. Disconnect all power sources (**VERY IMPORTANT**).
2. Loosen/Unscrew the holding screws and back plate with rubber gasket.
3. Thread SO cord through rubber gasket and connect the wires correctly (via waterproof connectors) **Brown is live. Blue is neutral. Green/Yellow is ground.**
4. Mount the back plate with rubber gasket on wall with expansion screws.
5. Mount the fixture on the back plate.
6. Tighten the bottom holding screws and level appropriately.
7. Installation complete.



Accessories and Options



Photocell (optional)



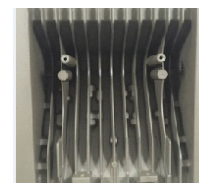
Light shield (optional)



Multi-Level Motion Sensor (optional)



Phenix Internal Emergency Inverter (18470X-2) (optional)



External heat sink designed specifically for this wall pack. Not only does it extend the life span, but also makes it suitable for warmer locations.