

Description

The U-VT4 Vapor Tight is designed for low to medium mounting heights. Ideal for applications where dirt, dust, humidity, moisture and cold temperatures are present. Can be pendant or flush mounted.



Not all product variations listed on this page are DLC qualified. To ensure that a specific model is qualified, visit www.designlights.org/search

Applications

Freezers / Coolers
Parking Garage

Toll Booths
Security Lighting

Pathways
Tunnels

Specs

Efficacy 130 lm/W
Input Voltage 100-277V
Finish Gray

Details

IP Rating IP67
Materials Aluminum and Polycarbonate
Lens Frosted Polycarbonate
L70 Life 70,000 Hours
Warranty 5 Years
CRI 80+
Qualification UL, DLC 5.1, FCC, CE, RoHS
Chip Man. Philips
Whip Length (ft) 2.5'

Electrical

Power Factor 0.99
Frequency 50/60 Hz
Max THD 13%
Operating Temp. -40° F to 130° F
-40° C to 54° C
Dimming 0-10V

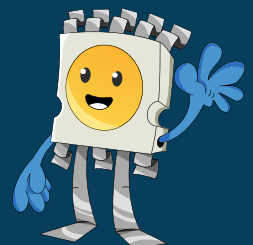
LED VAPOR TIGHT INDUSTRIAL SERIES

Ordering Information

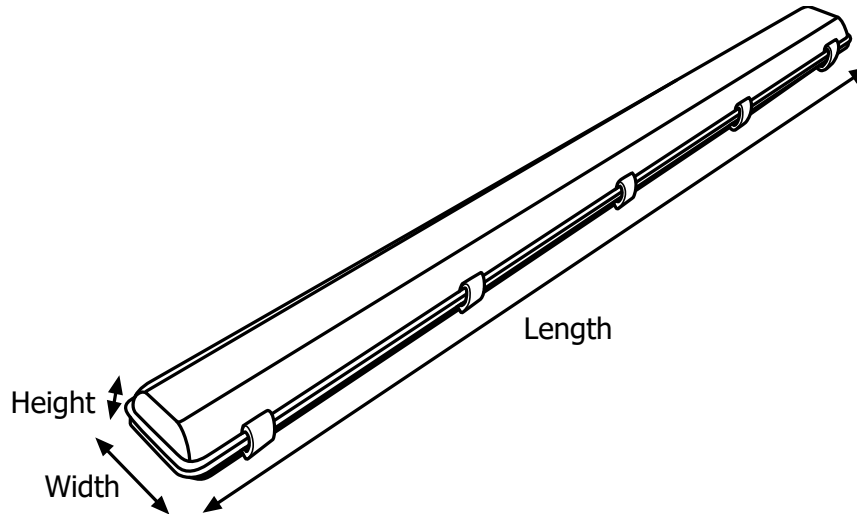
ORDERING/DLC #:	Wattage	CCT	Lumens	Equivalent
U-VT4-40-30	40W	3000K	5,200 lm	144W FL
U-VT4-40-40	40W	4000K	5,360 lm	144W FL
U-VT4-40-50	40W	5000K	5,520 lm	144W FL
U-VT4-60-30	60W	3000K	7,500 lm	216W FL
U-VT4-60-40	60W	4000K	7,740 lm	216W FL
U-VT4-60-50	60W	5000K	7,980 lm	216W FL

Additional Notes

- 4000K and 5000K, 100-277V are stocked locally, check for ETA's
- Altech Electronics reserves the right to make periodic improvements to our product specs



Fixture Dimensions and Weight



Length	Width	Height	Weight
50 in.	5.8 in.	4.2 in.	5.3 lb.
1,270 mm.	147 mm.	4.2 mm.	2.4 kg.

Mounting

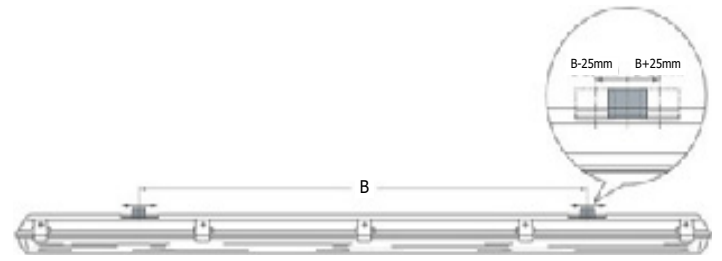
Ceiling Mount



Suspension Mount



Universal Stainless Steel Mounting Bracket



Accessories and Options

Phenix Internal Emergency Inverter (18470X-2) (optional)



Compatible with controls and integrations



Wiring Precaution

The international color scheme is brown (hot), blue (neutral) and green/yellow (ground) wiring. Always disconnect power when installing or troubleshooting. Consult a licensed technician.

