

# Explosion Proof LED Light



## ZHEP-J-40

- Material: Die Cast Aluminum
- Light Color option: 5700/4000/2700K  
Custom color
- LENS: Super Clear Tempered Glass

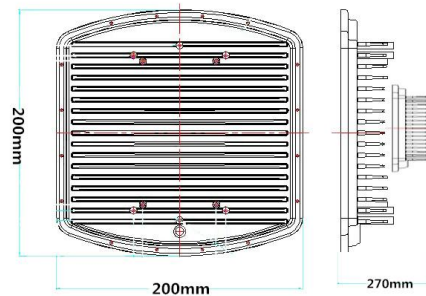
### ELECTRICAL CHARACTERISTICS

- Wide AC input: 90-305 VAC
- Power Factor: ~0.98
- Total Harmonic Distortion: < 10%
- Surge protection: IEC/EN 61000-4-5
- EMC test standard
- Meanwell HLG Series (Taiwan Excellence 2011 award).

## 30W Explosion Proof LED Light

### DIMENSIONS

LENGTH : 200mm  
 WIDTH : 200mm  
 HEIGHT : 270mm  
 WEIGHT: 4 KG



### LED LIGHT ENGINE

- High quality LM80 Certify Chip
- Efficacy : up to 150lm @ 350mA (per watt)
- Rated Life of 100,000+ hrs
- Operation temp: -30 °C to +50 °C
- No toxic chemicals/Rohs compliant
- 70%-80% saving compare to HPS/MH

### PRODUCT FEATURE

- 5 years warranty
- Highest Ingress Protection rating : IP68

### INSTALLATION

- Easy installation – plug and play
- Wall mount/Celing mount bracket
- Adjustable Angle

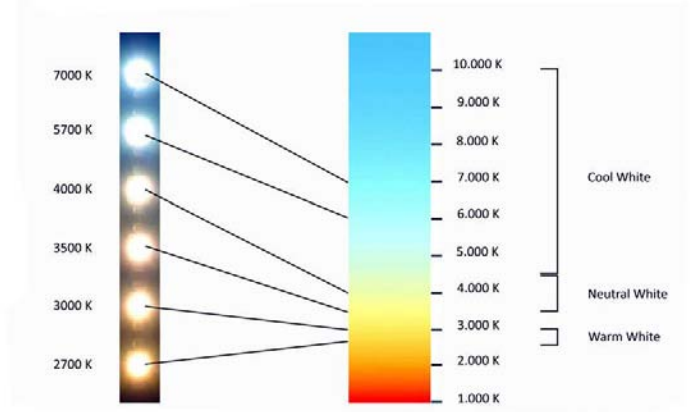
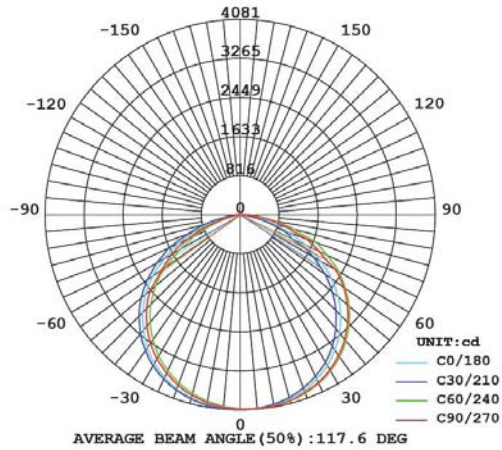
### QUALIFICATION

- ATEX: Zone 1&Zone 2
- UL844 : Class 1, Division 2
- SAA&CTICK
- CE&ROHS
- LCP

Note	ITEM NO.	DESCRIPTION	TOTAL POWER	ANGLE	NOMINAL LUMENS	DRIVE CURRENT	# OF LEDS	SYSTEM EFFICACY
UL/CUL/P SE/SAA/ CE Certify	ZHEP-J40	Replacing 150w HPS	30	120	3480	350 mA	24	116 LM/W

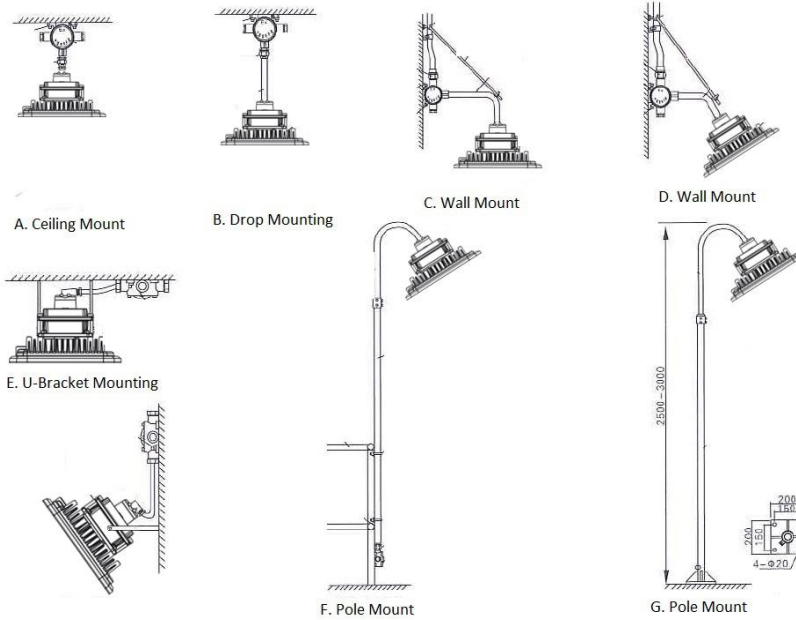
## PHOTOMETRIC CURVE

## COLOR TEMPERATURE



120°x120° (40W/100W/185W)

## INSTALLATION



- Fixture is equip with Bracket
- Connection outlet conduit: 3/4" NPT
- Conduit and pole are not included in products.
- All installation must conduct by qualify electrician.
- Seal must be placed in each conduit

## **MOUNTING KITS OPTIONS**

### **1. U shaped bracket**



### **2. Adjustable Wall/Ceiling Mount Plate**



### **3. High bay mount hook**



### **4. Street Light Bracket**

