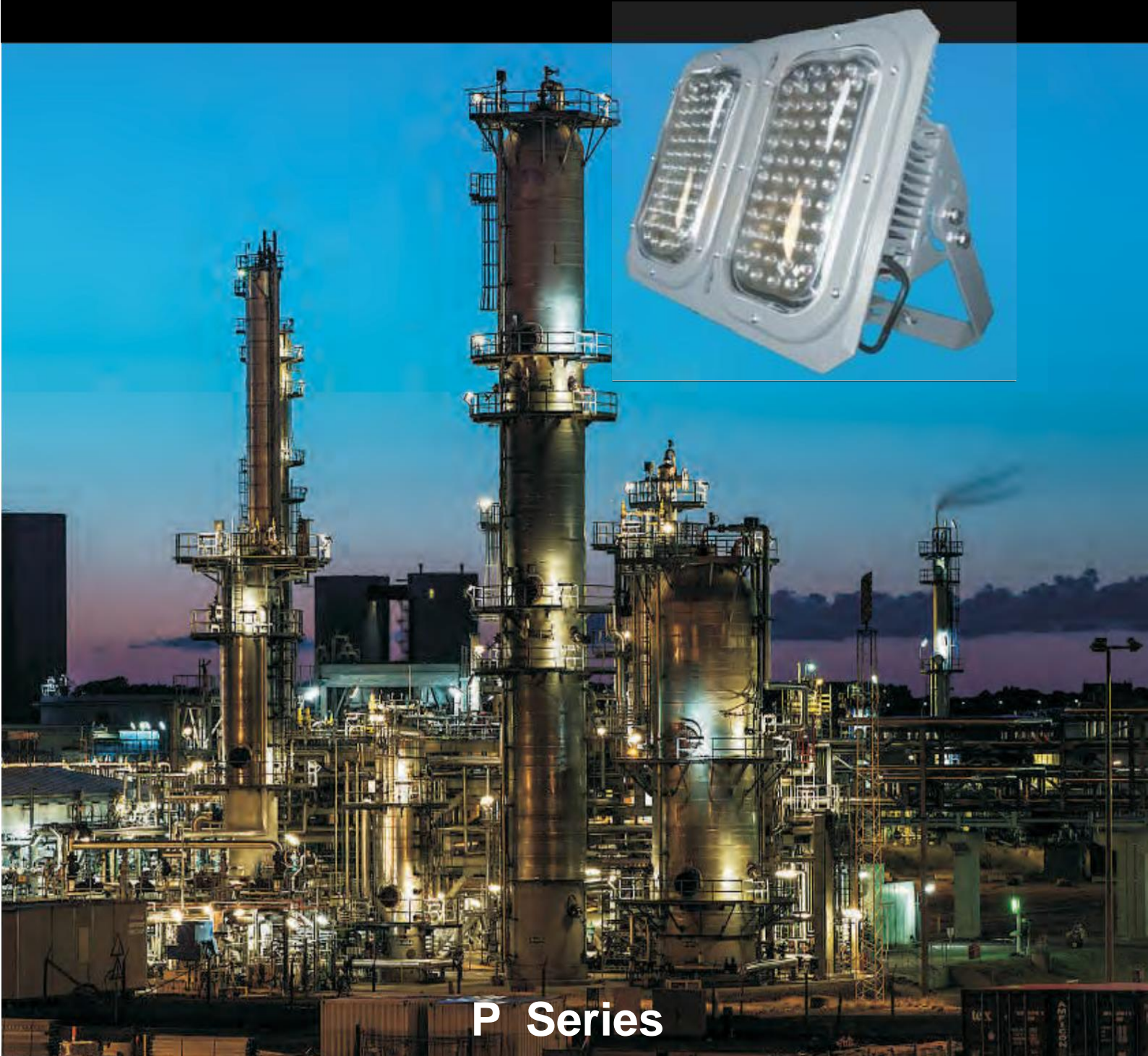




HAZARDOUS LOCATIONS LIGHT SPECIFICATION



P Series





Safe.
Reliable.
Efficient.

Ratings and Certifications

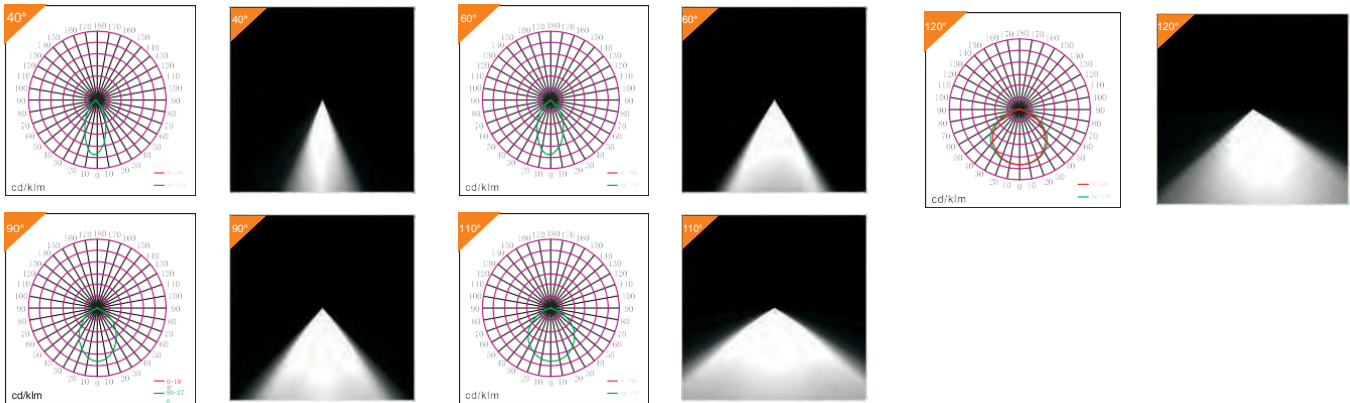
- NEMA 4X, IP66
- UL1598/UL1598A/UL844
- CSA C22.2 No.137 CSA C22.2 No.250.0
- Class I Division 2 Groups A, B, C, D
- UL Compliant ABS Compliant
- Marine and Wet Locations
- IECEX
- ATEX
- 5 years or other warranty period specified in agreement
- L70 rating for more than 150000 hours

Applications

This luminaire can be used as flood light, wall pack and area light which can provide general illumination in hazardous locations, such as:

1. Oil refineries and Gas station
2. Oil and gasoline loading dock
3. Distillery
4. Painting manufacturing plant
5. Pumping station
6. Mine
7. Vessel
8. Other high humidity, high temperature, dusty location

Professional Light Distribution



Typical model specification

Product Number	Wattage	Color	Voltage	Lumens	Working Hours	CRI
EX-FL-80W	80	2700K-6400K	AC100-277V	8000	5 years	70
EX-FL-120W	120	2700K-6400K	AC100-277V	12000	5 years	70
EX-FL-150W	150	2700K-6400K	AC100-277V	15000	5 years	70
EX-FL-200W	200	2700K-6400K	AC100-277V	20000	5 years	70
EX-FL-240W	240	2700K-6400K	AC100-277V	24000	5 years	70

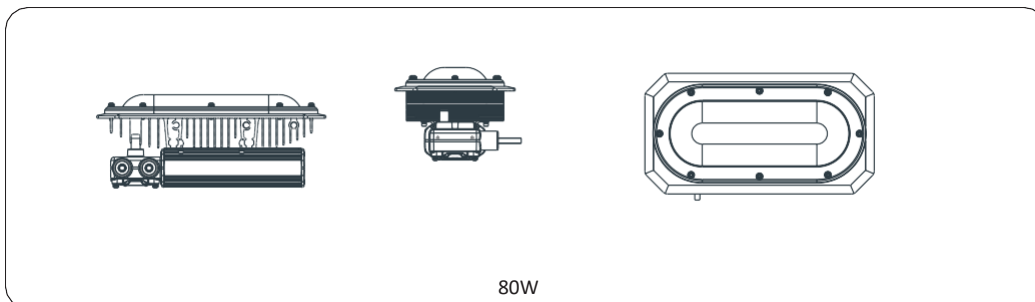
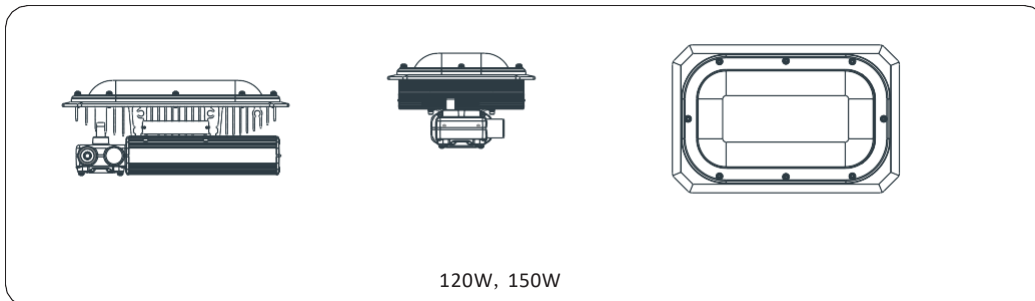
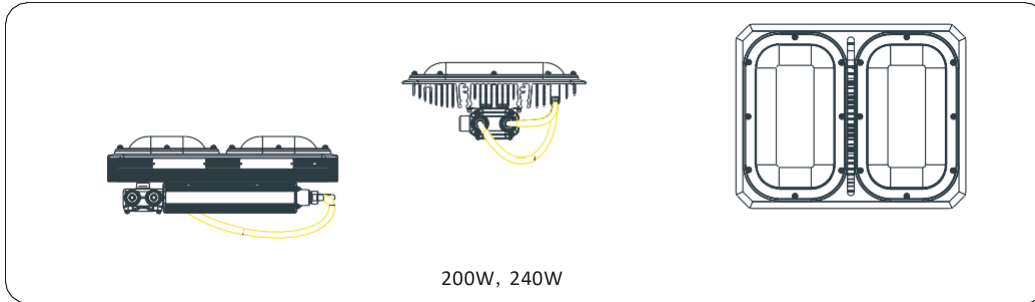
Features

- High efficacy: up to 100lm/W
- CRI>70
- Surface mounting and pendant installation
- Wide and narrow optics for uniform illumination
- Copper free aluminum
- High vibration resistance

Mechanical information

	80W Size (in)	120/150W Size (in)	200/240W Size (in)
AC100-277V models	15.8x6.4x6.7	15.8x6.6x8.7	16.7x6.6x13.9

Structure diagram



Mounting method

(unit:mm)

Power(W)	240	200	150	120	80
L(mm)	520	520	420	420	420

Pole mount

(unit:mm)

Power(W)	240	200	150	120	80
L(mm)	520	520	420	420	420

Stanchion mount

(unit:mm)

Power(W)	240	200	150	120	80
L(mm)	520	520	420	420	420

Wall mount

(unit:mm)

M10*1.5

200W, 240W

Pendant mount

(unit:mm)

Buckle

Power(W)	80W	120W	150W
w(mm)	110	190	190

80W, 120W, 150W

(unit:mm)

Power(W)	80	120	150
W(mm)	210	260	260
W1(mm)	203	253	253

Pipe clamp

Warranty

Only offer 5 year's warranty or any other warranty period specified in the contract for the product from the date of purchase:

- Invoice or shipment bill is required to claim the warranty.
- The warranty policy only requires manufacturer to repair the defective product or send substitute for replacement.
- Installation labor, electricity cost and other related cost will not be covered by the manufacturer warranty policy.
- Warranty doesn't cover the defect caused by inappropriate use, especially if directions of the instructions for use are not observed, normal abrasion as well as failures which affect the value or use of the product insignificantly.