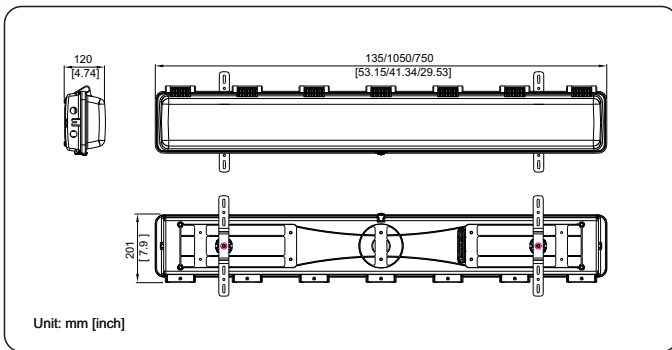




| Product Number | Wattage | Color Temp. | Voltage | Lumens | Warranty | CRI |
|----------------|---------|-------------|------------------|--------|----------|-----|
| EX-20W R2YZDA | 20 | 4000K-5700K | 100-277/200-480V | 2800 | 5 years | 70 |
| EX-40W R2YZDA | 40 | 4000K-5700K | 100-277/200-480V | 5600 | 5 years | 70 |
| EX-50W R3YZDA | 50 | 4000K-5700K | 100-277/200-480V | 7000 | 5 years | 70 |
| EX-60W R3YZDA | 60 | 4000K-5700K | 100-277/200-480V | 8400 | 5 years | 70 |
| EX- 50W R4YZDA | 50 | 4000K-5700K | 100-277/200-480V | 7000 | 5 years | 70 |
| EX- 60W R4YZDA | 60 | 4000K-5700K | 100-277/200-480V | 8400 | 5 years | 70 |
| EX- 72W R4YZDA | 72 | 4000K-5700K | 100-277/200-480V | 10800 | 5 years | 70 |

“Q1,Q2”=Product code, “Y”=D or N:Dimmable or non-dimmable “Z”= CCT, from 4000~5700K “D”=Beam angle, D40 for 40°,D60 for 60°,D90 for 90°, D120 for 120° A for glass info. blank for flat glass, C for spherical glass.

Dimensions



80W/120D

| | Center Beam fc | Beam Width | |
|------|----------------|------------|-------|
| 17ft | 14fc | 51ft | 51ft |
| 34ft | 3fc | 103ft | 101ft |
| 51ft | 2fc | 154ft | 153ft |
| 68ft | 0.8fc | 256ft | 255ft |
| 85ft | 0.6fc | 307ft | 306ft |

■ Vert, Spread; 120°
■ Horiz, Spread; 120°

Approvals

| | |
|--|---|
| Marking Atex | II 2GD Ex db eb mb op is q IIC T5/T4 Gb Ex tb op is IIC T80 Db IP66 |
| Marking IECEX | Ex db IIB T6 Gb Ex db IIIC T80 Gb IP66 |
| Marking UL844 <small>(North American)</small> | Class I, Division 2, Groups A, B, C, D Class II, Division 1, Groups E, F, G Class II, Division 2, Groups E, F, G Class III |
| Marine Marking | UL 1598A ABS and DNV Type Approved |
| Other Rating | IP 66 IK 10 |

Installation

