

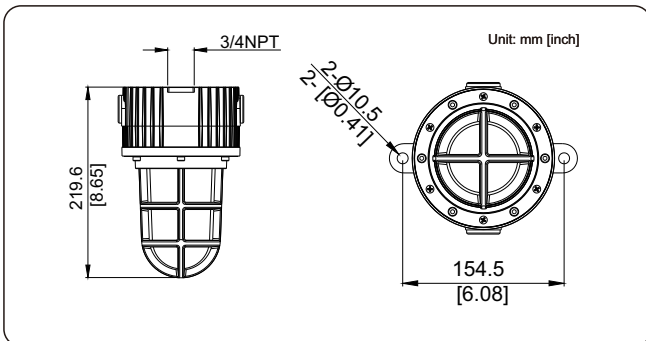


Basic Data

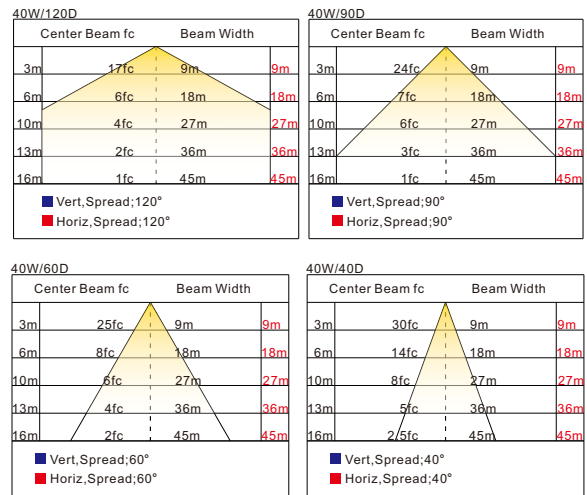
Product Number	Wattage	Color Temp.	Voltage	Lumens	Warranty	CRI
EX-10W OYZDA	10	4000K-5700K	100-277/200-480V	1400	5 years	70
EX-15W OYZDA	15	4000K-5700K	100-277/200-480V	2100	5 years	70
EX-20W OYZDA	20	4000K-5700K	100-277/200-480V	2800	5 years	70
EX-30W OYZDA	30	4000K-5700K	100-277/200-480V	4200	5 years	70
EX-40W OYZDA	40	4000K-5700K	100-277/200-480V	5600	5 years	70

“O”=Product code, “Y”=D or N: Dimmable or non-dimmable “Z”= CCT, from 4000~5700K “D”=Beam angle, D40 for 40°, D60 for 60°, D90 for 90°, D120 for 120° A for glass info. blank for flat glass, C for spherical glass.

Dimension



Lighting Distribution



Approvals

Marking Atex	II2 G Ex db IIB T6 Gb II2 D Ex db IIIC T80 Db IP66
Marking IECEx	Ex db IIB T6 Gb Ex db IIIC T80 Db IP66
Marking UL844 (North American)	Class I, Division 2, Groups A, B, C, D Class II, Division 1, Groups E, F, G Class II, Division 2, Groups E, F, G Class III
Marine Marking	UL 1598A ABS and DNV Type Approved
Other Rating	IP 66 IK 10

Installation

