



Explosion Proof Light E Series



Industrial Field & Hazardous Locations

VENAS

Applications

Oil and Gas industry

- All petroleum production and refining
- Petroleum loading and transportation
- Petroleum storage and retail
- LNG industry

- All mining operations and service

Chemical industry

- All types of paint facilities
- Chemical production and storage

Ocean, marine and aerospace field

- Ocean platform operation facilities and structure
- Aerospace clean room and production
- Ocean vessel operations

Metal treatment

- Steel and aluminum factories
- Pumping stations in any environment
- Metal smelting, foundry and fabrication

Food and alcohol industry

- Flour and fine particle production and storage
- Food and distilling production
- Alcohol industry

Other high humidity, high dust, high temperature, vapor locations



Explosion Protection

Marking UL844 (North American)
 Class I, Division 1, Groups C, D
 Class I, Division 2, Groups A, B, C, D
 Class II, Division 1, Groups E, F, G
 Class II, Division 2, Groups F, G
 Class III

Marking Marine
 UL 1598A
 ABS

Other Rating
 IP 66
 Ik10



Materials

- Housing: Die-casting Aluminum
- Lens: Tempered glass
- Hardware: stainless steel
- Mounting Bracket: stainless steel



Specification

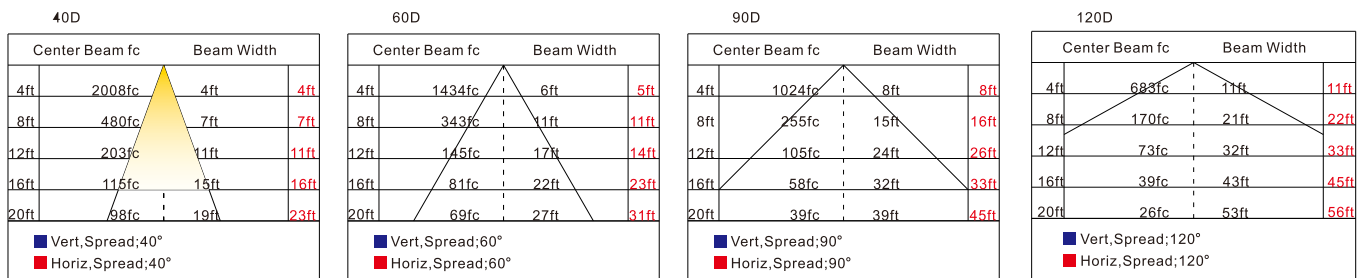
Model	Wattage	Color Temperature	Voltage	Lumens	Warranty	CRI	Emergency Time
EX-20W EYZDA	20W	2200K-7000K	AC100-277V Or AC200-480V	2800	5 years	80	3 Hours
EX-40W EYZDA	40W			5600			
EX-60W EYZDA	60W			8400			
EX-80W EYZDA	80W		AC100-277V Or DC12-48V	11200			
EX-100W EYZDA	100W			14000			
EX-150W EYZDA	150W			21000			

"E" = Product series. "Y" = D or N: Dimmable or non-dimmable. "Z" = CCT, from 2200-7000K.
 "D" = Beam angle, D40 for 40°, D60 for 60°, D90 for 90°, D120 for 120°. A for glass info., blank for flat glass.

Packing Information

Model	Quantity/Ctn	Dimension(MM)	Net weight(KG)	Gross weight(KG)
E(Flat glass)	1	480×505×455	15.2	17
E(Spherical glass)	1	660×505×455	19.5	22.5

Light Distribution

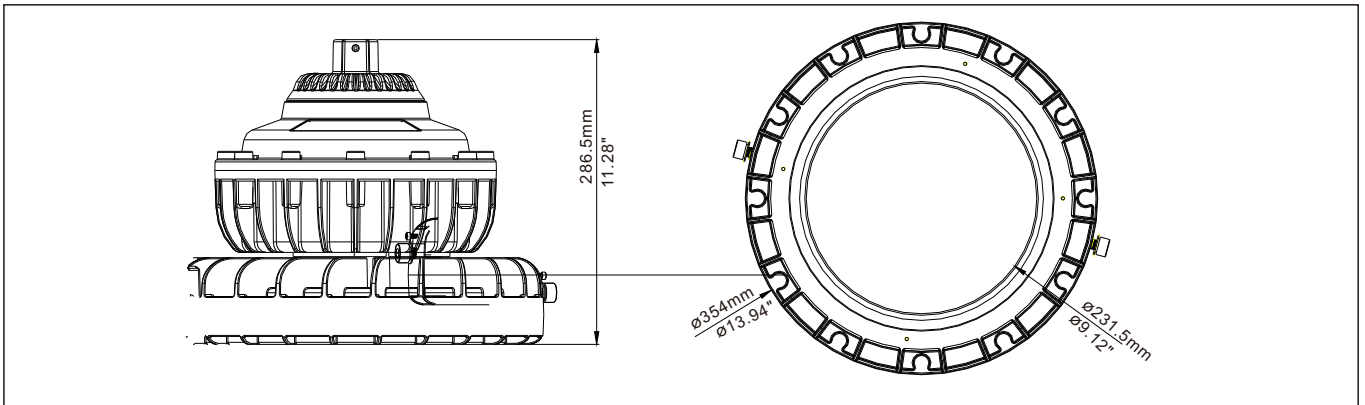


Features

- Working Temperature: -40°C ~ +65°C.
- High quality SMT LED and Meanwell Driver.
- Light-weight design by aircraft aluminum.
- Heavy-duty and high impact resistance.
- Three connection cable entry points.
- Replaceable LED board and drivers.
- Integrated junction box for driver with emergency back up.
- Dimmable and battery back up function available.
- Marine rating powder coated appearance treatment.
- Up to 5 years limited warranty option.
- Emergency Battery back up to three hours.
- Various installation ways for different applications.
- Glass lens or Glass with polycarbonate lens to make bigger beam angle.

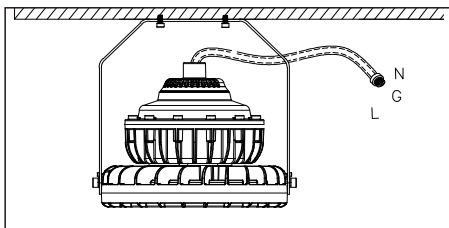


Dimension Unit: mm or inch

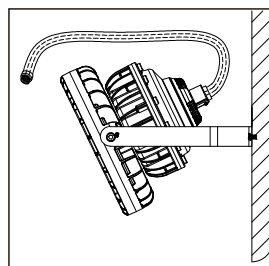


Mounting

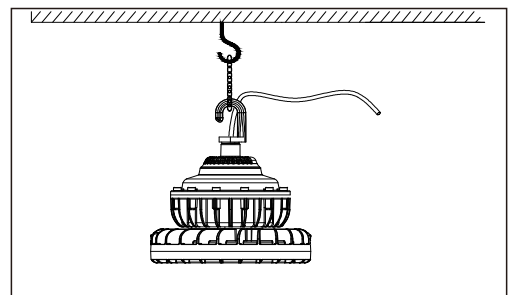
No.1: Ceiling Mounting



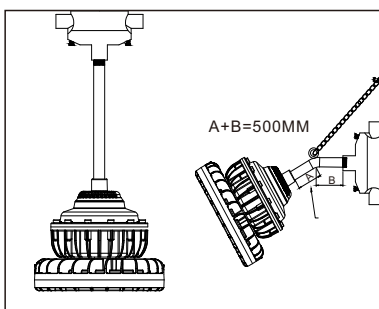
No.2: Wall Mounting



No.4: Hook Pendant Mounting



No.3: Pole Mounting



Accessories

Junction Box



Bracket



Straight Pipe



Chain



Metal Conduit



Bended Pipe



Hook

