



COSMO Flood Lights

This versatile solar flood light has a separate solar panel to collect energy from the sun. The solar panel also contains a sensor which activates the light when it is sufficiently dark. This unit comes with a remote control so that you can select your desired mode, brightness and timer options. After a full charge, this solar light can be activated in increments of 10% brightness for a full 12 hours. If not fully charged, it has a built-in feature that adjusts to the maximum possible brightness for up to 12 hours. It can also be set on a timer mode for 3 hours, or 5 hours. There is also a Manual mode that allows the user to turn on the light and keep it on, for as long as desired. In this mode, the light will not turn off automatically during daylight hours and must be turned off manually.


SOLTECH
Smart Solar Lighting



APPLICATIONS

20W, 50W COSMO Flood Lights

COSMO Flood lights can be used in gardens, courtyards, tennis courts and landscapes as well as for extra lighting in parking lots. It also serves to brighten pathways in parks or on campuses, or any location where having an LED outdoor light would be helpful, while avoiding the expense of running wires to the location.



Garage Lighting



Sign Lighting



Carport Lighting



Billboard Lighting

FEATURES

20W, 50W COSMO Flood Lights



Generates More Solar Energy and Store More Energy

- Adjusting the solar panel angle maximizes solar collection & allows snow to slide off.
- The solar flood light has a separate solar panel to collect energy from the sun.
- (IAP) Intelligent Adaptive Program Battery Control Technology that stays lit all night, even through cloudy or rainy days.



Multifunctional & Flexible

- The light can be used separately from the solar panel for both indoor and outdoor uses
- Use outdoor as a flag pole light, sign light, billboard light, or wall pack
- Use indoor as bus stop & shelter lighting



Longer Life

- 6 operating modes for indoor and outdoor use
- Remote control can adjust brightness and set the timer
- LED Indicators show 3 levels power storage



Highly Versatile Design

- The easiest way to bring lighting to both indoor and outdoor applications

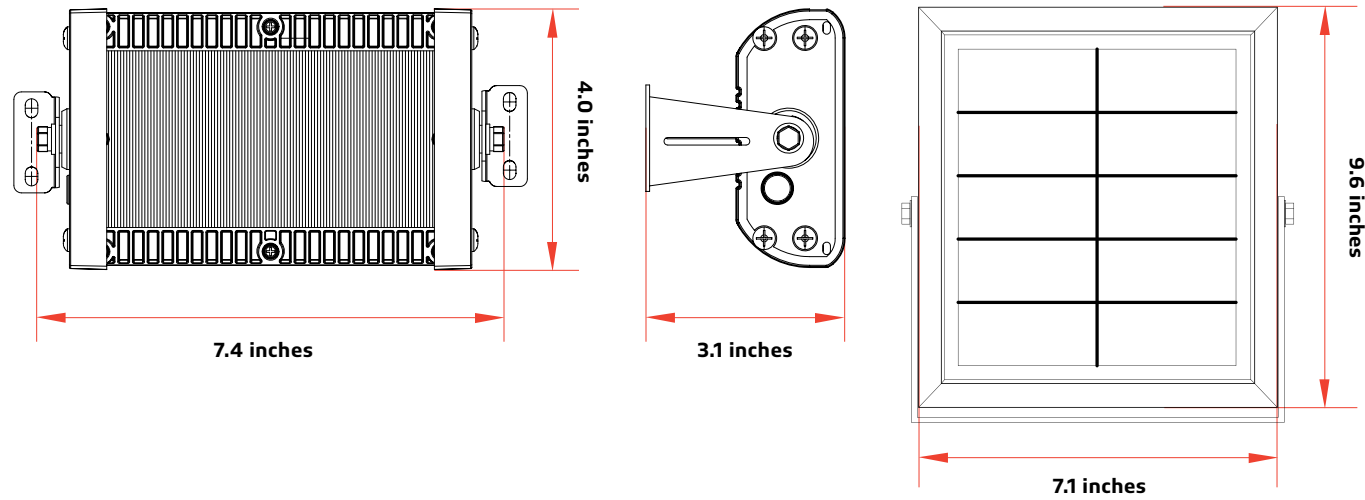
COSMO
20W

COSMO
50W

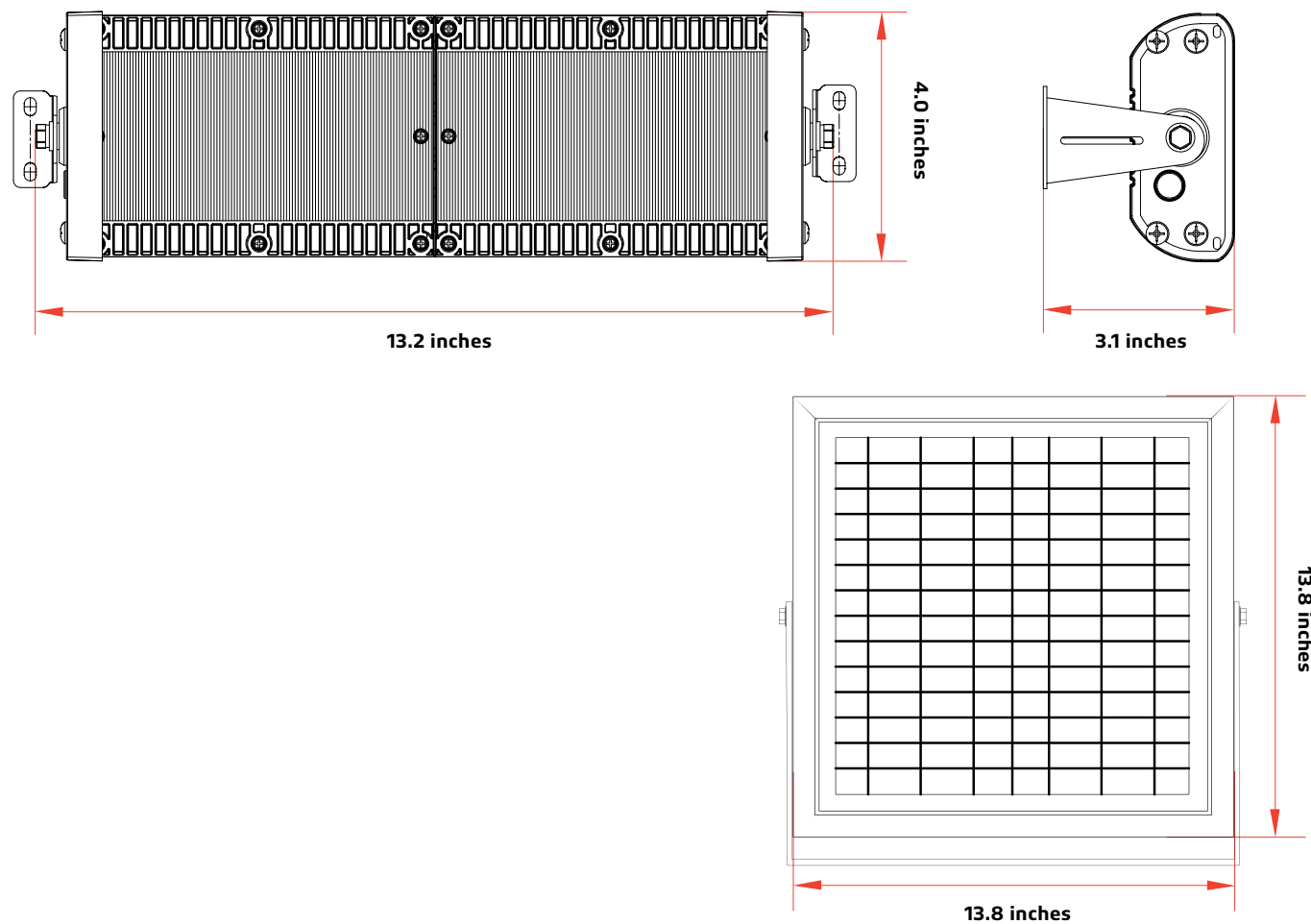


DIMENSIONAL DRAWINGS

COSMO 20W



COSMO 50W



SPECIFICATIONS & PERFORMANCE

20W, 50W COSMO Flood Lights

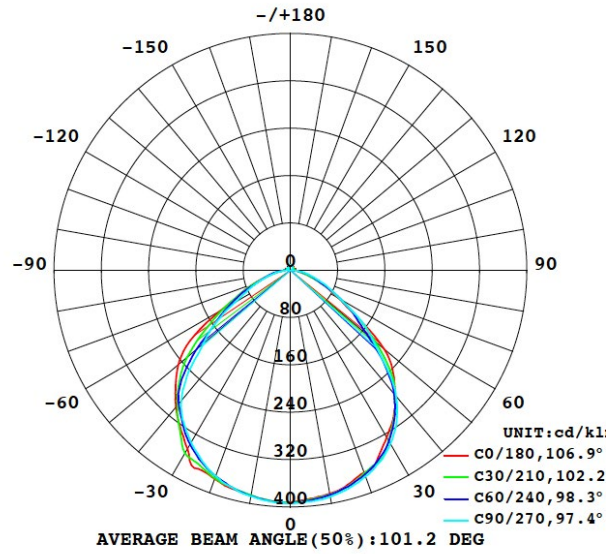
This solar flood light has a separate solar panel to collect the energy from the sun, eliminating the need for expensive wiring and installation costs.

SPECIFICATIONS	COSMO 20W	COSMO 50W
LED NOMINAL POWER	20W	50W
SOLAR PANEL	Mono-Crystalline Silicon 5.2W	Mono-Crystalline Silicon 14.3W
LITHIUM ION BATTERY	29.6WH 3.7V 8AH	66.6WH 3.7V 18AH
EPA	0.57	1.59
LUMEN OUTPUT@6000K	2,000	5,000
PRODUCT SIZE	Solar Panel 9.6 X 7.1 Inches Light 7.4 X 4.0 X 3.1 Inches	Solar Panel 13.8 X 13.8 Inches Light 13.2 X 4.0 X 3.1 Inches
IP RATING	IP65	IP65
CRI	CRI > 70	CRI > 70
CASTING	PC & ALUMINUM	PC & ALUMINUM
EFFICIENCY@6000K	100 LM/W	100 LM/W
PIR SENSOR ANGLE / DISTANCE	120° / 9.8-16.4 ft	120° / 9.8-16.4 ft
* CHARGING TIME	8 Hours (1000W/m ²)	8 Hours (1000W/m ²)
RUN TIME	8 Nights	8 Nights
OPERATION MODE	6 Operating Modes	6 Operating Modes
CCT	4,000K, 5,000K 6,000K	4,000K, 5,000K 6,000K
* OPERATING TEMPERATURE	-4 °F to 140 °F	-4 °F to 140 °F
* CHARGING TEMPERATURE	32 °F to 131 °F	32 °F to 131 °F

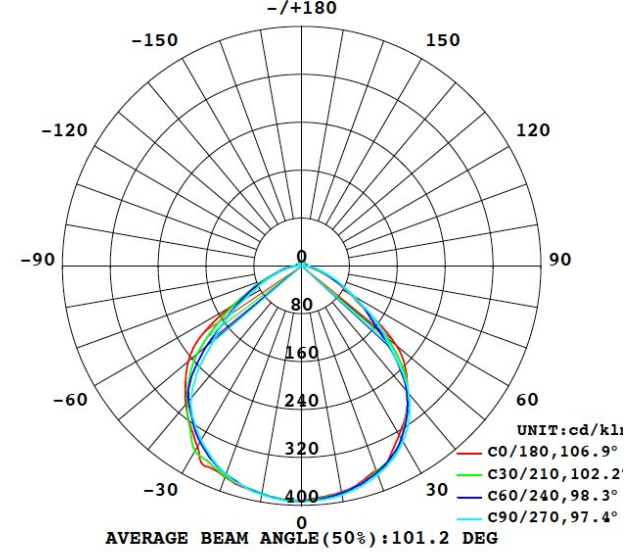
* The temperature can impact the battery's charging and normal operation.
 * The solar charge time data is based on 77 degree F ambient temperature, with the panel pointed directly at the solar radiation. The standard radiation value is 1000W/m².

PHOTOMETRY

COSMO 20W



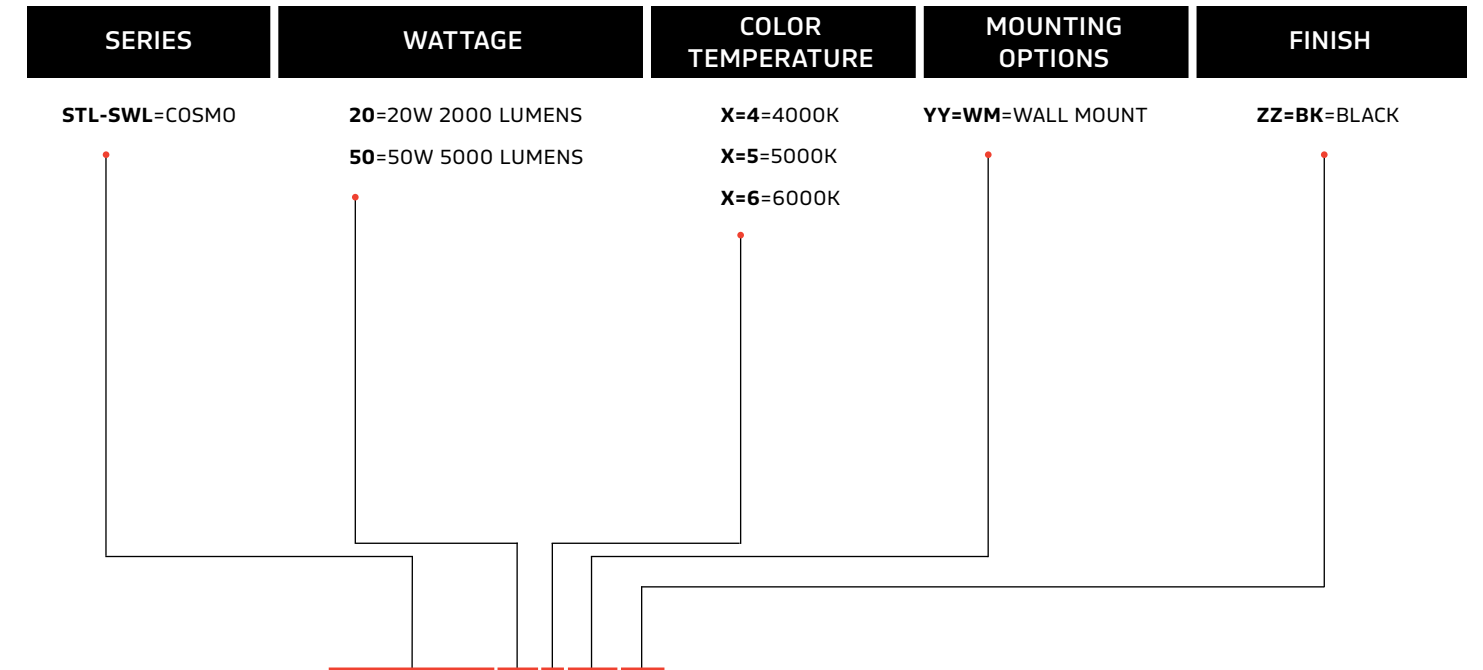
COSMO 50W



PRODUCT NUMBER BUILDER

Example: **STL-SWL206WMBK**

This example product number is for COSMO 20 watt, 6000K CCT, wall mount installation, with black finish.

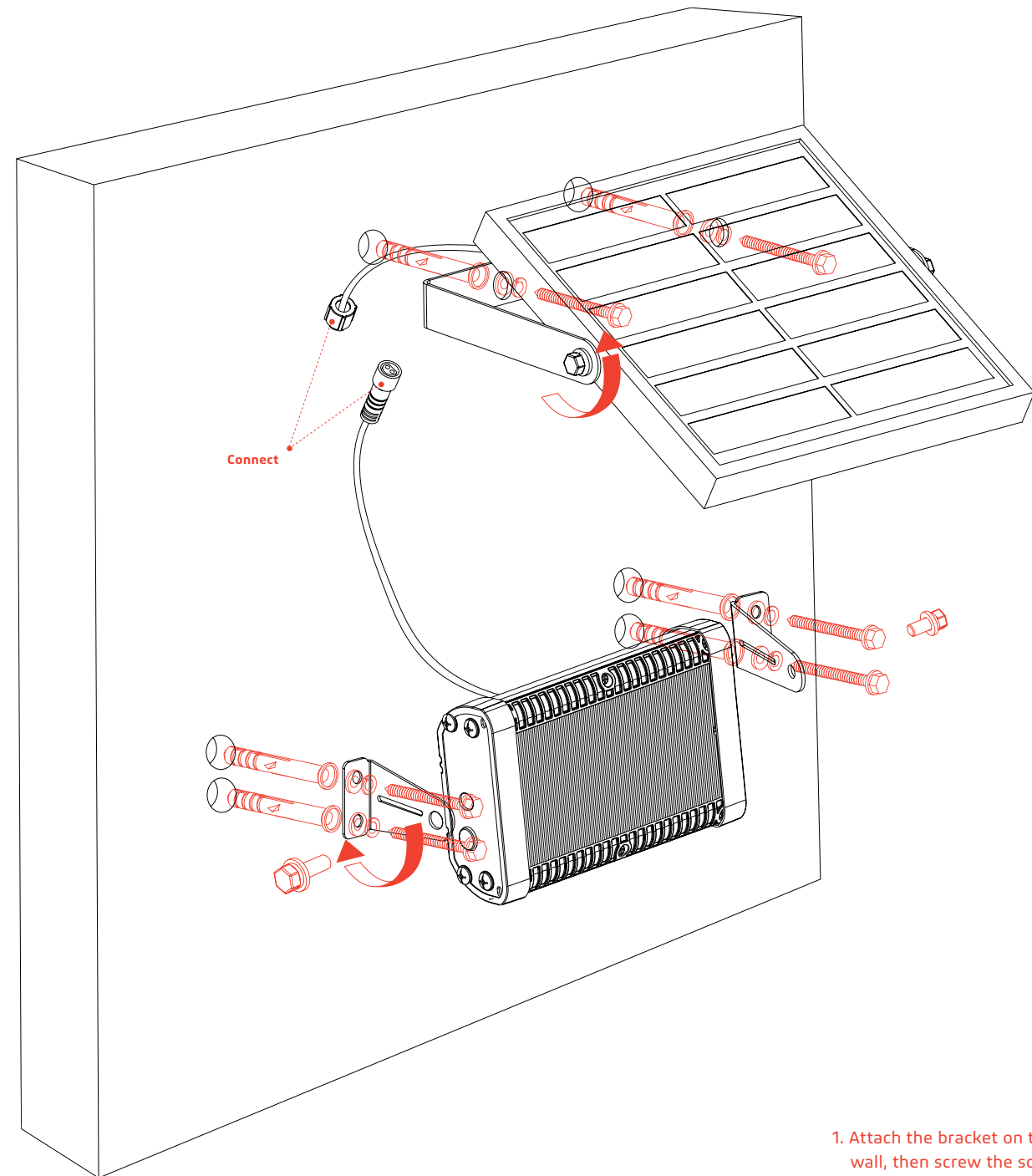


Sample Number: STL-SWL20XYYZZ

Please **DO NOT** send the generic sample number directly to our salesperson. Use the information in the chart, above, to create a model number with the correct series, wattage, CCT, mounting options, and finish for the product options that you want.

MOUNTING ACCESSORIES (20W, 50W)

WALL MOUNT



1. Attach the bracket on the wall, then screw the solar panel onto the bracket.
2. Screw the bracket onto the fixture housing and mount it onto the wall.
3. Connect the light and solar panel cables.



OPERATING MODES

INDOOR

1. Reading Mode
Maximum Brightness
2. General Mode
Medium Brightness
3. Atmosphere Mode
Low Brightness

OUTDOOR

4. Rainy Mode
(30% output)
5. Cloudy Mode
(60% output)
6. Sunny Mode
(100% output)
7. 10% increase output
8. 10% decrease output
9. Set the Timer for 5 hours on
10. Set the Timer for 3 hours on

LIGHTING MODE INDICATOR

Red: Outdoor
Green: Indoor

BATTERY CAPACITY INDICATOR

Green: $\geq 80\%$
Orange: 60%–80%
Red: $\leq 40\%$
Note: The fixture is in low voltage protection status when the red light flickers.