

JOB NAME:

CAT#:

TYPE:

## APPLICATIONS

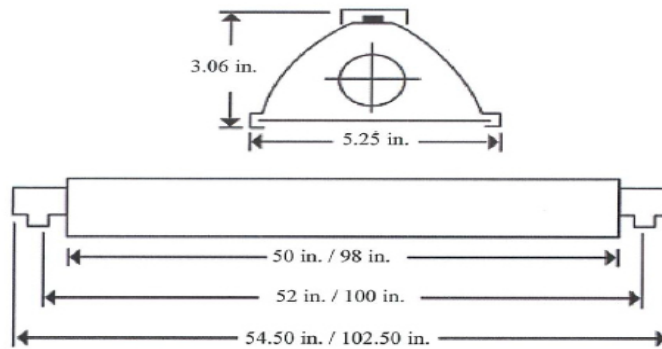
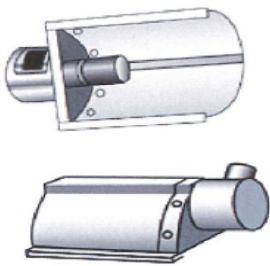
Specification grade fixture, sealed aluminum extrusion with lens for outdoor applications. The AOD series is a durable fixture used in both parking and commercial / retail outdoor areas for sign and walkway lighting.



## FEATURES & BENEFITS

- 5.25W" x 3.06H" inches
- Min CRI 82
- Available in 48 and 96 inch nominal lengths.
- Aluminum extrusion with white interior and cast aluminum end plates.
- Smooth, clear acrylic diffuser/lens
- Fixtures may be coupled for continuous runs without additional accessories
- Typically mounted on conduit

## DIMENSIONS



## ORDERING

EXAMPLE: AOD 48 LED 32 DMV 30

AOD		LED			
1. SERIES	2. SIZE	3. GEAR	4. WATTAGE/LUMENS	5. DRIVER	6. COLOR TEMP
AOD	48 48" 96 96"	LED	<b>48 inch</b> 32 32 Watts 3200 Lumens 48 48 Watts 4800 Lumens 57 57 Watts 5700 Lumens <b>96 inch</b> 65 65 Watts 6500 Lumens 96 96 Watts 9600 Lumens 114 114 Watts 11400 Lumens	DMV 120-277VAC 0-10V Dimmable	30 3000K 40 4000K 50 5000K

Dimensions and specifications subject to change without notice.



JOB NAME:

CAT#:

TYPE:

**INSTALLATION**

**TYPICAL INSTALLATIONS**

**BUILDING MOUNTING**

SADDLE STRAP ANCHORED TO COPING (BY OTHERS)

3/4" PIPE-CONDUIT MOUNTING ARM (BY OTHERS)

ROOF

**BUILDINGS**

A natural for store-front and service station lighting. With this unit the store-front or service station is lighted uniformly from roof to grade.

**BILLBOARD MOUNTING**

CONDUIT STRAP (BY OTHERS)

CONDUIT MOUNTING ARM (BY OTHERS)

SUPPORT & LOCKING BRACKET (BY OTHERS)

REMOTE BALLAST BOX

ELECTRICAL TO SUPPLY

MOUNTING AS VIEWED FROM REAR OF BILL BOARD

**BILLBOARDS**

Balanced high light output gives the advertising message greater impact. Copy and illustrations stand out and color distortion is virtually eliminated. Complete vertical surface is covered with a minimum of graduation and "hot spots" are eliminated.

**LUMINAIRE SPACING AND MOUNTING**

1. Dim. C should not exceed dimensions of A.
2. Dim. B should be twice the dimension of A.
3. If Dim. B exceeds 15 ft. then luminaires should be installed at top and bottom of area to be illuminated.
4. Angle of Dim. D should be 45° if dimensions are as outlined in paragraph No. 2. If Dim. A is four times less than Dim. B then angle should be 22.5°.

INDIVIDUAL

CONTINUOUS RUN

Dimensions and specifications subject to change without notice.

