

DATE	
PROJECT	
TYPE	
NOTE	
PREPARED BY	

## MD-CLW-3031

## Full cut off LED wallpack



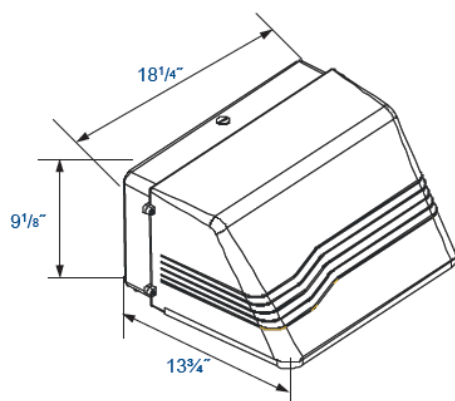
Medium full cut off LED wall pack fixture, suitable for wet locations, Perfect for lighting up residential exteriors, walkways, entry ways, perimeters, parking garages, school campuses, industrial/commercial spaces. This fixture comes standard with a Type IV optical distribution and is dark sky compliant. Comes with a 10 year/100,000 hour limited warranty.

### FEATURES

- Energy Savings: Over 66% compared to HID light sources
- Improved lumen maintenance
- Utilizes high efficient Phillips Lumiled LED's
- Operating temperatures: -30°C ~ 60°C
- Driver: Constant current, 120-277v, 50/60Hz, 480v (Optional)
- Suitable for wet locations
- Dimming, occupancy sensors, photo cell capable (optional)
- Operating Life: >100,000 hours

### CONSTRUCTION

- Housing is heavy-duty die-cast aluminum
- 1/2" Coin plugs with O-rings for conduit, sensors or photo cell
- Powder coat **bronze finish (standard)** various colors available (custom).
- Clear tempered glass lens
- Silicone gasket to prevent leakage and provide weather-tight protection.
- Mounting: Cast-in Template for Mounting Directly Over a 4" Recessed Outlet Box or use 1/2" Surface Conduit



PHILIPS  
LUMILEDS

Model Number	INPUT POWER	LUMEN OUTPUT	COLOR TEMP (CCT)	CRI	INPUT VOLTAGE	INPUT FREQUENCY	HID Equivalent
MD-CLW-3031-60CLED	65W	8,556	5000K	70+	120-277V	50/60HZ	250w PSMH
MD-CLW-3031-80CLED	85W	12,708	5000K	70+	120-277V	50/60HZ	250w HPS
MD-CLW-3031-100CLED	105W	14,160	5000K	70+	120-277V	50/60HZ	400w PSMH
MD-CLW-3031-120CLED	125W	16,912	5000K	70+	120-277V	50/60HZ	400w HPS

### Ordering Guide

Example: (MD-CLW-3031-60CLED-50-MV-BZ-PC)

MD-CLW-3031					
MODEL	WATTS	COLOR TEMP	VOLTAGE	FINISH	OPTIONS
MD-CLW-3031	60W-60CLED 80W-80CLED 100W-100CLED 120W-120CLED	27-2700K 30-3000K 35-3500K 40-4000K 50-5000K 57-5700K 65-6500K	MV=120-277V 480-480V	BZ- BRONZE GRY-GRAY BLK-BLACK WH- WHITE CUS-CUSTOM	OCC- MOTION SENSOR PC- BUTTON PHOTOCCELL EMR- EMR BATTERY LG- POLYCARB COVER WG- WIRE GUARD FCV- FULL CUTOFF VISOR GS- GLARE SHIELD SCS-SIDE CUTOFF SHIELD WC- WIRELESS CONTROL

Crystal Lighting Corporation - 13182 Flores St., Santa Fe Springs, Ca. 90670

Phone: 562-944-0223 - Fax: 562-944-0225 - WEB: [www.crystallighting.us](http://www.crystallighting.us)

Crystal Lighting is BUY AMERICAN compliant - All products are proudly manufactured and/or assembled in the USA