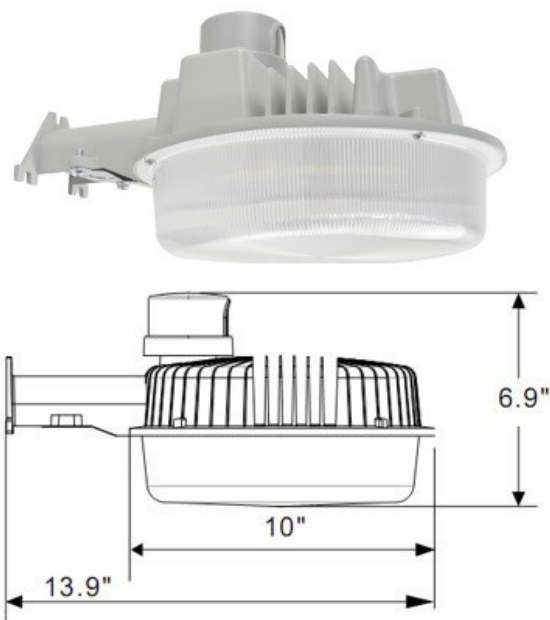


DATE	
PROJECT	
TYPE	
NOTE	
PREPARED BY	

CLP-BRN

LED Dusk to dawn barn light

LED Dusk to dawn light fixture, suitable for wet locations, Perfect for lighting up residential exteriors, walkways, entry ways, perimeters, roadway, school campuses, industrial/commercial spaces. This fixture has a wide rectangular light distribution. Dark sky compliant and DLC listed. Comes with a 5 year/50,000 hour limited warranty.



FEATURES

- Energy Savings: Over 66% compared to HID light sources
- Improved lumen maintenance
- Utilizes high efficient LED's
- Operating temperatures: -30°C ~ 60°C
- Driver: Constant current, 120-277v, 50/60Hz, 480v (Optional)
- Suitable for wet locations
- Dimming, occupancy sensors, photo cell capable (optional)
- Operating Life: >60,000 hours

CONSTRUCTION

- Housing is heavy-duty die-cast aluminum
- 1/2" Coin plugs with O-rings for conduit, sensors or photo cell
- Powder coat **bronze finish (standard)** various colors available (custom).
- Prismatic polycarbonate lens
- Silicone gasket to prevent leakage and provide weather-tight protection.
- Mounting: Cast-in Template for Mounting Directly Over a 4" Recessed Outlet Box or use 1/2" Surface Conduit

OPTIONS

- (PC) Button photo cell
- (WC) Wireless Controls



Model Number	INPUT POWER	Delivered Lumens	SCOPTIC	COLOR TEMP (CCT)	CRI	RATED LIFE (L70)	INPUT VOLTAGE	INPUT FREQUENCY	HID Equivalent	DLC LISTED
CLP-BRN-40LED	38W	3,026	4,841	5000K	80+	>200,000	120-277V	50/60HZ	100w HPS	YES
CLP-BRN-58LED	58W	5,582	8,931	5000K	80+	>200,000	120-277V	50/60HZ	175w HPS	PENDING

Ordering Guide

Example: (CLP-BRN-40LED-50-MV-BZ-WC)

CLP-BRN					
MODEL	WATTS	COLOR TEMP	VOLTAGE	FINISH	OPTIONS
CLP-BRN	40W-40LED 58W-58LED	50-5000K	MV=120-277V 480-480V	BZ- BRONZE GRY-GRAY BLK-BLACK WH- WHITE CUS-CUSTOM	PC- PHOTO CELL WC- WIRELESS CONTROL