



LED CCT & Power Tunable Panel Light

Product Description

LED SION CCT & Power Tunable Back-lit panel light use best die-casting aluminum+PC housing, anti-corrosion painting design. High-performance Replace 500-150W MH/HPS.

Advantage

1. Without LGP, never turn yellow
2. Isolated driver, PF>0.9, THD≤15 %
3. Super bright SMD2835 LEDs, LM80 rated Ra>80
4. Lumen output: 130LM/W
5. AC120-277V or AC120-347V, 0-10V dimmable.
6. Non-flicker, no dark spot, protect your eyes
7. 5-7 days fast delivery once confirmed
8. Ideal replacement for traditional troffer with over 80% energy saving



Applications

Replaces fluorescent grid, offices, schools, hospitals, libraries, corridors and stairwells, etc.





LED CCT & Power Tunable Panel Light

Specifications

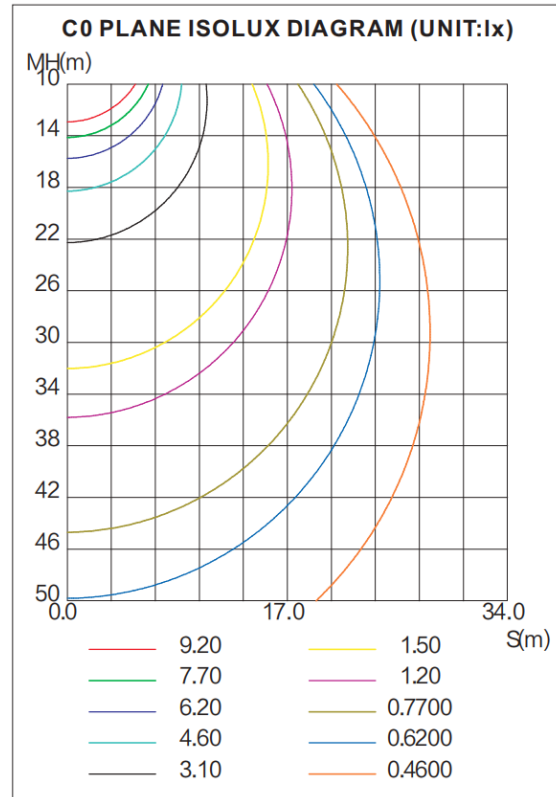
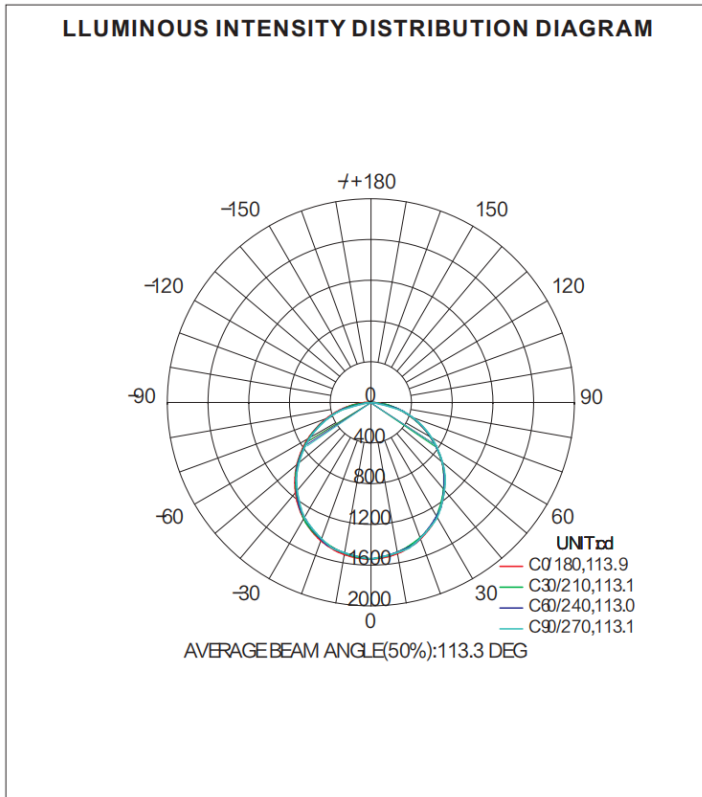
Model No.	LS-PLB-XXW22-28CDDX-01	LS-PLB-XXW24-28CDDX-01
Input Power	20W-25W-30W-35W	35W-40W-45W-50W
Lumen	2600-4550LM	4550-6500LM
Lumen Efficiency	130lm/W	
Color Temperature	3000K-4000K-5000K-6000K	
Product Size(ft)	2x2ft (603*603mm)	2x4ft(1213*603mm)
CRI	>80Ra	
Viewing Angle	120 Degree	
Input Voltage	120-277Vac or 120-347Vac 50/60Hz	
PF	≥0.9	
THD	≤15%	
Driver Brand	China brand driver	
LED Brand	Jufei	
LED Type	SMD2835 (1W)	
LED QTY	112pcs	192pcs
Dimmer	0-10V Dimming	
Housing	Aluminum+PC	
Housing Color	White	
Waterproof Rating	IP40	
Operating Temperature	-40°C TO 45°C	
Operating Humidity	20%-90% RH	
Storage Temperature	-40°C TO 80°C	
Storage Humidity	10%-95% RH	
Warranty Time	5 Years	
Note	CDDX: CDM=CCT & Watt Tunable function CDS =CCT & Watt Tunable + Sensing function CDE=CCT & Watt Tunable + Emergency function CSE=CCT & Watt Tunable + Sensing + Emergency function X =X=L: AC120-277V, X=H: AC120-347V	



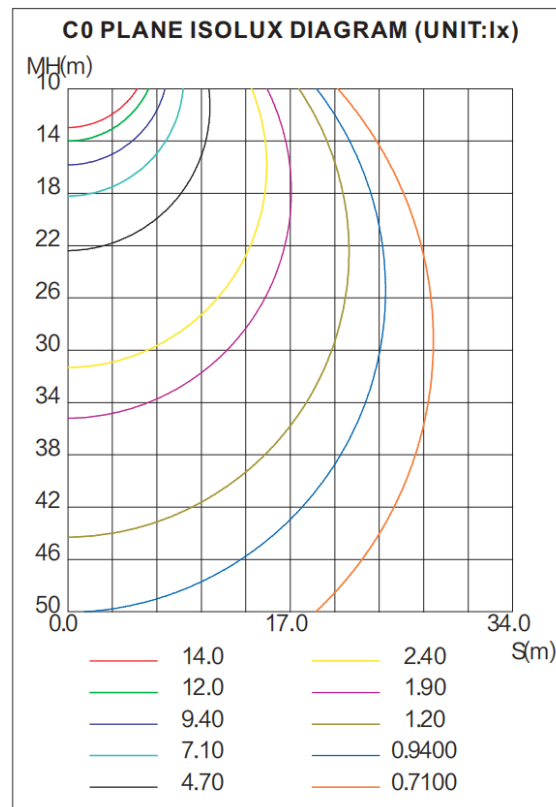
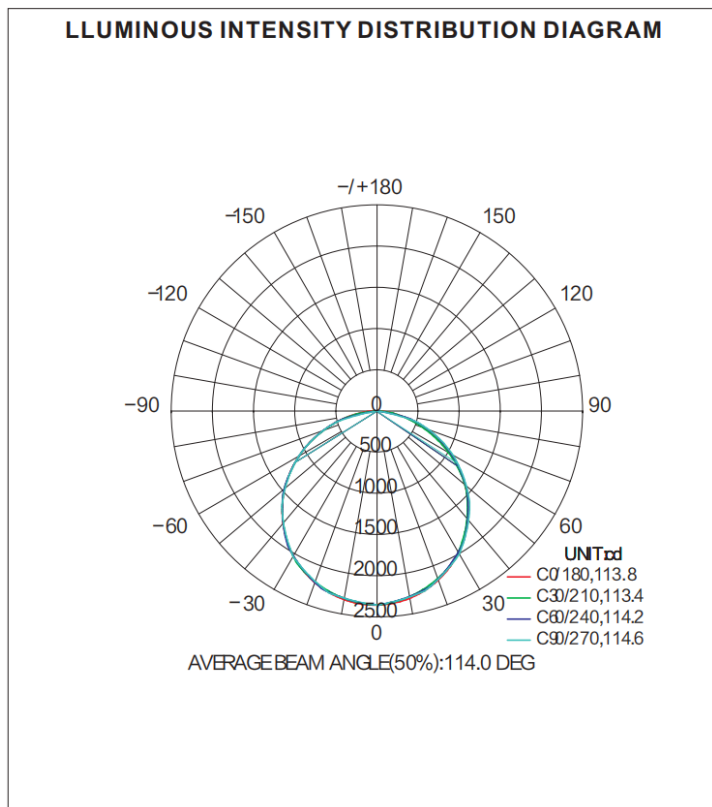
LED CCT & Power Tunable Panel Light

Photometrics

24inchx24inch 35W



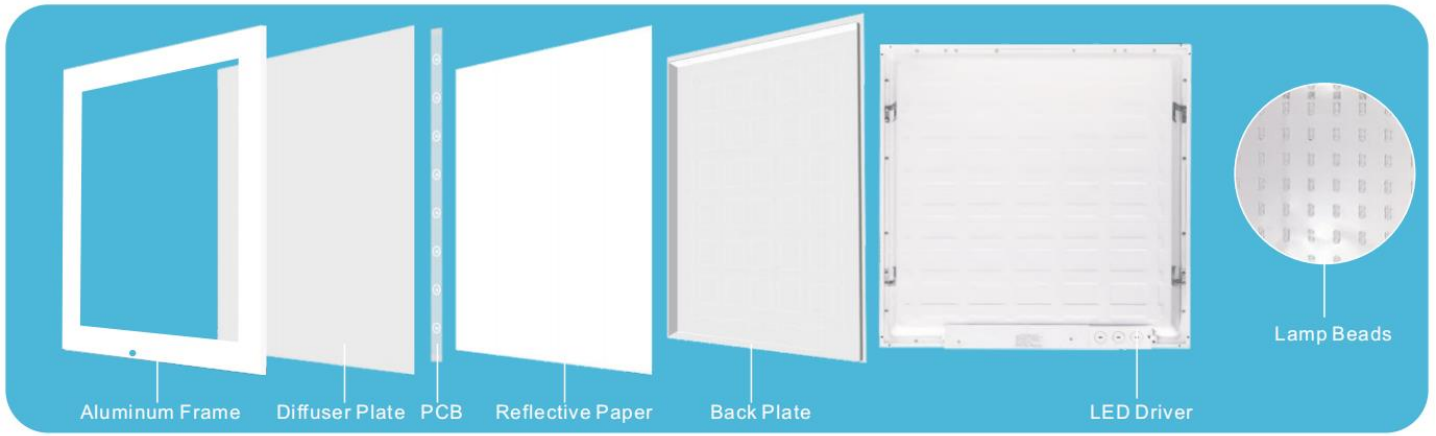
24inchx48inch 50W



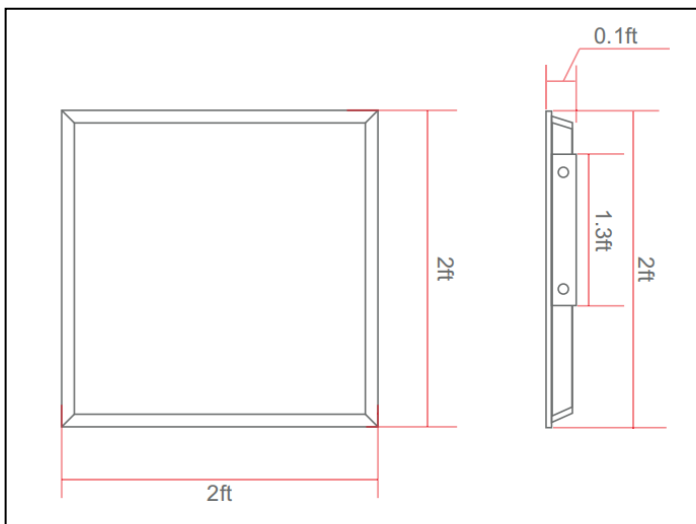


LED CCT & Power Tunable Panel Light

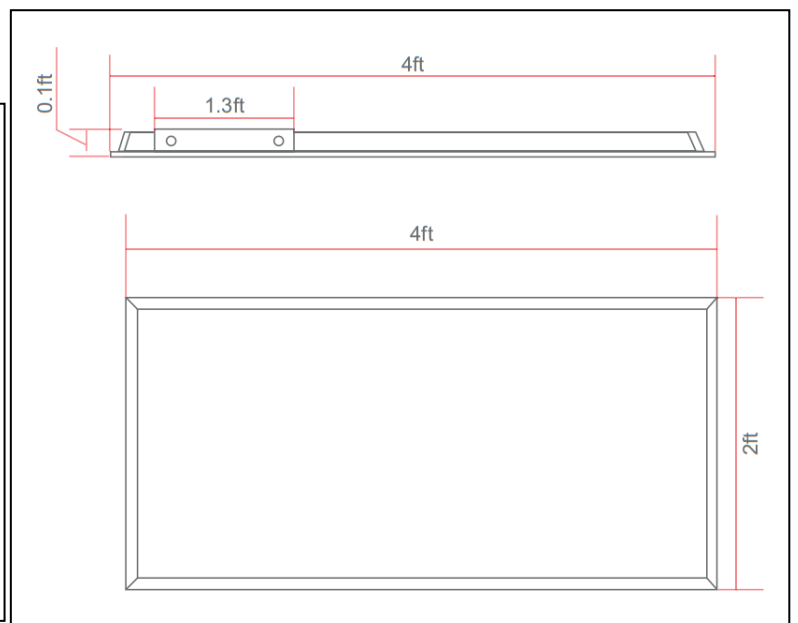
Construction



Dimensions



2x2ft (603*603mm)

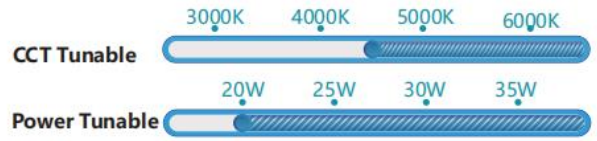
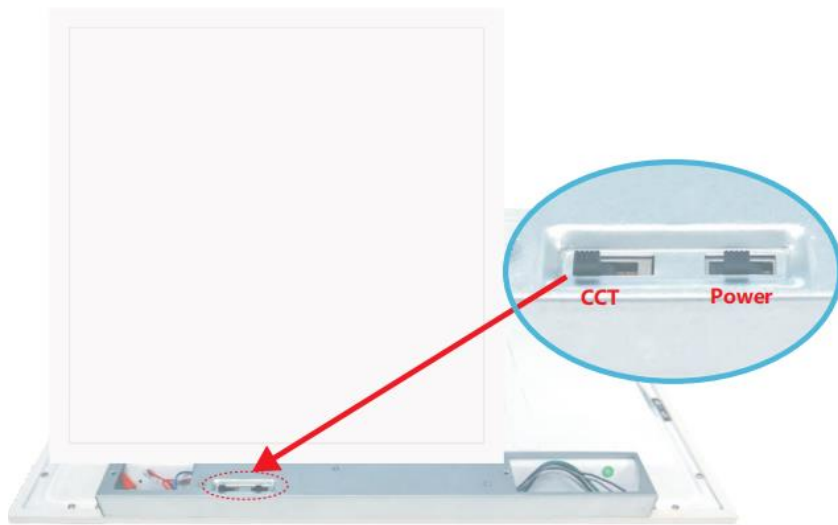


2x4ft (1213*603mm)



LED CCT & Power Tunable Panel Light

Power & CCT Back-lit LED Panel Light Series

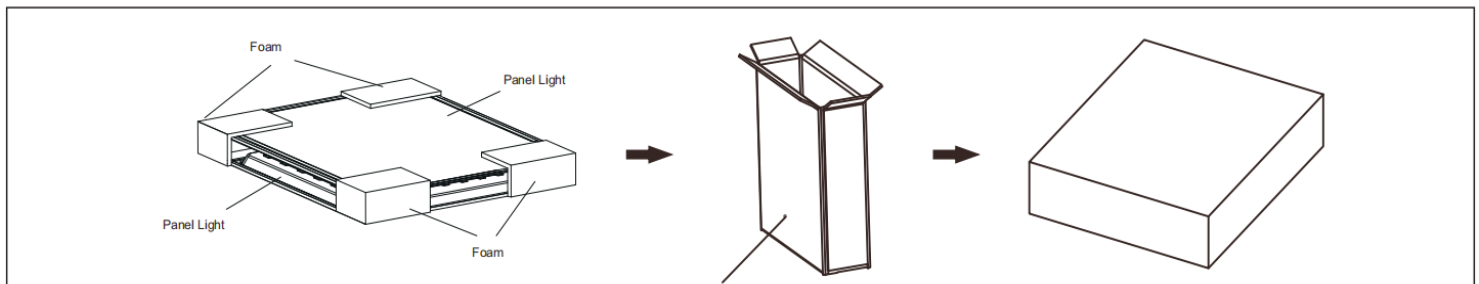


- 20W 3000K 25W 3000K
- 20W 4000K 25W 4000K
- 20W 5000K 25W 5000K
- 20W 6000K 25W 6000K
- 30W 3000K 35W 3000K
- 30W 4000K 35W 4000K
- 30W 5000K 35W 5000K
- 30W 6000K 35W 6000K

Model No.	Watts(W)	Dimmable	Lumens	CCT (K)	Size (inch)	N.W (lbs)
LS-PLB-XXW22-28CDDX-01	20-25-30-35	0-10V Dimming Power & CCT Tunable	130 LM/W	3000	24*24	5.07
LS-PLB-XXW24-28CDDX-01	35-40-45-50			4000		
				5000		
				6000	24*48	9.26

Package information

Item (inch)	N.W (lbs)	Carton Size (inch)	QTY/ctn (pcs)	G.W/ctn (lbs)	Qty loaded by 20GP	Qty loaded by 40GP	Qty loaded by 40HQ
24*24	5.07	25.39*3.94*25.59	2	11.46	1620 pcs	3258 pcs	3816 pcs
24*48	9.26	49.4*3.94*25.59	2	20.5	774 pcs	1662 pcs	1928 pcs





LED CCT & Power Tunable Panel Light

Notice for User

Please turn off power before install or change assembly parts.

The input voltage and lamps should be matched, after connecting the power line,

Please make sure the wiring section is insulated.

No-professionals, must not install and disassemble the lamps.

After-sale Service

The product refers to electricians knowledge. Please don't disassemble it by yourself.

If any quality problem happens, please contact the factory for warranty details.

NOTE: Actual performance may differ as a result of end-user environment and application. All values are without notice.