

AES-HB High Bay

Indoor

The eLucent 320-Watt and 505-Watt High Bays deliver the highest quality of brilliant illumination and performance with over 36,000 lumens. Ideal in warehouse, manufacturing, and larger facilities.



| Luminaire | AES-HB | Type |
|-----------|--------|------|
| Project | | |
| Product | | |
| Notes | | |

- Features**
- Suspension by hook or pendant
 - Heavy-duty cast and extrusion aluminum
 - Wide beam aluminum reflector



1-10V Dim



Toxin-Free



-40°C - 40°C Operating



Photocell



Motion Sensor



5 Year Warranty



Order Format
Sample: AES-HB320-ATG50K-D

| Series | Wattage | CCT | Voltage | Dimming |
|--------------|----------------------------|---------------|---------------------------------|-------------------|
| AES=High Bay | - HB320=320W HB505=505W | - ATG50=5000K | - Blank=100-277V -V=347-480V | - D=1-10V Dimming |

Application
 Suitable for suspension by the means of a chain, cable, or pendant mount. The suspension methods may utilize a hook or single pendant monopoint.

Construction
 Constructed in a heavy-duty cast and extrusion aluminum. Luminaire coated in an environmentally friendly polyester powder formulated for a durable and long-lasting color in a silver finish. No toxic heavy metals, VOC, or mercury were used in the design of this product.



Electrical
 Luminaire lifespan is rated at 50,000 hours. Standard input voltage is 100-240/277. Luminaire is compatible with most of the 1-10V dimming systems in the market and sensors including: dual function, KO, and backup sensor.

Optics
 The highbays are equipped with a wide beam aluminum reflector for maximized light distribution.

- Certifications**
- DLC Listed
 - RoHS
 - UL listed
 - CE
 - Title 24

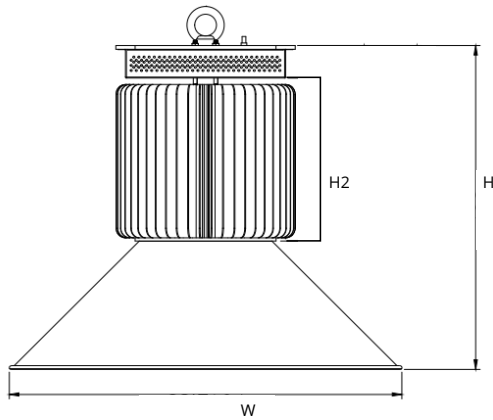
| | |
|----------------------------|------------------------------|
| Input Voltage (VAC) | 100-277 |
| CRI | 70+ |
| CCT(K) | 5000 |
| PF | >.95 |
| THD | <10% |
| L70 (Hours) | 58,000 |
| Color | Silver |
| Housing | Cast & Extrusion Aluminum |
| Lens Type | Wide Beam Aluminum Reflector |
| Temperature Range | -40°C to 40°C |
| Warranty | 10 Years |

Lumen Data

| Wattage (W) | 5K | |
|-------------|-----------------|-------------|
| | Efficacy (Lm/W) | Lumens (Lm) |
| 320W | 113 | 36,000 |
| 505W | 106 | 53,600 |

Dimensions

**320W
505W
with shroud**

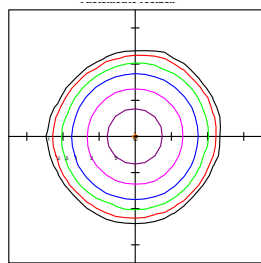


| Part No. | Width(W) | Height (H) | Height (H2) |
|-----------|----------|------------|-------------|
| AES-HB320 | 24.13" | 19.96" | 12.0" |
| AES-HB505 | 26.33" | 21.93" | 14.0" |

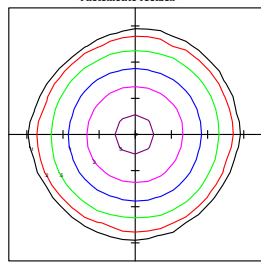
Recorded in inches

Photometric

**320W
1000-1500W
Replacement**

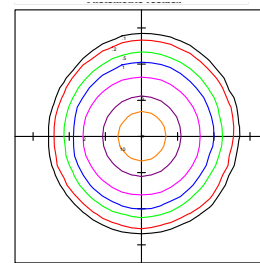


AES-HB320-ATG50K @40'
Replaces 1000+W

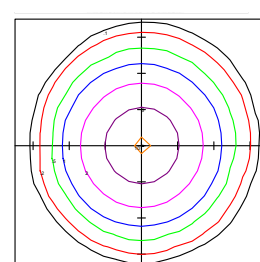


AES-HB320-ATG50K @50'
Replaces 1000+W

**505W
1000-1500W
Replacement**



AES-HB505-ATG50K @40'
Replaces 1000+W



AES-HB505-ATG50K @50'
Replaces 1000+W