



100W, 150W, and 240W UFO with round driver



320W UFO with brick driver

Description

The Waterproof UFO High Bay is the most versatile fixture Altech has produced to date. With an IP67 rating, and capable of mounting on the ground and wall, the UHBHO/UHB can do it all.



Applications

Warehouse Lighting Cold Storage Exhibit Halls
Shopping Centers Indoor Arenas Gymnasiums

Details

IP Rating IP67
Material Die Cast Aluminum
Lens Tempered Glass / Polycarbonate
L70 Life 150,000 Hours
Warranty 10 Years
CRI 80+
Qualification UL, DLC Prem./5.1, FCC, CE, RoHS
Chip Man. Philips

Electrical

Power Factor 0.99
Frequency 50/60 Hz
Max THD 15%
Operating Temp. -40° F to 150° F
 -40° C to 65° C
Dimming 3 in 1 (Resistance, PWM, 1-10V)

MODEL/DLC #:	U-UHBHO-100-50	U-UHBHO-150-50	U-UHBHO-240-50	U-UHB-320W-50
Color Temp:	5000K	5000K	5000K	5000K
Input Wattage:	100W	150W	240W	320W
Lumens:	16,300 lm	24,776 lm	39,120 lm	54,400 lm
Equivalent:	400W MH	1000W MH	1500W MH	2000W MH

Ordering Information

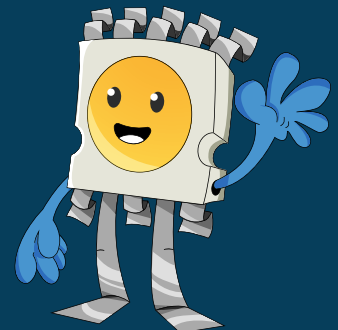
Example: U-UHBHO-150-50-165-DTG-1-1-H-WP(4)-BL

Item	Wtg	Color Temp.	Lumen Package	Lens Type	Distribution	Input Volt.	Mounting	Options	Finish
U-UHBHO	100	30 - 3000K	165 - 165 lm/W*	DTG - Diffused Tempered Glass*	1 - 120°*	1 - 100-277V*	H - Hook**	MS - Motion Sensor TL - Twist Lock Plug EI - Emergency Inverter WP(X) - Additional Whip (X = specify length in ft.; 4' is standard)	BL - Black* BZ - Bronze W - White GR - Gray SP - Other
	150	40 - 4000K	185 - 185 lm/W		2 - 90°		Y - Yoke***		
	240	50 - 5000K*		3 - 60°	P - Pendant				
U-UHB	320W	57 - 5700K		Glass CPLY - Clear Polycarbonate DPLY - Diffused Polycarbonate			(Pendant type must be specified when ordering)		

*Standard **Standard on 100W, 150W and 240W ***Standard on 320W

Additional Notes

- 4000K and 5000K, 100-277V are stocked locally, check for ETA's
- Step-down dimming motion sensors are for 100-277V models only
- Operating Amperage of 240W at 277V is 0.87A
- Inrush current: cold start 60A
- Additional charges apply for items under "Options" column and non-standard colors
- 60° Beam angle available in clear polycarbonate lens only
- 120° Beam angle available in clear polycarbonate and tempered glass lenses only
- Please note, the 320W SKU is U-UHB
- Not all product variations listed on this page are DLC Qualified. To ensure that a specific model is qualified, visit www.designlights.org/search

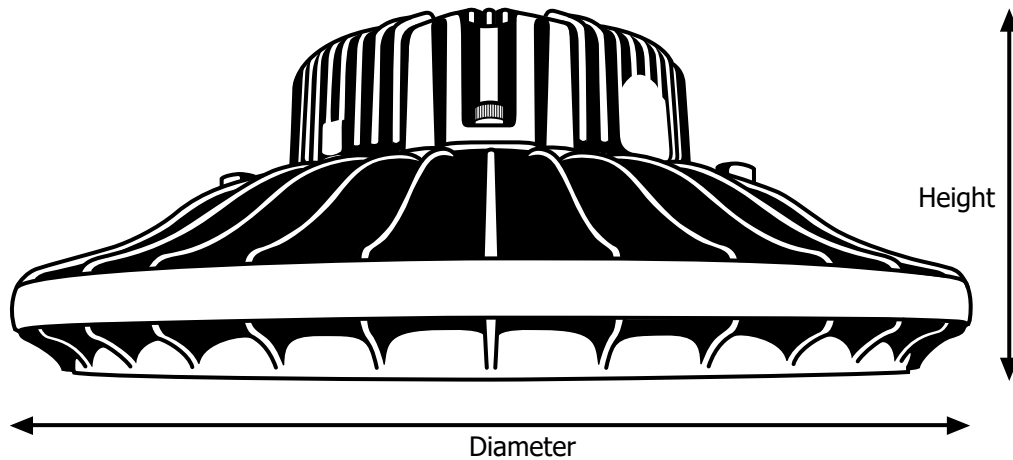


HIGH BAY WATERPROOF UFO

Lumen Output (based on 5000K)

System Watts	lm/W	Lumens	lm/W	Lumens
100	163	16,300	185	18,499
150	163	24,776	185	27,740
240	163	39,120	185	44,398
320	170	54,400	184	58,745

Fixture Dimensions and Weight



Fixture Wattage	Diameter	Height	Weight
100W and 150W	13.2 in.	6.7 in.	11.7 lb., 12.6 lb.
	335 mm.	170 mm.	5.3 kg., 5.7 kg.

Weight for 100W and 150W respectively.

Fixture Wattage	Diameter	Height	Weight
240W and 320W	17 in.	6.7 in.	19.8 lb., 21.6 lb.
	505 mm.	190 mm.	8.9 kg., 9.8 kg.

Weight for 240W and 320W respectively.

Accessories and Options



Multi-Level Motion Sensor (optional)



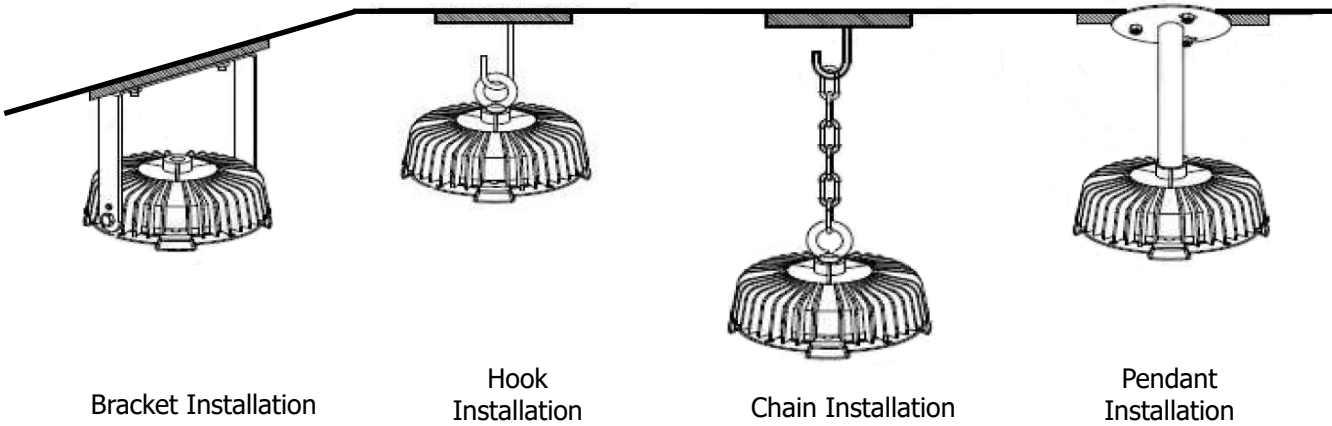
Phenix External Emergency Inverter (18470X-3) (optional)



Opening diameter = 0.75"

Pendant Adaptor (optional)

Mounting Options Supported



Bracket Installation

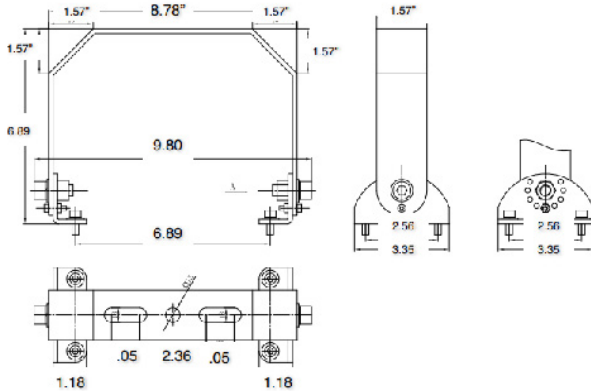
Hook Installation

Chain Installation

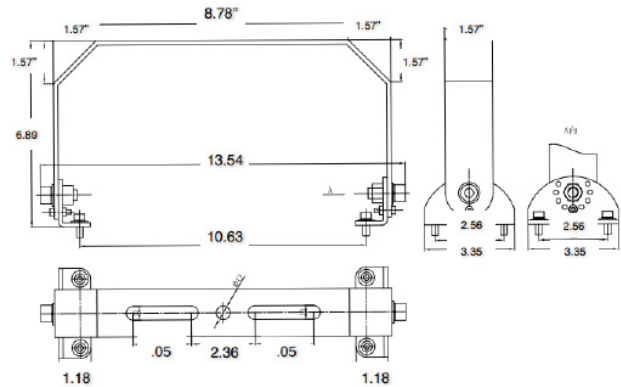
Pendant Installation

Bracket Dimensions

100 & 150 Watt U-Bracket

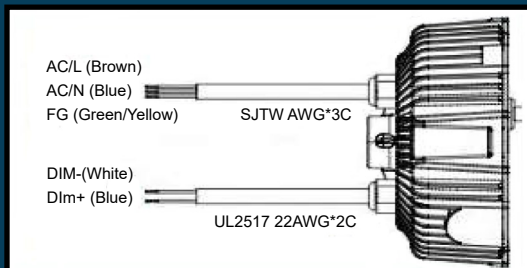


240 & 320 Watt U-Bracket



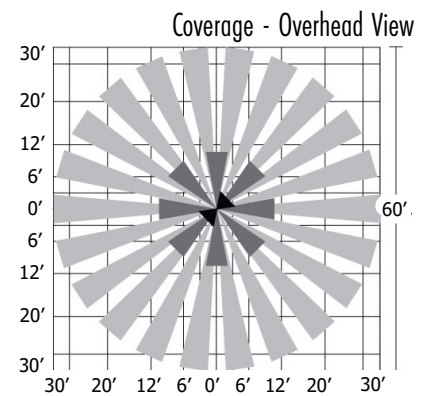
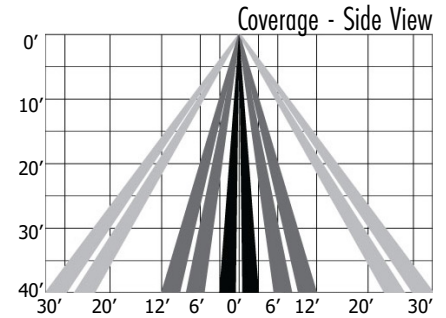
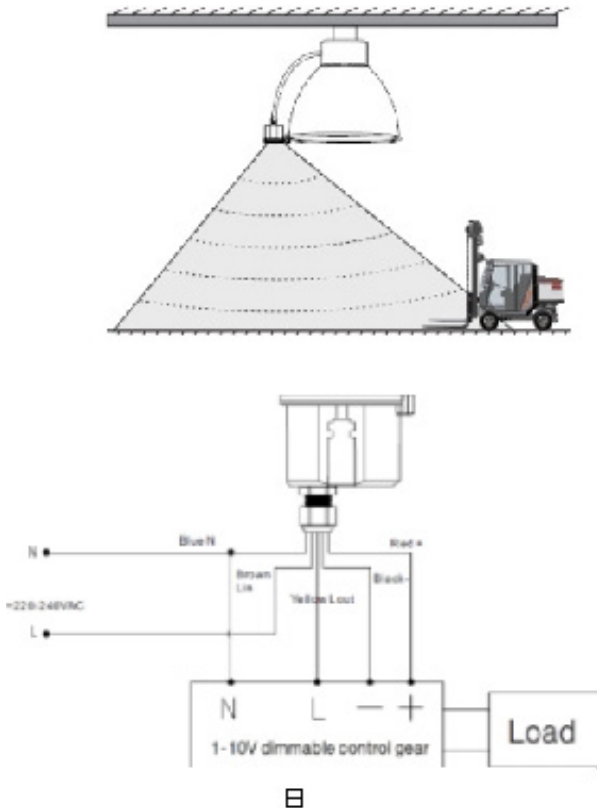
Installation

1. Important: Shut the power down.
2. Hang the fixture.
3. Connect the power.

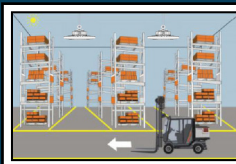


HIGH BAY WATERPROOF UFO

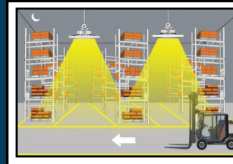
Motion Sensor



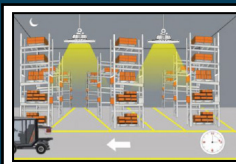
Motion Detection



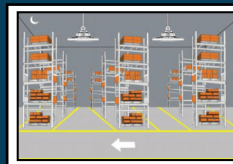
1. With sufficient ambient light, the sensor does not turn the fixture on.



2. With insufficient ambient light, the sensor turns the fixture on when motion is detected.



3. After hold time, the sensor dims the fixture to a low light level if no new motion is detected.



4. After stand-by-period, the sensor turns off the fixture if no motion is detected in its zone.

This 3-Step Dimming/Daylight Sensor with remote control, provides a simple energy-saving solution to use light only when and where you need it. The motion sensor can be mounted at a maximum of 50 ft above the ground and still detect moving objects within a 60 ft radius. This sensor also has a daylight sensor for further lighting customization and energy savings.