



# LED Panel Lighting

## LS060636W

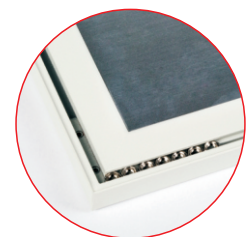
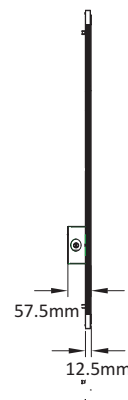
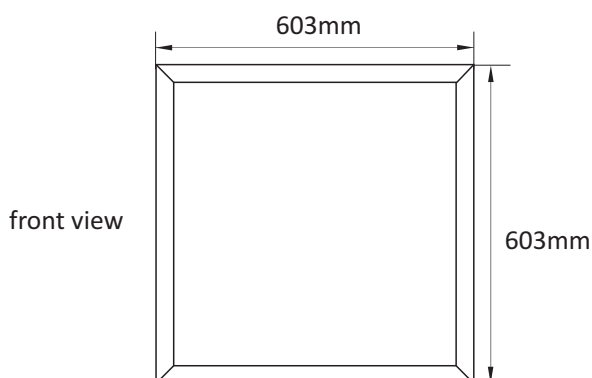


LUMINAIRE  
ISSUE NO.

## Product Description

- Driver protected by junction box, fixed on the back of panel, more secure and stable.
- Stable driver with UL/cUL, famous brand LED with LM-80 report, 3-5 years warranty.
- Approved by DLC/UL. For UL, please link to [www.ul.com](http://www.ul.com) for DLC, link to [www.designlights.org](http://www.designlights.org)
- Screw nuts embedded in the back plate, achieves all kinds of feasible installation methods.
- Adopting whole back plate to achieve heat dissipation, larger heat dissipation area than dissipate by frame.
- Outperforms fluorescent lighting, outstanding energy savings, zero maintenance, no need to relamp.

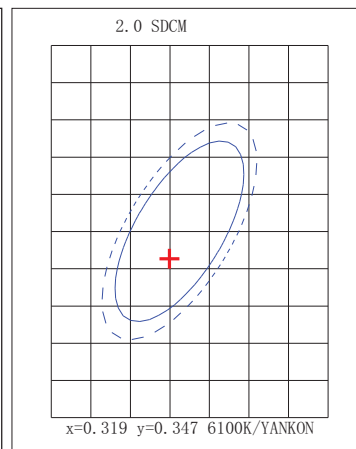
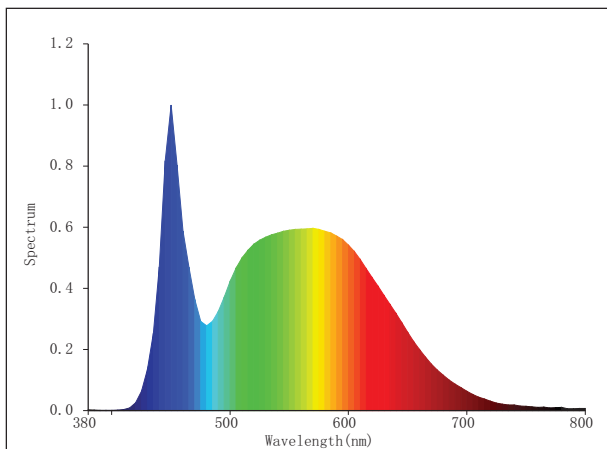
## Dimension



**Product Specification**

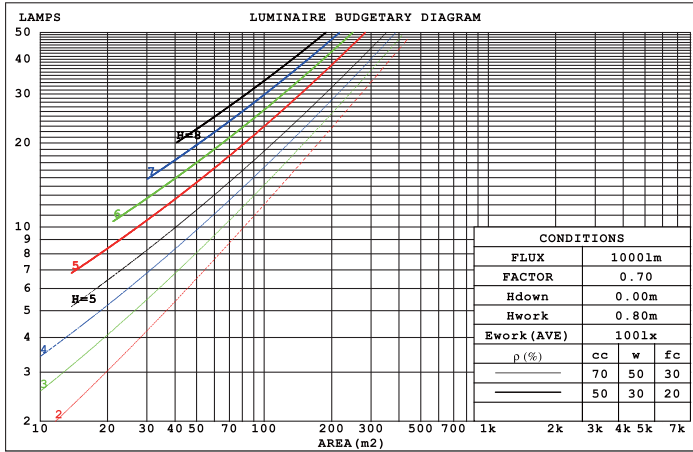
Product Name	LS060636W
Rated Power	36W
Input-voltage	100~277VAC
Frequency	50~60Hz
Power Factor	>0.9
Color Temperature (optional)	5000K
Luminous Flux (typical)	3400±200LM
Beam Angle	120°
CRI	≥80
SDCM	< 6.0
THD	<18%
Dimming Function	0-10V dimmable (Optional)
Operating Temperature	-25°C ~ +40°C
Finish Color	White
Heat Sink	6063 Aluminum
LED Lifespan	>50000h
Warranty	3-5 years

**Color Temperature and SDCM < 6**

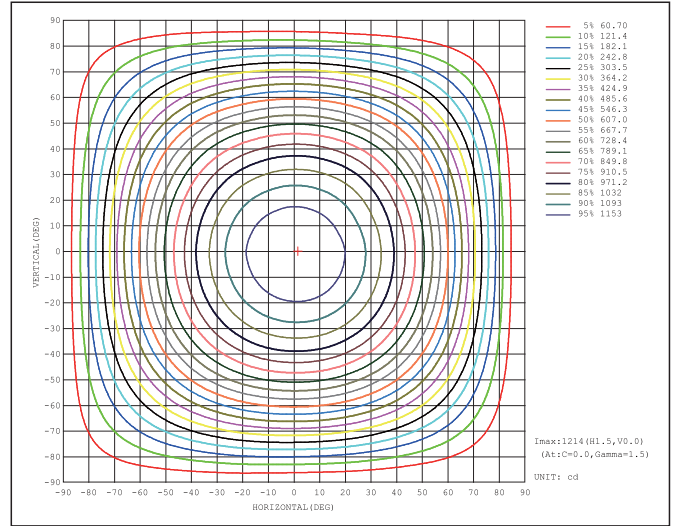


Distribution Curve Flux

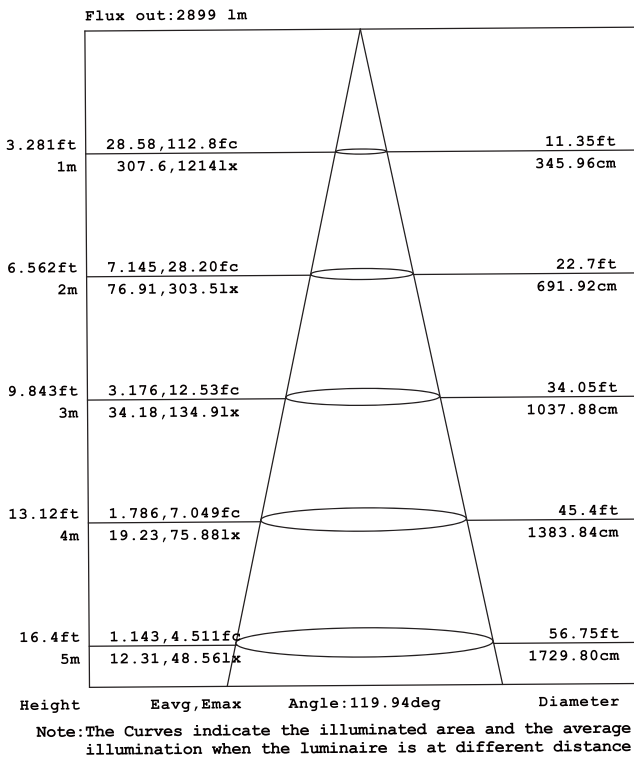
Luminaire Budgetary Diagram



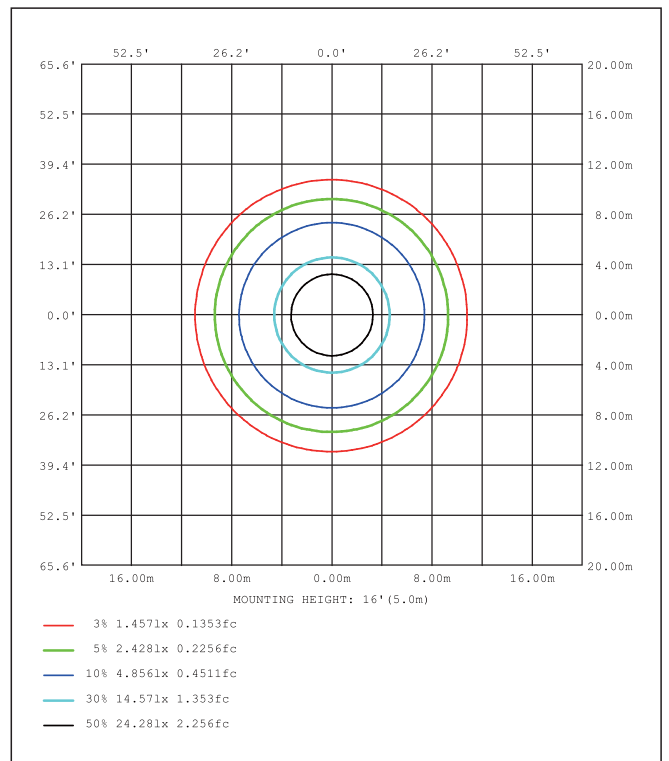
Rectangle ISO Light Intensity Curve



Illuminance-Distance Curve



Illuminance-Distance Curve



## Application Reference

Application for most indoor area for Commercial Lighting, residential lighting and Industrial lighting, etc.

Warning and caution:

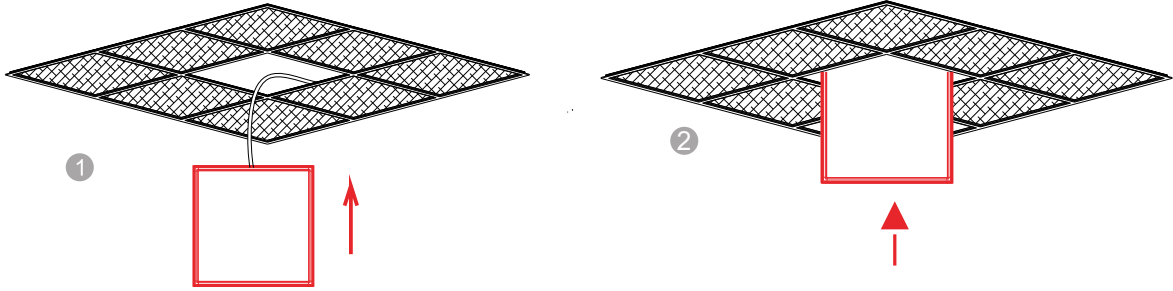
- ① Don't use in completely enclosed fixture and damp area.
- ② Used as safety or emergency lamps are not recommended.
- ③ Install the lamps by professional person strictly abide by the instructions.



## Installation Guide

### ⊕ Recessed Installation:

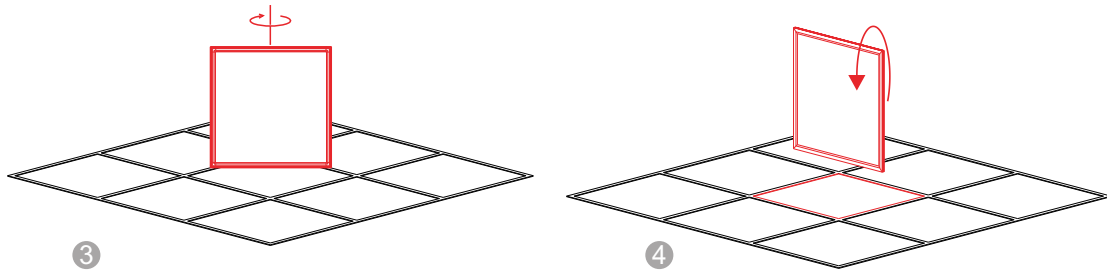
1. Install panel light on the ceiling board



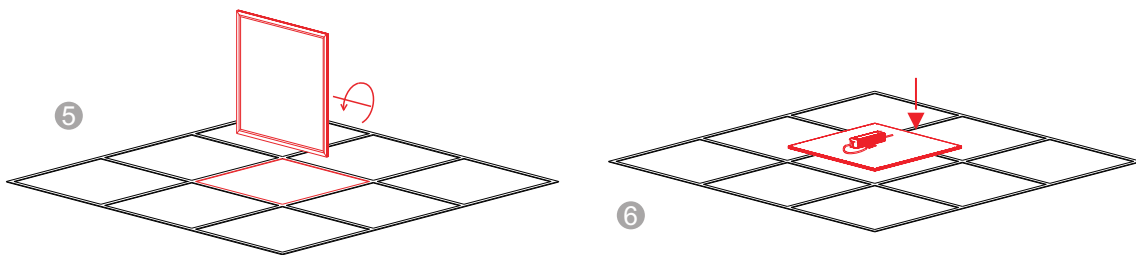
#### ⚠ Note:

- 1> Turn over panel light with 45° and put it on the ceiling board.  
Do not press or pass through ceiling board strongly.
- 2> Carefully install it so that it get a good lighting effect.
- 3> Consider the installation specification(Size) before choose the recessed panel light.

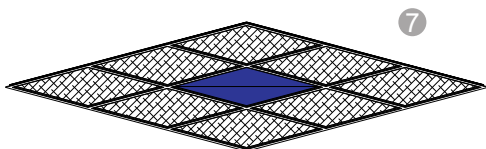
2. Take the lighting surface of panel light down.



3. Aligning the site of panel light and ceiling board and finish the installation.



4. The picture for finishing the installation and light it.

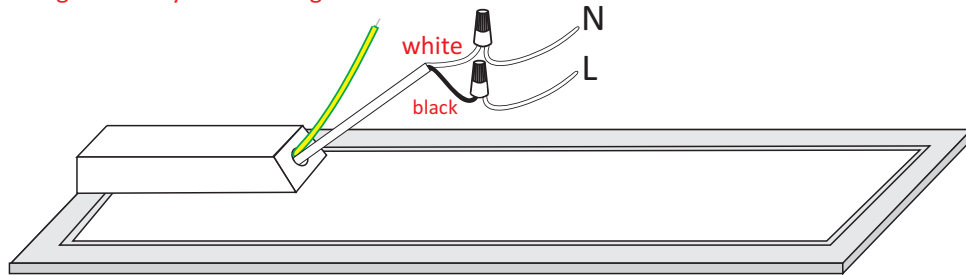


#### ⚠ Importance:

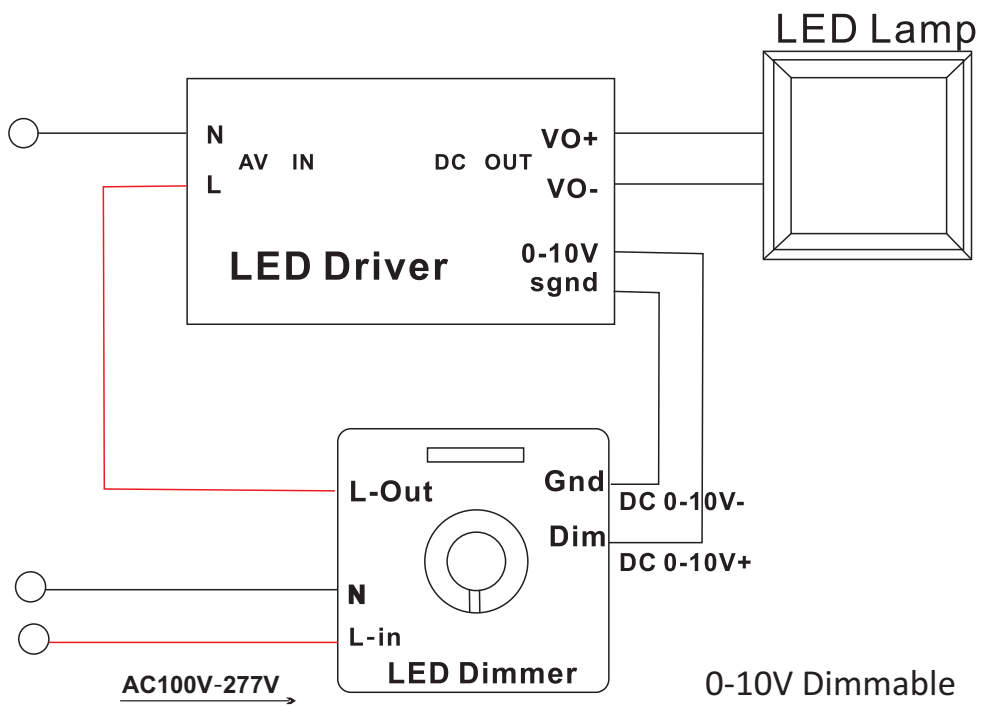
- 1> Finish the installation, check the connectors.
- 2> Check all connectors' "+" and "-" poles to be connected correctly.
- 3> Check the sites with screws are locked tightly or not.

Connection Mode

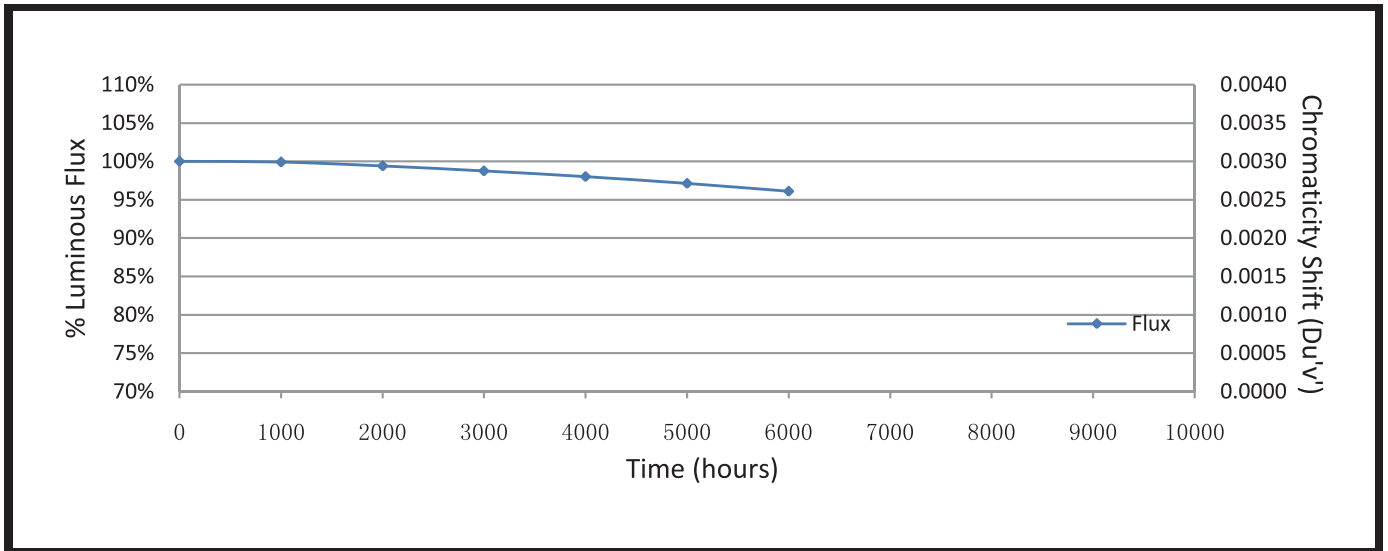
The green and yellow wire : ground wire



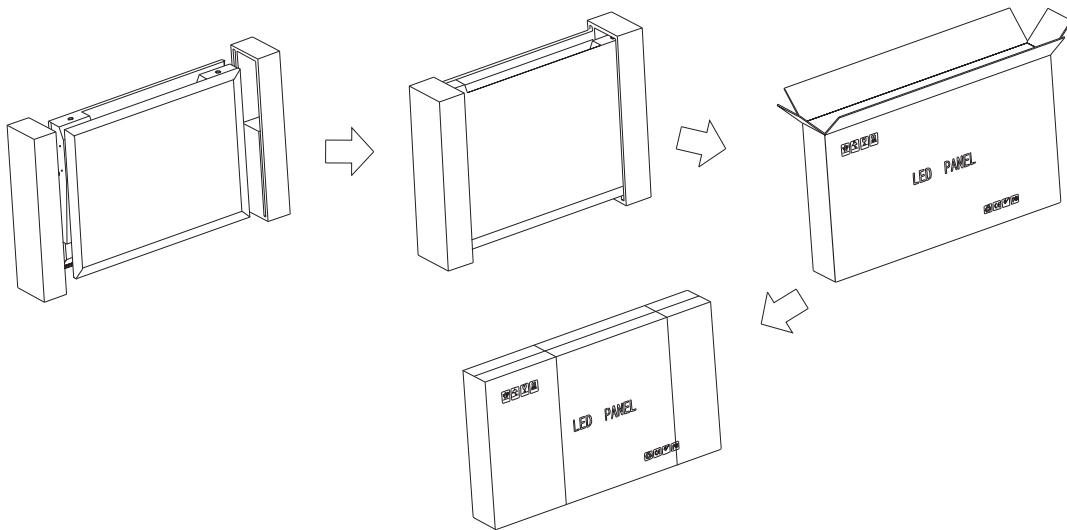
(1) Non-dimmable wiring diagram



## Luminous Decay Graph



## Packing Information



N. W :4.59kg  
Quantity : 2 pcs/carton