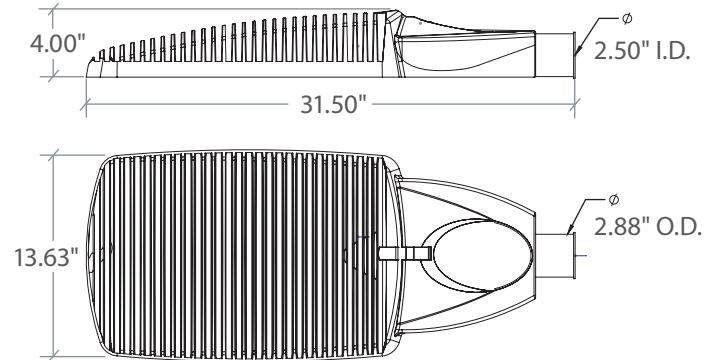


24VDC OPERATION



Incredible OFF GRID Operation

GENERAL DESCRIPTION

Neptun's Kometa™ LED Roadway fixtures combine architectural form and versatility to make it an excellent choice for new construction or retrofit applications. The Kometa fixture is offered in a variety of wattages to provide maximum flexibility in all types of applications. The 150 PCS High output LED's and custom engineered optics provide excellent uniformity and efficiency. The 24 Volt DC driver allows for compatible use with Solar or Wind powered systems. Used in applications replacing up to 400W HID Fixtures on Major Roadways & Highways.

APPLICATION

- Solar Street Lighting
- Solar Pathway Lighting
- Solar Parking Lot Lighting
- Solar Security Lighting
- Solar Storage Area Lighting

STRUCTURE, MATERIALS, & FEATURES

- Heavy-gauge, die-cast aluminum housing with cooling fins.
- Corrosion resistant electrocoat grey finish (custom colors available).
- Slim, state of the art, low profile design for minimum wind load resistance.
- Heat and impact resistant tempered flat glass lens. (IESNA full-cutoff)
- Toolless entry gear box for easy maintenance and installation.
- Continuous silicone gasket surrounds lens for IP66 weather tight seal.
- Optional NEMA Twistlock Photocell for increased energy savings.
- Correlated Color Temperature of (5000°K) for greater visibility and safety.
- High power factor, 24 Volt DC driver.
- InstantON flicker-free Cold Start and Hot Re-Start.
- Up to 15 years Maintenance free operation.
- 5 Year Warranty on complete fixture. (LED's, Driver, & Housing)

ORDERING INFORMATION

Sample Number: LED-452100-24VDC-750-T2A-LD-GRY
 Custom options and accessories available. Please consult factory

| Type | Series | Wattage | Voltage | Color Temp | Optics | Accessories | Color |
|------|---------------|---|----------------|--|---|---|------------|
| LED | 452 = Roadway | 100 = 100 W 120 = 120 W 150 = 150 W | 24VDC = 24 VDC | 735 = 3500°K 741 = 4100°K 750 = 5000°K * * Standard | T2A = Type II Asymmetrical T3A = Type III Asymmetrical | LD = Light Sensor/Photocell NEMA Twistlock | GRY = Grey |



PRODUCT INFORMATION

| Model No. | Description | Rated Watts | Input Watts | Initial Lumens | Input Line Voltage (VDC) | Max Line Current (Amp) | Power Factor | Weight |
|------------------|------------------|-------------|-------------|----------------|--------------------------|------------------------|--------------|--------|
| LED-452100-24VDC | LED Street Light | 100 | 102 | 8,000 | 24 | 4.37 | >0.98 | 32 lbs |
| LED-452120-24VDC | LED Street Light | 120 | 122 | 9,600 | 24 | 5.25 | >0.98 | 32 lbs |
| LED-452150-24VDC | LED Street Light | 150 | 152 | 12,000 | 24 | 6.56 | >0.98 | 32 lbs |

SPECIFICATIONS

- LED Driver Constant Current
- Power Supply 350mA
- Start Method InstantON
- Hot Re-start InstantON
- Input Line Voltage 24 VDC
- Input Line Frequency 50/60 Hz
- Driver Off-State Draw 0 Watts
- Sound Rating Class A
- LED / Driver System Life 70,000 Hrs.
- Lumen Maintenance @50,000Hrs > 70%
- Color Temperature 5000°K
- Color Rendering Index (CRI) > 70
- Minimum Starting Temperature -40°C
- Maximum Starting Temperature 50°C
- Lumens per Watt > 70
- Power Factor > 0.98
- Shock / Vibration Resistant Yes
- FCC Compliance Part 18, Subp. C
- EPA Rating 0.77
- Housing IP Rating IP65
- Optics IP Rating IP66
- Warranty 5 Year

MOUNTING OPTIONS

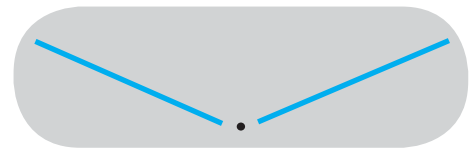


Accepts
1-1/4" - 2-3/8" O.D.
Tenon or Pipe

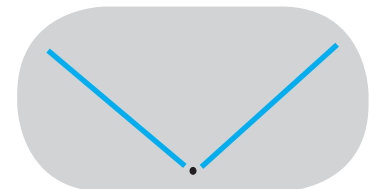


(2) 5-16" Stainless Steel Bolts

PHOTOMETRICS (See Complete IES File)



TYPE II ASYMMETRICAL



TYPE III ASYMMETRICAL