

SHOEBOX.M



FIXTURE CODE: **SBM**

LIGHT ENGINE RETROFITS

- L70 Rated life of 100,000+ hours
- Minimum CRI: 70; Custom CRI available upon request.
- Operating temp: -30° C to +60° C
- No toxic chemicals/ROHS compliant
- ETL certified, meets UL and CSA standards
- Eligible for Rebates
- 50-90% energy savings
- Manufactured in the USA

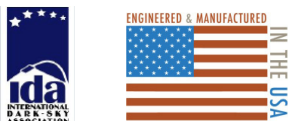
INSTALLATION

- Licensed electrician required
- Contact Noribachi for additional support

WARRANTY

- 5-year manufacturer's warranty
- **10YR** - Optional 10-year manufacturer's warranty
- U.S. manufacturing and quality control

CERTIFICATIONS



APPEARANCE

HOUSING	LENS	MOUNTING	DIFFUSION
<ul style="list-style-type: none"> • BRONZE • COL - CUSTOM 	<ul style="list-style-type: none"> • TEMPERED GLASS 	<ul style="list-style-type: none"> • TRUNNION • SLIP FITTER 	<ul style="list-style-type: none"> • NONE • LUMINIT FILM

FIXTURE INFORMATION

- EPA Rating: 0.96
- IP Rating 65

ELECTRICAL CHARACTERISTICS

- Standard AC input: up to 480 VAC
- EMI filter: 47CFR, part 2, part 15
- Power factor: >.9
- Total harmonic distortion: <20%
- Surge protection: IEC/EN 61000-4-5 EMC test standard

OPTIONAL UPGRADES

- **PC1** - 120V button photocell
 - **PC2** - 208-277V button photocell
 - **HV1** - 480V up to 150W
 - **HV2** - 480V greater than 150W
 - **TR** - Trunnion Mount
 - **SF** - Slip-fitter Mount
 - **AM6R** - 6" Arm Mount for Round Pole¹
 - **AM10R** - 10" Arm Mount for Round Pole¹
 - **PMOCC120** - Pole Mounted Occupancy Sensor 120V
 - **PMOCC277** - Pole Mounted Occupancy Sensor 277V
 - **EM** - Emergency Battery Backup, 5W, 600 Lumens, 90 Minutes*
 - **EMC** - Emergency Battery Backup Cold, 23W, 2000 lumens, 90 minutes*
 - **AM6** - 6" Arm Mount
 - **AM10** - 10" Arm Mount
 - **VRG** - Vandal Resistant Guards
 - **SH** - Shield
 - **SQBRK** - Wall Mount Bracket
 - **WG** - Wire Guard
 - **V** - Visor
- *MUST PROVIDE EXACT VOLTAGE REQUIREMENTS
¹ MUST PROVIDE POLE DIAMETER

OPTIONAL BEAM SPREAD AND TYPE DISTRIBUTION

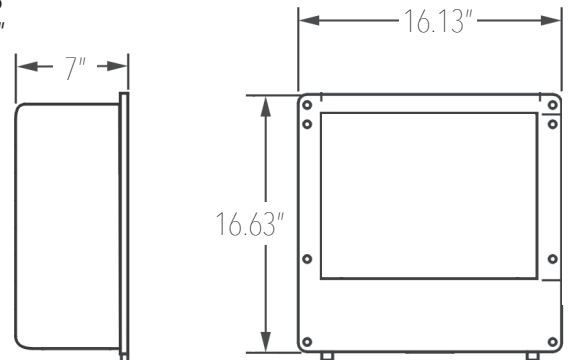
- **80D** - Optional 80° Beam Spread
- **T1** - Optional Type 1 Distribution *For LIN-072, HEX-084¹, HEX-126¹
- **T2** - Optional Type 2 Distribution *For LIN-072,HEX-084¹, HEX-126¹
- **T3** - Optional Type 3 Distribution *For LIN-072,HEX-084¹, HEX-126, LIN-140¹
- **T4** - Optional Type 4 Distribution *For HEX-063, LIN-072,HEX-084, HEX-105, HEX-126, LIN-140¹
- **TRS or TLS** - Optional Right or Left Slanted Distribution*
 For HEX-063¹, LIN-072, HEX-105¹, HEX-084¹,HEX-126¹, LIN-140¹

*Applicable for listed light engine retrofits only

¹ Applies to rectangular light engine retrofit geometries only

DIMENSIONS

HEIGHT: 16.63"
 WIDTH: 16.13"
 DEPTH: 7"



SHOEBOX.M

AVAILABLE LIGHT ENGINE RETROFITS



HEX-063

<i>DRIVE CURRENT</i>	<i>WATTAGE</i>	<i>REPLACES</i>	<i>LUMEN OUTPUT</i>	<i>CATALOG #</i>
B	95W	200-400W	13,293lm	HEX-063-B-CW-MT-SBM

LIN-072

<i>DRIVE CURRENT</i>	<i>WATTAGE</i>	<i>REPLACES</i>	<i>LUMEN OUTPUT</i>	<i>CATALOG #</i>
B	108W	225-435W	15,192lm	LIN-072-B-CW-MT-SBM

HEX-084

<i>DRIVE CURRENT</i>	<i>WATTAGE</i>	<i>REPLACES</i>	<i>LUMEN OUTPUT</i>	<i>CATALOG #</i>
B	126W	300-525W	17,724lm	HEX-084-B-CW-MT-SBM

HEX-105

<i>DRIVE CURRENT</i>	<i>WATTAGE</i>	<i>REPLACES</i>	<i>LUMEN OUTPUT</i>	<i>CATALOG #</i>
B	158W	400-650W	22,155lm	HEX-105-B-CW-MT-SBM

HEX-126

<i>DRIVE CURRENT</i>	<i>WATTAGE</i>	<i>REPLACES</i>	<i>LUMEN OUTPUT</i>	<i>CATALOG #</i>
B	189W	550-800W	26,586lm	HEX-126-B-CW-MT-SBM

SHOEBOX.M

AVAILABLE LIGHT ENGINE RETROFITS



LIN-140

<i>DRIVE CURRENT</i>	<i>WATTAGE</i>	<i>REPLACES</i>	<i>LUMEN OUTPUT</i>	<i>CATALOG #</i>
B	210W	750-1000W	29,540lm	LIN-140-B-CW-MT-SBM