

NORIBACHI SHOEBOX.L



FIXTURE CODE: **SBL**

LIGHT ENGINE RETROFITS

- L70 Rated life of 100,000+ hours
- Minimum CRI: 70; Custom CRI available upon request.
- Operating temp: -30° C to +60° C
- No toxic chemicals/ROHS compliant
- ETL certified, meets UL and CSA standards
- Eligible for Rebates
- 50-90% energy savings
- Manufactured in the USA

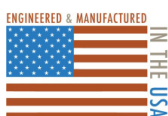
INSTALLATION

- Licensed electrician required
- Contact Noribachi for additional support

WARRANTY

- 5-year manufacturer's warranty
- **10YR** - Optional 10-year manufacturer's warranty
- U.S. manufacturing and quality control

CERTIFICATIONS



APPEARANCE

HOUSING	LENS	MOUNTING	DIFFUSION
<ul style="list-style-type: none"> • DARK BRONZE • COL - CUSTOM 	<ul style="list-style-type: none"> • TEMPERED GLASS 	<ul style="list-style-type: none"> • TRUNNION • SLIP FITTER 	<ul style="list-style-type: none"> • NONE • LUMINIT FILM

FIXTURE INFORMATION

- EPA Rating: 2.02
- IP Rating 65

ELECTRICAL CHARACTERISTICS

- Standard AC input: up to 480 VAC
- EMI filter: 47CFR, part 2, part 15
- Power factor: >.9
- Total harmonic distortion: <20%
- Surge protection: IEC/EN 61000-4-5 EMC test standard

OPTIONAL UPGRADES

- **PC1** - 120V button photocell
- **PC2** - 208-277V button photocell
- **HV1** - 480V up to 150W
- **HV2** - 480V greater than 150W
- **TR** - Trunnion Mount
- **SF** - Slip-fitter Mount
- **AM6R** - 6" Arm Mount for Round Pole¹
- **AM10R** - 10" Arm Mount for Round Pole¹
- **PMOCC120** - Pole Mounted Occupancy Sensor 120V
- **PMOCC277** - Pole Mounted Occupancy Sensor 277V
- **EM** - Emergency Battery Backup, 5w, 600 Lumens, 90 Minutes*
- **EMC** - Emergency Battery Backup Cold, 23W, 2000 lumens, 90 minutes*
- **AM6** - 6" Arm Mount
- **AM10** - 10" Arm Mount
- **SH** - Shield
- **V** - Visor
- **WG** - Wire Guard
- **SQBRK** - Wall Mount Bracket⁺

⁺6" OR 10" ARM MOUNT REQUIRED

*MUST PROVIDE EXACT VOLTAGE REQUIREMENTS

¹ MUST PROVIDE POLE DIAMETER

OPTIONAL BEAM SPREAD AND TYPE DISTRIBUTION

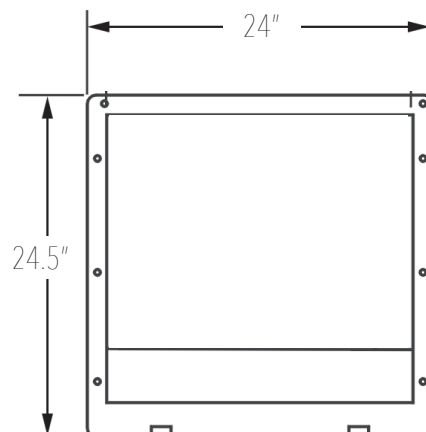
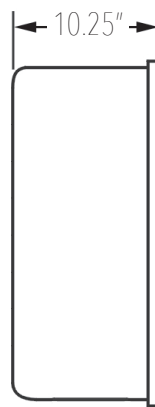
- **80D** - Optional 80° Beam Spread
- **T4** - Optional Type 4 Distribution* For HEX-168, HEX-210, HEX-252
- **TRS or TLS** - Optional Right or Left Slanted Distribution* For HEX-168¹, HEX-210¹, HEX-252¹

* Applicable for listed light engine retrofits only

¹ Applies to rectangular light engine retrofit geometries only

DIMENSIONS

HEIGHT: 24.5"
WIDTH: 24"
DEPTH: 10.25"



SHOEBOX.L

AVAILABLE LIGHT ENGINE RETROFITS



HEX-168

<i>DRIVE CURRENT</i>	<i>WATTAGE</i>	<i>REPLACES</i>	<i>LUMEN OUTPUT</i>	<i>CATALOG #</i>
B	252W	725-1200W	35,448lm	HEX-168-B-CW-MT-SBL

HEX-210

<i>DRIVE CURRENT</i>	<i>WATTAGE</i>	<i>REPLACES</i>	<i>LUMEN OUTPUT</i>	<i>CATALOG #</i>
B	315W	1000-1450W	44,310lm	HEX-210-B-CW-MT-SBL

HEX-252

<i>DRIVE CURRENT</i>	<i>WATTAGE</i>	<i>REPLACES</i>	<i>LUMEN OUTPUT</i>	<i>CATALOG #</i>
B	378W	1250-1700W	53,172lm	HEX-252-B-CW-MT-SBL