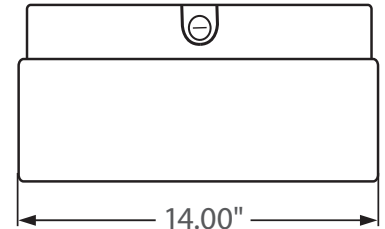
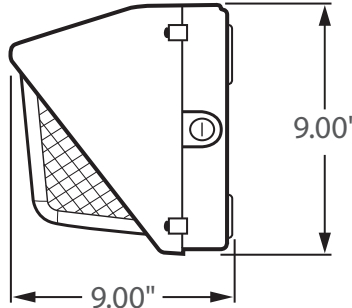




**DESIGNLIGHTS**  
CONSORTIUM

Please check latest update for complete information.  
[http://www.designlights.org/solidstate.about.QualifiedProductsList\\_Publicv2.php](http://www.designlights.org/solidstate.about.QualifiedProductsList_Publicv2.php)



Incredible **70,000 hrs**

### GENERAL DESCRIPTION

Neptun's 14" LED Flood Type Wall Pack fixtures feature classic form and durability to make it an excellent choice for new construction or retrofit applications. Neptun's LED Wall Pack fixtures feature a bright white 5000°K color temperature for increased safety and security. It can replace existing HID & HPS fixtures up to 150 Watts.

### APPLICATION

- Building Accent Lighting
- Landscape Lighting
- Security Lighting
- Parking Lot Lighting
- Area Lighting
- Storage Area Lighting

### STRUCTURE, MATERIALS, & FEATURES

- Heavy-gauge, die-cast aluminum housing.
- Custom designed anodized aluminum reflectors for superior illuminance.
- Silicone potted heat sink for increased life.
- Heat and impact resistant borosilicate glass lens.
- Corrosion resistant electrocoat dark bronze finish (custom colors available).
- Hinged aluminum door frame incorporates stainless steel hardware.
- Continuous silicone gasket surrounds lens for weather - tight seal.
- Correlated Color Temperature of (5000°K) for greater visibility and safety.
- 40 PCS High Output LED's.
- High power factor, low THD driver.
- InstantON flicker-free Cold Start and Hot Re-Start.
- Up to 15 years Maintenance free operation.
- 5 Year Warranty on complete fixture. (LED's, Driver, & Housing)

### ORDERING INFORMATION

Sample Number: LED-21040FLD-UNV-750-LD-120V-BRZ  
Custom options and accessories available. Please consult factory

Source	Series	Wattage	Type	Voltage	Color Temp.	Accessories	Color
LED	21 = Wall Pack	040 = 40 W 055 = 55 W 070 = 70 W	FLD = Flood Type	UNV = 120-277 VAC	735 = 3500°K 741 = 4100°K 750 = 5000°K* * Standard	LD-120V = Photocell for 120V LD-277V = Photocell for 277V MD = Motion Sensor Detector	BRZ = Dark Bronze * Custom Colors available



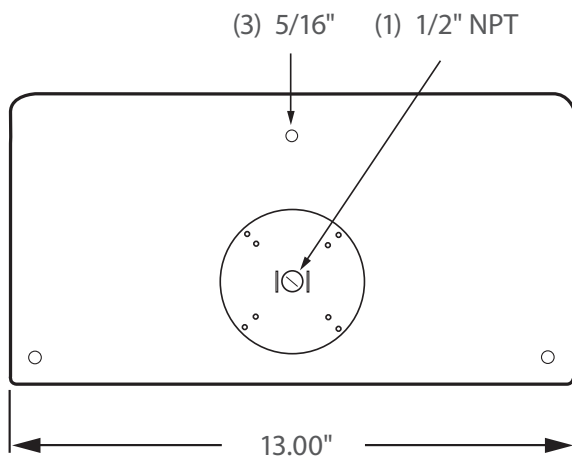
### PRODUCT INFORMATION

Model No.	Description	Rated Watts	Input Watts	Initial Lumens	Universal Line Voltage (VAC)	Max Line Current (Amp) @ 120 - 277	THD	Power Factor	Weight
LED-21040FLD-UNV	Wall Pack - Flood Type	40	41	3,000	120-277	0.35 - 0.15	<15%	>0.98	15 lbs
LED-21055FLD-UNV	Wall Pack - Flood Type	55	57	4,125	120-277	0.48 - 0.20	<15%	>0.98	15 lbs
LED-21070FLD-UNV	Wall Pack - Flood Type	70	72	5,250	120-277	0.61 - 0.26	<15%	>0.98	15 lbs

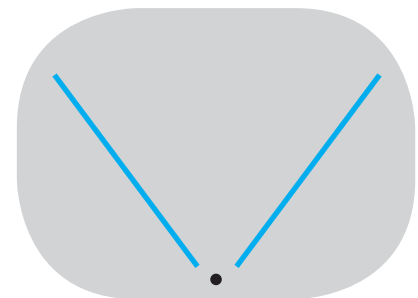
### SPECIFICATIONS

- LED Driver ..... Constant Current
- Power Supply ..... 350mA
- Start Method ..... InstantON
- Hot Re-start ..... InstantON
- Universal Input Line Voltage ..... 120-277 VAC
- Input Line Frequency ..... 50/60 Hz
- Ballast Off-State Draw ..... 0 Watts
- Sound Rating ..... Class A
- ANSI Surge Protection ..... Class A
- LED / Driver System Life ..... 70,000 Hrs.
- Lumen Maintenance @50,000Hrs ..... > 70%
- Color Temperature ..... 5,000°K
- Color Rendering Index (CRI) ..... > 70
- Minimum Starting Temperature ..... -40°C
- Maximum Starting Temperature ..... 50°C
- Lumens per Watt ..... > 70
- Shock / Vibration Resistant ..... Yes
- Power Factor ..... > 0.98
- Total Harmonic Distortion ..... < 15%
- Inrush Current Peak ..... < 10 Amp
- ETL Listed / UL Standard 1598 ..... Yes
- FCC Compliance ..... Part 18, Subp. C
- IP Rating ..... IP65
- Warranty ..... 5 Year

### MOUNTING OPTIONS



### PHOTOMETRICS (See Complete IES File)



Type IV Distribution