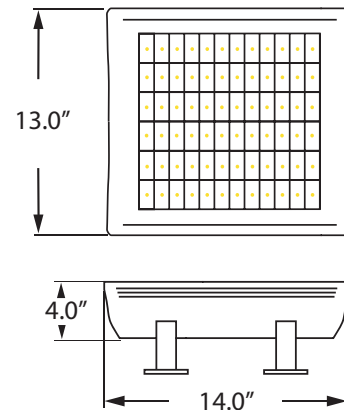


# LED - 14" Low Profile - Tunnel Fixture

70,000 HRS Life

The Next Generation of Lighting



## Specification:

- LED Driver Constant Current Type	Electronic
- Start Method	InstantON
- Hot Re-start	InstantON
- Universal Input Line Voltage	120-277 VAC
- Input Line Frequency	50/60 Hz
- System Life	70,000 Hrs.
- Lumen Maintenance @50,000Hrs	>85%
- Color Temperature	5000°K
- Color Rendering Index (CRI)	>75
- Minimum Operating Temperature	- 40 °F
- Maximum Ambient Temperature	125°F
- Power Factor	> 0.98
- Total Harmonic Distortion	< 10%
- Inrush Current Peak	<10 Amp
- FCC Compliance	Part 18, Subp. C

## Applications, Features, and Benefits

- Can be used for indoor, outdoor, and freezer applications.
- Heat and impact resistant tempered glass lens with anti-glare diffuser
- Die-cast aluminum housing with electrocoat gray paint
- 70,000 Hrs MTTF LED Driver/Power Supply
- InstantON(TM) flicker-free Cold Start and Hot Re-Start
- 72 PCS High output LED's
- High Power Factor, Low THD Driver
- Concealed continuous gasket seals against harmful dust, dirt, moisture and insects
- IP65 Rated for wet locations
- Up to 15 years Maintenance free operation
- 5 Year Warranty on complete fixture (LED's, Driver, housing)
- Slim , state of art, low profile design
- Universal swivel mounting bracket allows for desired fixture tilt and can be ceiling or wall mounted.
- Optional:
  - Motions Sensor Detector (MD) for increased energy savings

## Product Information

Item No.	Description	Watts	Initial Lumens	Line Voltage Supply	Line Current	Total Harmonic Distortion (THD)	Power Factor	Packaging Dimensions		
								Width	Length	Height
LED-49040-14	LED Tunnel Fixture	40	3,000	120-277 VAC	0.34 - 0.15 Amp	<10%	>0.98	15.0 in. 381 mm	16.0 in. 406 mm	9.0in. 228 mm
LED-49055-14	LED Tunnel Fixture	55	4,125	120-277 VAC	0.48 - 0.20 Amp	<10%	>0.98	15.0 in. 381 mm	16.0 in. 406 mm	9.0in. 228 mm
LED-49070-14	LED Tunnel Fixture	70	5,250	120-277 VAC	0.61 - 0.26 Amp	<10%	>0.98	15.0 in. 381 mm	16.0 in. 406 mm	9.0in. 228 mm

Fixture Weight = 25 lbs.

## Ordering Information

(SAMPLE NUMBER : LED-49040-14-750-UNV-MD-DGRY )

<b>Type</b> LED	<b>Series</b> 49 = Highbay	<b>Wattage</b> 040 = 40W 055 = 55W 070 = 70W	<b>Size</b> 14 = 14" Housing	<b>Color Temp</b> 735 = 3500K 741 = 4100K 750 = 5000K (standard)	<b>Voltage</b> UNV = Universal 480 = 480V	<b>Accessories</b> MD = Motion Sensor	<b>Color</b> DGRY = Dark Gray * custom colors available
--------------------	-------------------------------	---	---------------------------------	---	---	--	---

**NEPTUN**  
LIGHTING®

