

Dimensions in inches

Product Type	A(max.)	B(max.)	C(max.)
30W (6')	71.8"	71.4"	71.22"
39W (6')	71.8"	71.4"	71.22"

Incredible 70,000 hrs

GENERAL DESCRIPTION

Neptun's high performance LED T8 tubes are designed for the replacement of existing T8 fluorescent lighting systems. The 88 series tubes are offered in a variety of color temperatures for flexibility in all types of applications. The frosted lens allows for an evenly illuminated glow resembling existing fluorescent tubes. Very low temperature operation saves on HVAC costs and long life greatly reduces maintenance costs. The self-ballasted design allows for easy installation into most commonly used T-8 system fixtures.

APPLICATION


- Office Lighting
- School Lighting
- Healthcare Lighting
- Storage Lighting
- Retail Lighting

STRUCTURE, MATERIALS, & FEATURES

- Aluminum backing for excellent thermal management.
- Frosted non yellowing polycarbonate lens for even glow. (Glare Free)
- Correlated Color Temperatures of 3500°K, 4100°K, & 5000°K.
- Mercury free design.
- No radiated EMI interference.
- 576 PCS High Output LED's.
- High power factor, low THD internal driver.
- InstantON flicker-free Cold Start and Hot Re-Start.
- Up to 15 years Maintenance free operation.
- 5 Year Warranty.

ORDERING INFORMATION

Sample Number: LED-88030-UNV-841-1P-R17D
 Custom options and accessories available. Please consult factory

Source	Series	Wattage	Voltage	Color Temp.	Wiring Config.	Options
LED = LED	88 = T8 Tubes	030 = 30 W 039 = 39 W	UNV = 120-277 VAC	835 = 3500°K 841 = 4100°K 850 = 5000°K	1P = Single Ended 2P = Dual Ended	R17D = Recessed Double Contact Caps 



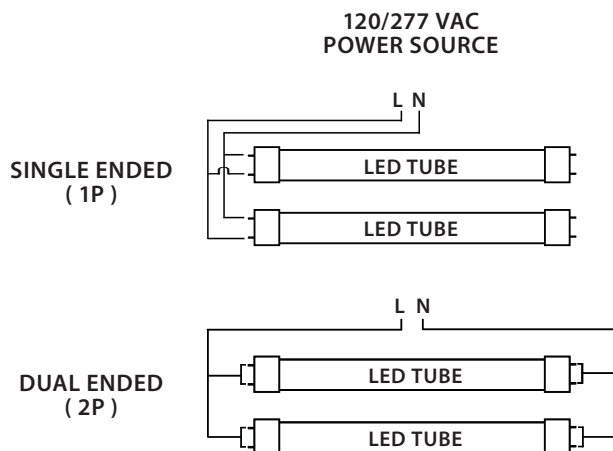
PRODUCT INFORMATION

Model No.	Watts	Input Line Current (Amp) @ 120 - 277	Power Factor	THD	Color Temp. CCT (°K)	CRI	Lumens	Lm/W	Nominal Length (Inch)	Base	Beam Angle
LED-88030-UNV-835	30	0.262-0.113	>0.90	<20%	3,500°	>80	2,850	95	72"	Bi-Pin	120°
LED-88030-UNV-841	30	0.262-0.113	>0.90	<20%	4,100°	>80	2,880	96	72"	Bi-Pin	120°
LED-88030-UNV-850	30	0.262-0.113	>0.90	<20%	5,000°	>80	2,910	97	72"	Bi-Pin	120°
LED-88039-UNV-835	39	0.341-0.147	>0.90	<20%	3,500°	>80	3,705	95	72"	Bi-Pin	120°
LED-88039-UNV-841	39	0.341-0.147	>0.90	<20%	4,100°	>80	3,744	96	72"	Bi-Pin	120°
LED-88039-UNV-850	39	0.341-0.147	>0.90	<20%	5,000°	>80	3,783	97	72"	Bi-Pin	120°

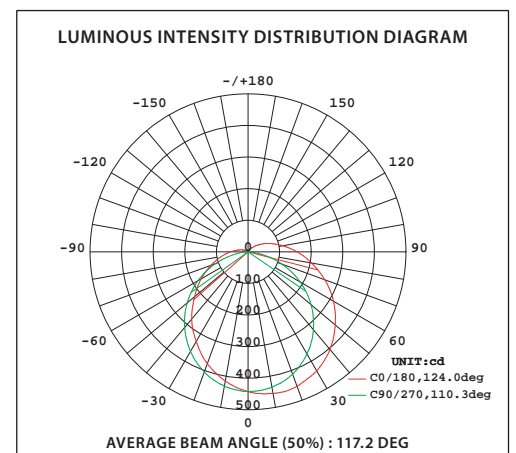
SPECIFICATIONS

- LED Driver Self-Ballasted
- Power Supply 350mA
- Start Method InstantON
- Hot Re-start InstantON
- Universal Input Line Voltage 120-277 VAC
- Input Line Frequency 50/60 Hz
- Ballast Off-State Draw 0 Watts
- Sound Rating Class A
- ANSI Surge Protection Class A
- LED / Driver System Life 70,000 Hrs.
- Lumen Maintenance @50,000Hrs > 70%
- Color Temperature Various
- Color Rendering Index (CRI) > 80
- Minimum Starting Temperature -35°C
- Maximum Starting Temperature 45°C
- Lumens per Watt > 95
- Shock / Vibration Resistant Yes
- Power Factor > 0.90
- Total Harmonic Distortion < 20%
- ETL Listed / UL Standard 1993 Yes
- FCC Compliance Part 18, Subp. C
- Warranty 5 Year

WIRING DIAGRAM (See Complete Installation Instructions)



PHOTOMETRICS



Neptun Light, Inc.
13950 Business Center Drive
Lake Forest, IL 60045
Fax: 847.735.8004

Neptun Light, Inc. reserves the right to change materials or modify the design of its product without notification as part of the company's continuing product improvement program.
©2002-2013 Neptun Light, Inc. All rights reserved.

Spec. Rev. 5-2014