

Dimensions in inches

Product Type	A(max.)	B(max.)	C(max.)
18W (4')	47.8"	47.4"	47.22"

## Incredible 70,000 hrs

### GENERAL DESCRIPTION

Neptun's MASTERFIT 4' LED T8 tubes are designed for the replacement of existing T8 fluorescent lighting systems. The unique design allows for compatible use with any Instant Start T8 Ballast with no rewiring involved. These tubes can also be used without an electronic ballast and wired directly to 120-277VAC power source. The 88 series tubes are offered in a variety of color temperatures for flexibility in all types of applications. The frosted lens allows for an evenly illuminated glow resembling existing fluorescent tubes. Very low temperature operation saves on HVAC costs and long life greatly reduces maintenance costs.

### APPLICATION


- Office Lighting
- School Lighting
- Healthcare Lighting
- Storage Lighting

### STRUCTURE, MATERIALS, & FEATURES

- Aluminum backing for excellent thermal management.
- Frosted non yellowing polycarbonate lens for even glow. (Glare Free)
- Correlated Color Temperatures of 3500°K, 4100°K, & 5000°K.
- Compatible with all Instant Start T8 electronic ballast systems.
- Compatible with 120-277VAC power source.
- InstantON flicker-free Cold Start and Hot Re-Start.
- High power factor, low THD internal driver.
- Up to 15 years Maintenance free operation.
- No radiated EMI interference.
- 360 PCS High Output LED's.
- Up to 105 lumens per watt.
- Mercury free design.
- 5 Year Warranty.

### ORDERING INFORMATION

Sample Number: LED-ISMF-88018-UNV-841-R17D  
Custom options and accessories available. Please consult factory

Series	Type	Wattage	Voltage	Color Temp.	Options
<b>LED-ISMF</b> = Instant Start Master Fit LED * * Compatible with Instant Start Electronic Ballast * Suitable for use with no ballast and can be wired to 120-277VAC power source	<b>88</b> = T8 Tubes	<b>018</b> = 18 W	<b>UNV</b> = 120-277 VAC	<b>835</b> = 3500°K <b>841</b> = 4100°K <b>850</b> = 5000°K	<b>R17D</b> = Recessed Double Contact Caps 

\*\* Tube ships w/ standard bi-pin base



## PRODUCT INFORMATION

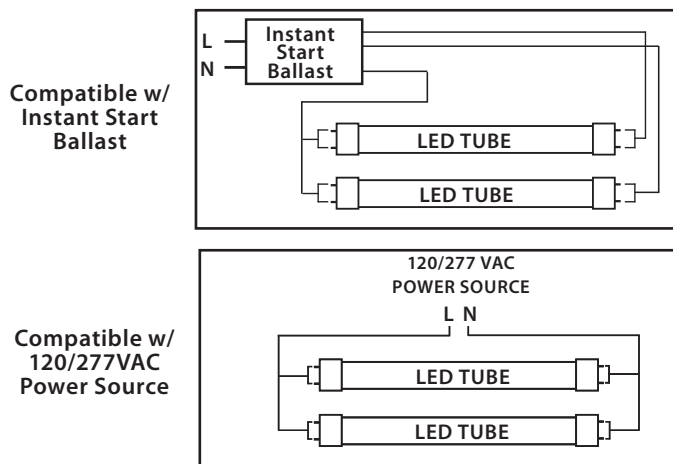
Model No.	Watts	Input Line Current (Amp) @ 120 - 277	Power Factor	THD	Color Temp. CCT (°K)	CRI	Lumens	Lm/W	Nominal Length (Inch)	Beam Angle
LED-ISMF-88018-UNV-835	18	0.157-0.068	>0.90	<20%	3,500°	>80	1,854	103	48"	120°
LED-ISMF-88018-UNV-841	18	0.157-0.068	>0.90	<20%	4,100°	>80	1,872	104	48"	120°
LED-ISMF-88018-UNV-850	18	0.157-0.068	>0.90	<20%	5,000°	>80	1,890	105	48"	120°

\*\* Input Wattage varies based on Instant Start Ballast Factor

## SPECIFICATIONS

- Compatible Ballast ..... Instant-Start
- LED Driver ..... Self-Ballasted
- Power Supply ..... 350mA
- Start Method ..... InstantON
- Hot Re-start ..... InstantON
- Universal Input Line Voltage ..... 120-277 VAC
- Input Line Frequency ..... 50/60 Hz
- Ballast Off-State Draw ..... 0 Watts
- Sound Rating ..... Class A
- ANSI Surge Protection ..... Class A
- LED / Driver System Life ..... 70,000 Hrs.
- Lumen Maintenance @50,000Hrs ..... > 70%
- Color Temperature ..... Various
- Color Rendering Index (CRI) ..... > 80
- Minimum Starting Temperature ..... -35°C
- Maximum Starting Temperature ..... 45°C
- Lumens per Watt ..... > 100
- Shock / Vibration Resistant ..... Yes
- Power Factor ..... > 0.90
- Total Harmonic Distortion ..... < 20%
- ETL Listed / UL Standard 1993 ..... Yes
- FCC Compliance ..... Part 18, Subp. C
- Warranty ..... 5 Year

## WIRING DIAGRAM (See Complete Installation Instructions)



## PHOTOMETRICS

