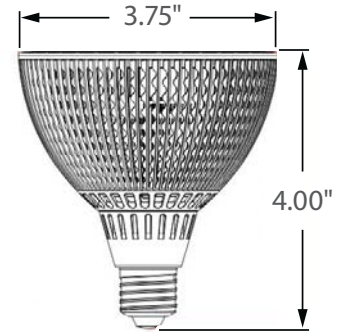




Operates on
120-277 VAC



Incredible **70,000** hrs

GENERAL DESCRIPTION

Neptun's high performance LED Par30 bulbs are designed for the replacement of existing incandescent or halogen bulbs up to 60W. The LED-930 series bulbs are offered in a variety of color temperatures for flexibility in all types of applications. Its universal operating voltage allows for use in 120V or 277V applications.

APPLICATION

- Suitable for use in outdoor and indoor environments
- Not for use in fully enclosed fixtures
- Not for use where directly exposed to water

STRUCTURE, MATERIALS, & FEATURES

- Finned aluminum casting for excellent thermal management.
- Flat polycarbonate shatterproof lens. (Glare Free)
- Wide variety of Correlated Color Temperatures.
- High Luminous Efficacy: >70 Lm/W
- Environmental Friendly - mercury and lead free.
- RoHS Compliant.
- No UV or IR radiation.
- 7 PCS High Output LED's.
- Integrated high efficiency driver.
- Superior lumen maintenance of 70% after 50,000 hours of use.
- Up to 15 years Maintenance free operation.
- 5 Year Warranty.

ORDERING INFORMATION

Sample Number: LED-93008-UNV-741-E26
Custom options and accessories available. Please consult factory

Source	Series	Wattage	Voltage	Color Temp	Base
LED = LED	930 = PAR 30	08 = 8 W 12 = 12 W	UNV = 120-277 VAC	723 = 2300°K 727 = 2700°K 730 = 3000°K 741 = 4100°K 750 = 5000°K 765 = 6500°K	E26 = Medium Base



PRODUCT INFORMATION

Model No.	Watts	Input Line Current (Amp) @ 120-277VAC	Power Factor	THD	CCT (°K)	CRI	Lumens	Lm/W	Base	Beam Angle
LED-93008-UNV-723	8	0.069-0.030	>0.90	<15%	2,300°	>70	568	71	E26	30°
LED-93008-UNV-727	8	0.069-0.030	>0.90	<15%	2,700°	>70	592	74	E26	30°
LED-93008-UNV-730	8	0.069-0.030	>0.90	<15%	3,000°	>70	600	75	E26	30°
LED-93008-UNV-741	8	0.069-0.030	>0.90	<15%	4,100°	>70	648	81	E26	30°
LED-93008-UNV-750	8	0.069-0.030	>0.90	<15%	5,000°	>70	664	83	E26	30°
LED-93008-UNV-765	8	0.069-0.030	>0.90	<15%	6,500°	>70	680	85	E26	30°
LED-93012-UNV-723	12	0.105-0.045	>0.90	<15%	2,300°	>70	852	71	E26	30°
LED-93012-UNV-727	12	0.105-0.045	>0.90	<15%	2,700°	>70	888	74	E26	30°
LED-93012-UNV-730	12	0.105-0.045	>0.90	<15%	3,000°	>70	900	75	E26	30°
LED-93012-UNV-741	12	0.105-0.045	>0.90	<15%	4,100°	>70	972	81	E26	30°
LED-93012-UNV-750	12	0.105-0.045	>0.90	<15%	5,000°	>70	996	83	E26	30°
LED-93012-UNV-765	12	0.105-0.045	>0.90	<15%	6,500°	>70	1,020	85	E26	30°

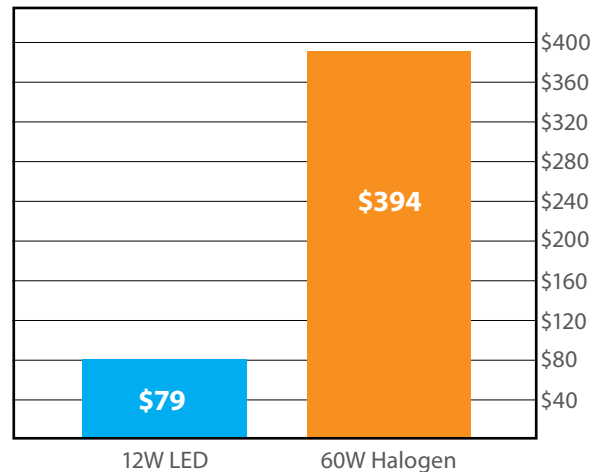
SPECIFICATIONS

- LED Driver Constant Current
- Power Supply 350mA
- Start Method InstantON
- Hot Re-start InstantON
- Universal Input Line Voltage 120-277 VAC
- LED / Driver System Life 70,000 Hrs.
- Lumen Maintenance @50,000Hrs > 70%
- Color Temperature Various
- Color Rendering Index (CRI) > 70
- Minimum Starting Temperature -40°C
- Maximum Starting Temperature 50°C
- Lumens per Watt > 70
- Power Factor > 0.90
- Total Harmonic Distortion < 15%
- FCC Compliance Part 18, Subp. C
- Warranty 5 Year

ENERGY SAVINGS

75% Energy Savings

Operation Costs Comparison over Life of LED Bulb



*Based on \$0.10 kw/H
*12Hrs. per Day Usage