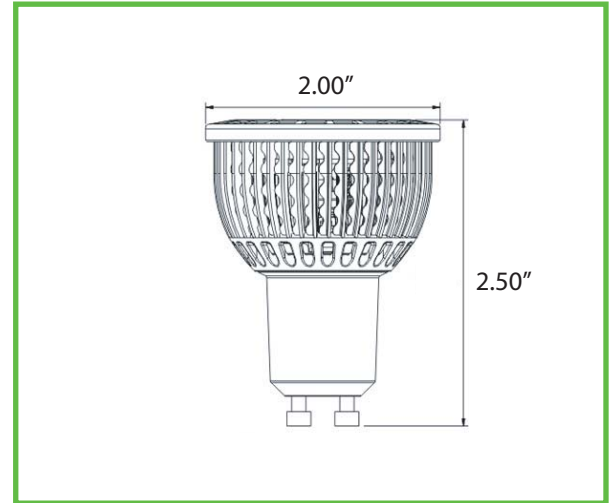


# LED-MR16 GU-10

35° BEAM  
120 VAC



**NEPTUN**  
L I G H T<sup>®</sup>  
*lightinnovations@work*<sup>™</sup>



## Technical Data: LED MR-16 GU-10

Item Number	Watts	Input Line Current At 120 VAC	Beam Angle	Power Factor	THD	M.O.L. (Inch)	D (Inch)	Base	Color Temp. (°K)	CRI	Lumens	Lm/W	Energy Savings Replacements for Halogen		
													Watts	Lumens	Lm/W
LED-MR1605-730-120-GU10	5	0.062 A	35°	>0.50	<15%	2.50	2.00	GU-10	3000	>76	225	45	25	300	12
LED-MR1605-750-120-GU10	5	0.062 A	35°	>0.50	<15%	2.50	2.00	GU-10	5000	>76	240	48	25	300	12
LED-MR1605-765-120-GU10	5	0.062 A	35°	>0.50	<15%	2.50	2.00	GU-10	6500	>76	250	50	25	300	12

APPLICATION INFORMATION: SUITABLE FOR USE IN INDOOR & OUTDOOR ENVIRONMENTS: TRACK LIGHTS AND RECESSED CANS  
NOT FOR USE IN FULLY ENCLOSED FIXTURES  
NOT FOR USE WHERE DIRECTLY EXPOSED TO WATER

## Features and Benefits

- \* Color Temperature of 3000°K - Matching Halogen MR-16 bulbs
- \* Reliable start at the lowest setting
- \* 35° Beam Angle
- \* InstantON and Instant Full Brightness
- \* High Luminous Efficacy: Up to 50 Lm/W
- \* Integrated high efficiency driver
- \* Wide range of operation ambient temperatures: -20°C - +60°C
- \* New! Patented Technology: Any working position with stable light output
- \* Superior Lumen Maintenance of 70% after 50,000 hours of use
- \* Maintenance free - Long Life operation
- \* No UV or IR radiation
- \* Environmentally Friendly - mercury and lead free
- \* RoHS Compliant
- \* 5 Year Warranty

**NEPTUN**  
L I G H T<sup>®</sup>

© Copyright 2012 NEPTUN LIGHT, Inc.

