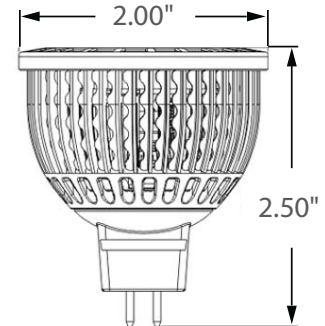




Operates on
12VDC



Incredible **70,000** hrs

GENERAL DESCRIPTION

Neptun's high performance LED MR16 - GU-10 bulbs are designed for the replacement of existing halogen bulbs up to 25W. The LED-MR16 series bulbs are offered in a variety of color temperatures for flexibility in all types of applications. Its operating voltage allows for use in 12VDC applications.

APPLICATION

- Suitable for use in indoor environments
- Not for use in fully enclosed fixtures
- Not for use where directly exposed to water

STRUCTURE, MATERIALS, & FEATURES

- Finned aluminum casting for excellent thermal management.
- Flat polycarbonate shatterproof lens. (Glare Free)
- Wide variety of Correlated Color Temperatures.
- High Luminous Efficacy: >65 Lm/W
- Environmental Friendly - mercury and lead free.
- RoHS Compliant.
- No UV or IR radiation.
- 5 PCS High Output LED's.
- Integrated high efficiency driver.
- Superior lumen maintenance of 70% after 50,000 hours of use.
- Up to 15 years Maintenance free operation.
- 5 Year Warranty.

ORDERING INFORMATION

Sample Number: LED-MR1605-12V-730-GU-5.3
Custom options and accessories available. Please consult factory

Source	Series	Wattage	Voltage	Color Temp	Base
LED = LED	MR16 = PAR 16	05 = 5 W	12V = 12 VDC	730 = 3000°K 750 = 5000°K 765 = 6500°K	GU-5.3 = GU-5.3



PRODUCT INFORMATION

Model No.	Watts	Input Line Current (Amp) @ 12VDC	Power Factor	THD	CCT (°K)	CRI	Lumens	Lm/W	Base	Beam Angle
LED-MR1605-12V-730	5	0.437	>0.90	<15%	3,000°	>75	350	70	GU-5.3	35°
LED-MR1605-12V-750	5	0.437	>0.90	<15%	5,000°	>75	375	75	GU-5.3	35°
LED-MR1605-12V-765	5	0.437	>0.90	<15%	6,500°	>75	390	78	GU-5.3	35°

SPECIFICATIONS

- LED Driver Constant Current
- Power Supply 350mA
- Start Method InstantON
- Hot Re-start InstantON
- Input Line Voltage 12VDC
- LED / Driver System Life 70,000 Hrs.
- Lumen Maintenance @50,000Hrs > 70%
- Color Temperature Various
- Color Rendering Index (CRI) > 75
- Minimum Starting Temperature -40°C
- Maximum Starting Temperature 50°C
- Lumens per Watt > 65
- Power Factor > 0.90
- Total Harmonic Distortion < 15%
- FCC Compliance Part 18, Subp. C
- Warranty 5 Year

ENERGY SAVINGS

75% Energy Savings

*Based on \$0.10 kw/H
*12Hrs. per Day Usage

Operation Costs Comparison over Life of LED Bulb

