



**EDGE
LIT**



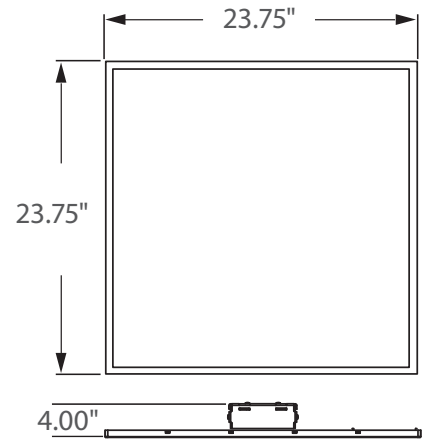
Please check latest update for complete information.
http://www.designlights.org/solidstate.about.QualifiedProductsList_Publicv2.php

**** AVAILABLE ****

Analog 0% — 100% Triac Dimming

0 - 10V

FULL DIMMING



Incredible **70,000** hrs

GENERAL DESCRIPTION

Neptun's high performance Edge Lit LED 2 x 2 drop in panels combine architectural form and versatility to make it an excellent choice for new construction or retrofit applications. The 51 series panels are offered in a variety of color temperatures and wattages for flexibility in all types of applications. The edge lit design produces an evenly illuminated glow. Very low temperature operation saves on HVAC costs and long life greatly reduces maintenance costs. Easily installs into most commonly used T-Bar grids.

APPLICATION

- Office Lighting
- School Lighting
- Healthcare Lighting

STRUCTURE, MATERIALS, & FEATURES

- Heat sink white aluminum frame for excellent heat dissipation.
- Aluminum backing for excellent thermal management.
- Polyester powder coated frame with white finish.
- Slim, state of the art, low profile design.
- Correlated Color Temperatures of 3500°K, 4100°K, & 5000°K.
- 50 PCS High Output LED's.
- High power factor, low THD driver.
- InstantON flicker-free Cold Start and Hot Re-Start.
- Up to 15 years Maintenance free operation.
- 5 Year Warranty on complete fixture. (LED's, Driver, & Housing)
- **Optional:** Analog/Triac Dimming, 0-10V Dimming, Remote Monitoring, Emergency Battery Backup

ORDERING INFORMATION

Sample Number: LED-51030-UNV-0-10VDIM-841
 Custom options and accessories available. Please consult factory

Source	Series	Wattage	Driver System	Options	Color Temp.
LED = LED	51 = 2 x 2 panel	030 = 30 W 036 = 36 W 045 = 45 W 050 = 50 W	UNV = 120-277 VAC UNV-0-10VDIM = 0-10V Dimming 120V-ADIM = 120V Analog/Triac Dimming	EM-BB = Emergency Battery Backup	835 = 3500°K 841 = 4100°K 850 = 5000°K



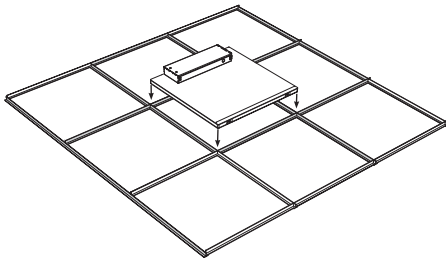
PRODUCT INFORMATION

Model No.	Description	Rated Watts	Input Watts	Initial Lumens	Universal Line Voltage (VAC)	Max Line Current (Amp) @ 120 - 277	THD	Power Factor	Weight
LED-51030-UNV	2x2 Ceiling Panel	30	31	2,700	120-277	0.26 - 0.11	<20%	>0.90	11 lbs
LED-51036-UNV	2x2 Ceiling Panel	36	37	3,240	120-277	0.31 - 0.13	<20%	>0.90	11 lbs
LED-51045-UNV	2x2 Ceiling Panel	45	46	4,050	120-277	0.39 - 0.17	<20%	>0.90	11 lbs
LED-51050-UNV	2x2 Ceiling Panel	50	51	4,250	120-277	0.43 - 0.18	<20%	>0.90	11 lbs

SPECIFICATIONS

- LED Driver Constant Current
- Power Supply 350mA
- Driver UL Rating Class 1
- Start Method InstantON
- Hot Re-start InstantON
- Input Line Voltage 120-277 VAC
- Input Line Frequency 50/60 Hz
- Ballast Off-State Draw 0 Watts
- Sound Rating Class A
- LED / Driver System Life 70,000 Hrs.
- Lumen Maintenance @50,000Hrs > 70%
- Color Temperature 3,500°K, 4,100°K, 5,000°K
- Color Rendering Index (CRI) > 80
- Minimum Starting Temperature -10°C
- Maximum Starting Temperature 40°C
- Lumens per Watt > 85
- Shock / Vibration Resistant Yes
- Power Factor > 0.90
- Total Harmonic Distortion < 20%
- Inrush Current Peak < 10 Amp
- FCC Compliance Part 15, Subp. C
- IP Rating IP43
- Warranty 5 Year

MOUNTING OPTIONS



T-BAR GRID SYSTEM

- Easy drop in installation in to standard 2x2 t-bar grid system.
- Power cord whip provided.