

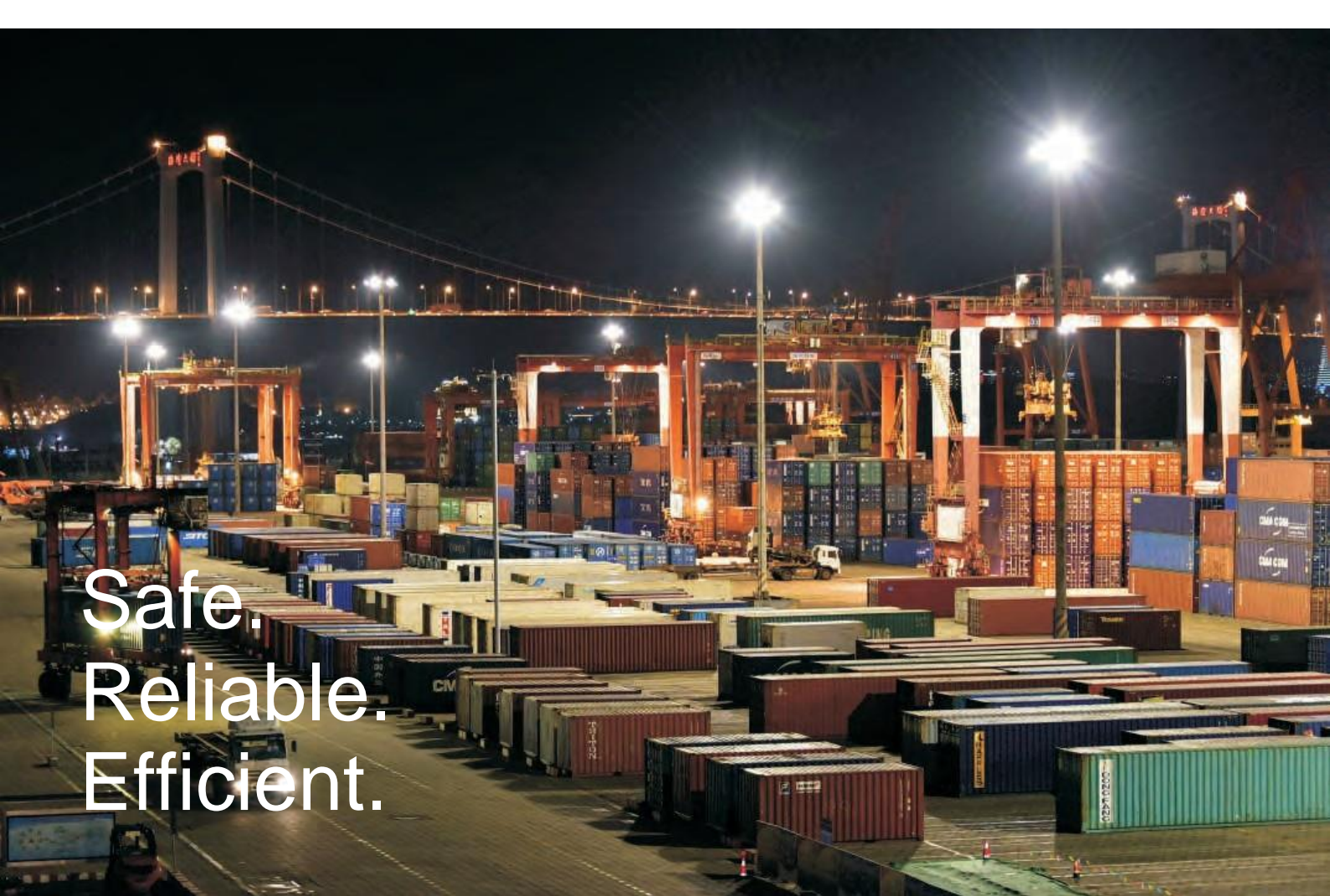


# HAZARDOUS LOCATIONS LIGHT SPECIFICATION



**G Series**





Safe.  
Reliable.  
Efficient.

## Ratings and Certifications

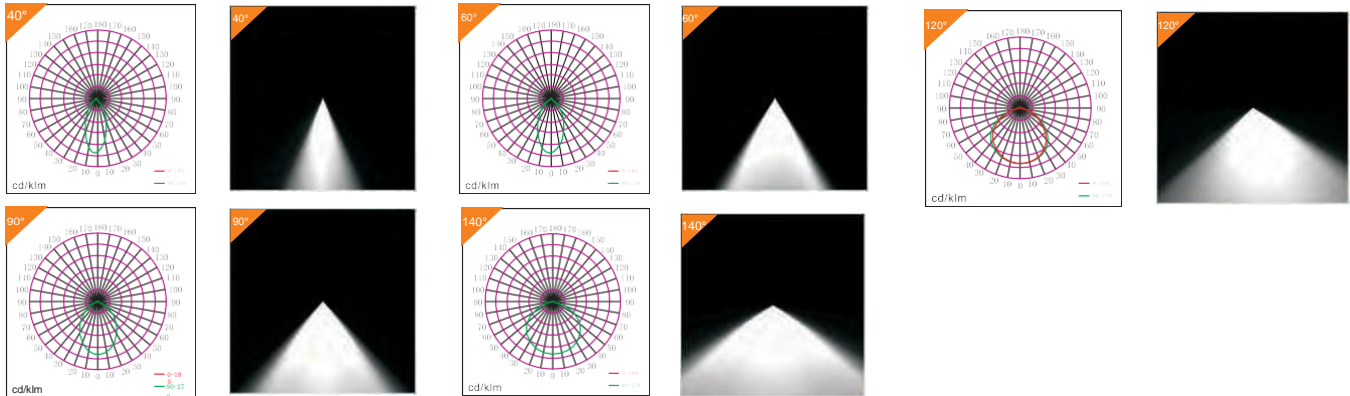
- NEMA 4X, IP66
- UL1598/UL1598A/UL844
- CSA C22.2 No.137/No.250.0
- Class I, Division 1, Groups C, D
- Class I, Division 2, Groups A, B, C, D
- Class II, Division 1, Groups E, F, G
- Class II, Division 2, Groups E, F, G
- Class III
- Marine and Wet Locations
- IECEX
- ATEX
- 5 years or other warranty period specified in agreement
- L70 rating for more than 150000 hours

## Applications

This luminaire can be used as flood light, wall pack and area light which can provide general illumination in hazardous locations, such as:

1. Oil refineries and Gas station
2. Oil and gasoline loading dock
3. Distillery
4. Painting manufacturing plant
5. Pumping station
6. Mine
7. Vessel
8. Other high humidity, high temperature, dusty location

## Professional Light Distribution



## Typical model specification

Product Number	Wattage	Color	Voltage	Lumens	Working Hours	CRI
EX-10W GYZDA	10	4000K-5700K	AC100-277V	1000	5 years	70
EX-20W GYZDA	20	4000K-5700K	AC100-277V	2000	5 years	70
EX-30W GYZDA	30	4000K-5700K	AC100-277V	3000	5 years	70
EX-40W GYZDA	40	4000K-5700K	AC100-277V	4000	5 years	70

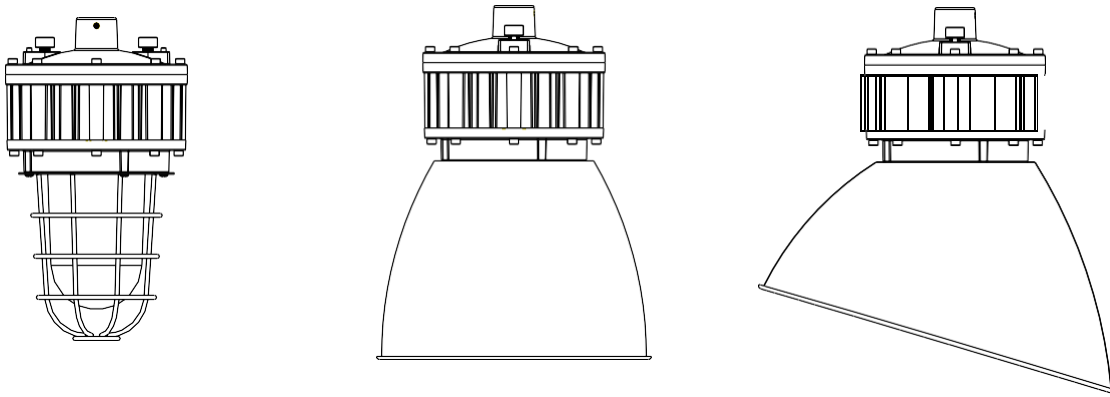
"G"=Product series "Y"=D or N:Dimmable or non-dimmable "Z"= CCT, from 4000~5700K "D"=Beam angle: 40°, 60°, 90°, 120°

## Features

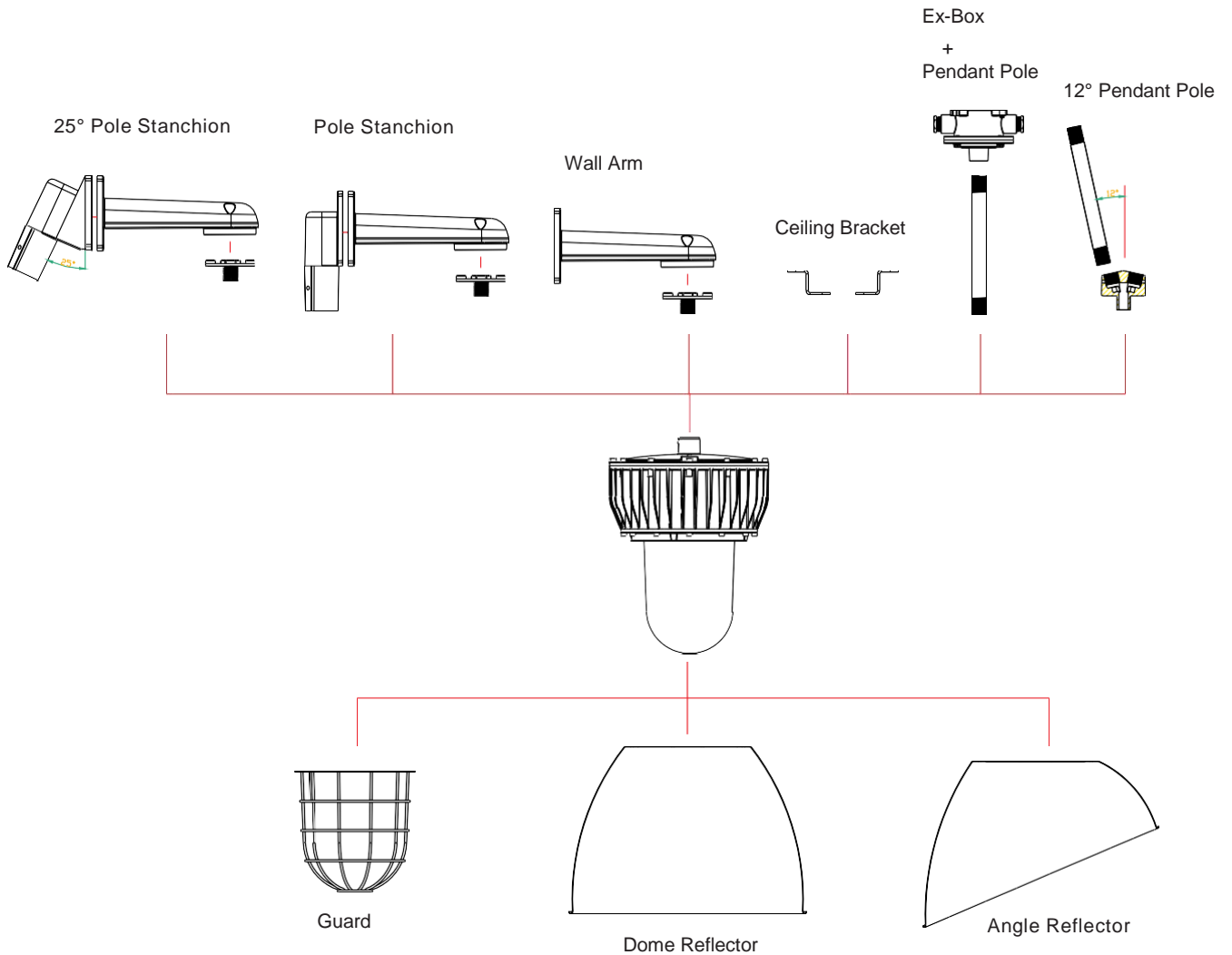
- High efficacy: up to 100lm/W
- CRI>70
- Surface mounting and pendant installation
- Wide and narrow optics for uniform illumination
- Copper free aluminum
- High vibration resistance

**Mechanical information**

	Size (in)
AC100-277V models	6.8x6.8x16.1

**Structure diagram**

## Mounting method



## Warranty

Only offer 5 year's warranty or any other warranty period specified in the contract for the product from the date of purchase:

- Invoice or shipment bill is required to claim the warranty.
- The warranty policy only requires manufacturer to repair the defective product or send substitute for replacement.
- Installation labor, electricity cost and other related cost will not be covered by the manufacturer warranty policy.
- Warranty doesn't cover the defect caused by inappropriate use, especially if directions of the instructions for use are not observed, normal abrasion as well as failures which affect the value or use of the product insignificantly.