



Ledsion Lighting Technology Co.,Ltd

Spec. Sheet of LED Flood Light



①

Energy-saving

Saving more than 80% power Energy than traditional lamps

②

Eco-friendly

No UV/IR, Safe solid Light source, No Mecury & lead.

③

Easy to use

Instant Start , No Flicker ,Free main-tance

④

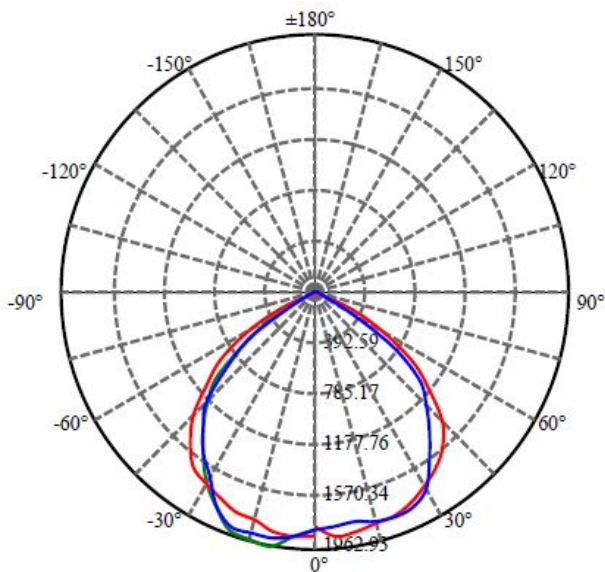
Long life-span

More than 80,000 hours long lifespan. Low light failure.

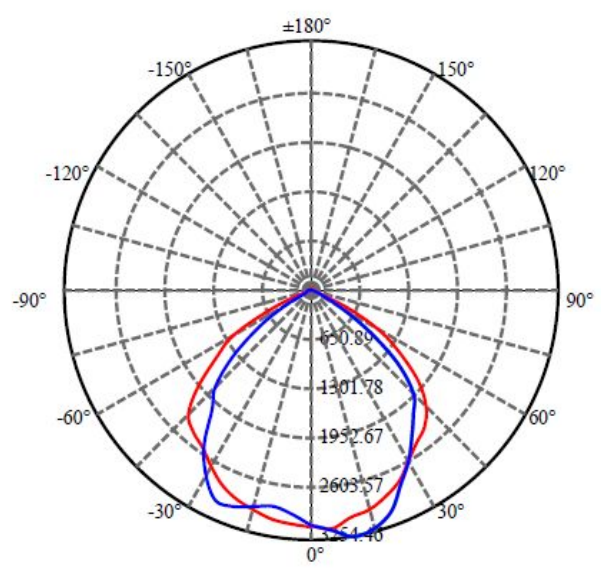
Technical Parameters

Model #	LS-FL50W	LS-FL80W	LS-FL100W	LS-FL120W	LS-FL150W	LS-FL200W
Power	50W	80W	100W	120W	150W	200W
Voltage	90-277VAC					
Working Frequency	50/60HZ					
Luminous Flux	4500LM	7200LM	9000LM	10800LM	13500LM	18000LM
Power Factor	>0.9					
Color Temperature	WW: 2700 - 3300K NW:4000 - 4500K CW: 5000 - 5500K					
CRI	Ra >= 75					
Beam Angle	130°					
Working Temperature	-30 ~+60°C					
IP Rate	IP65 waterproof					
Life Span	50000hrs life span, 5 years warranty					
Certificate	ETL cETL DLC Approved					

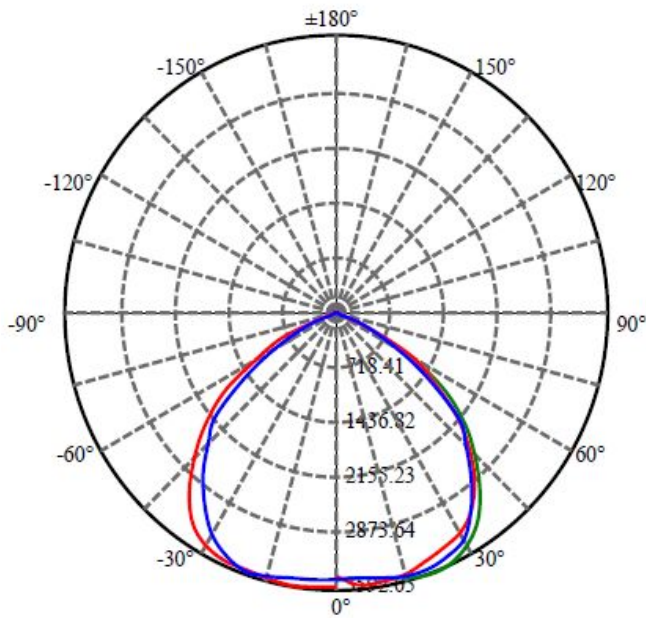
Light Distribution Curve [Unit:cd]



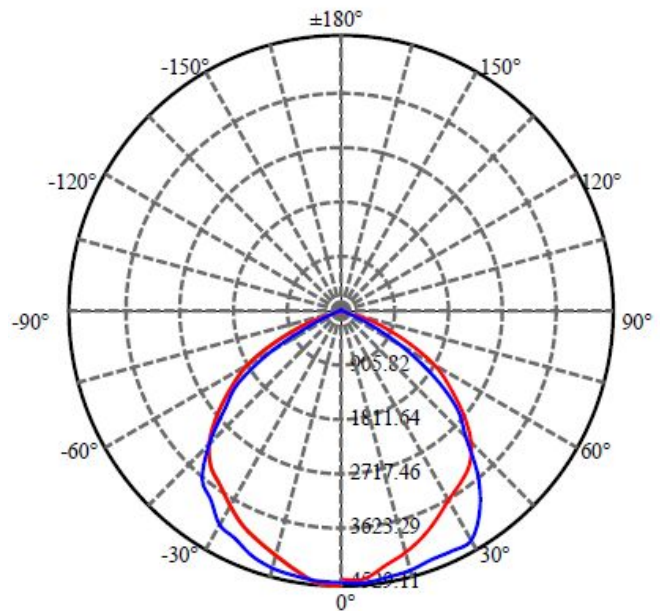
LS-FL50W



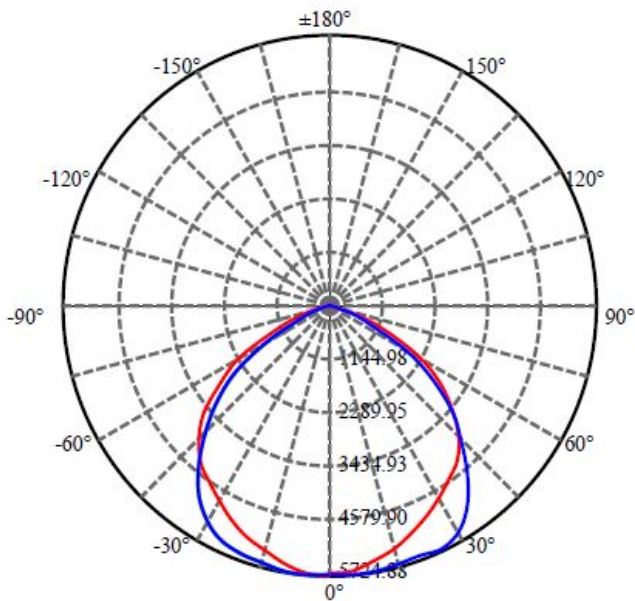
LS-FL80W



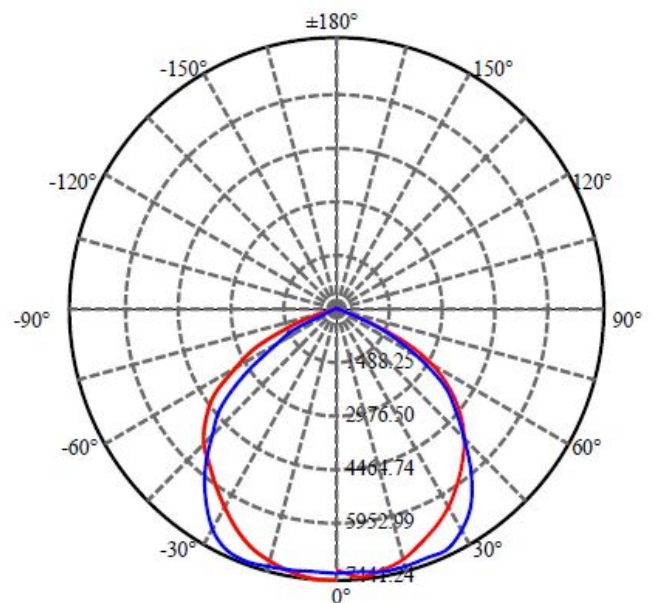
LS-FL120W



LS-FL150W



LS-FL150W



LS-FL200W

C0/C180: ———

C90/C270: ———

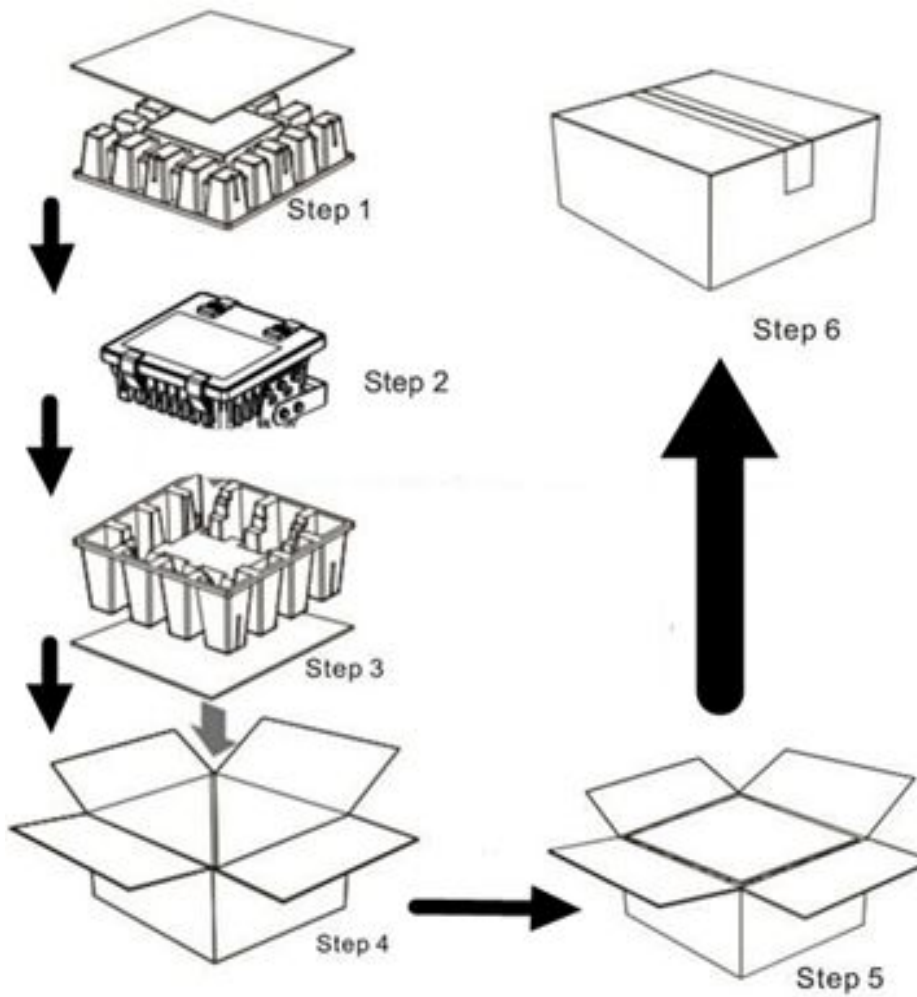
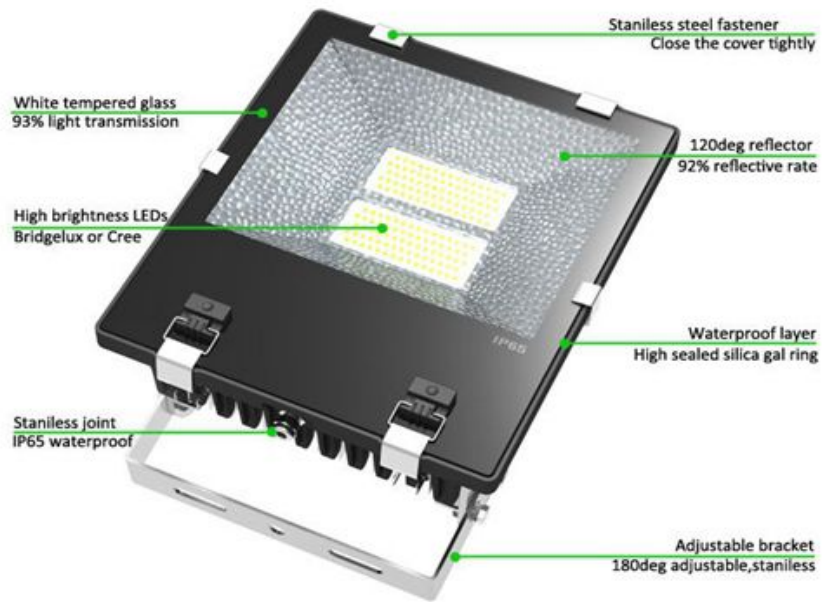
Field angle(10%Imax):C0/180Left:71.0 Right:71.6

:C90/270Left:68.4 Right:69.9

Beam Angle(50%Imax):C0/180Left:55.6 Right:55.5

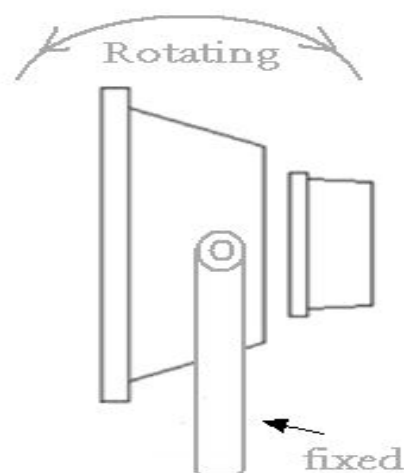
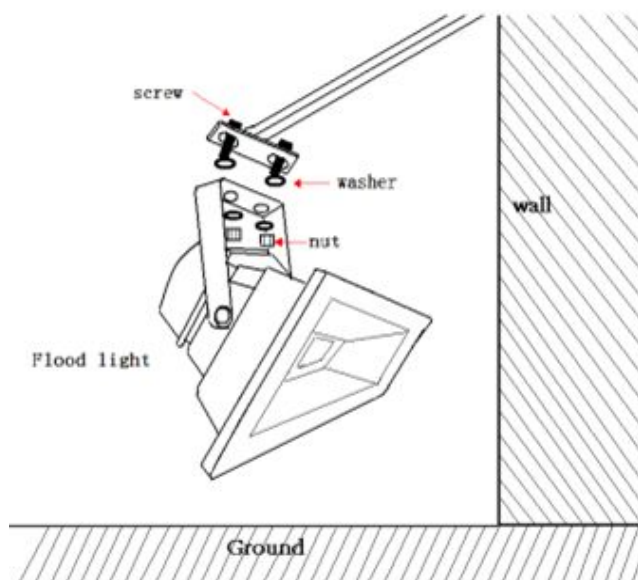
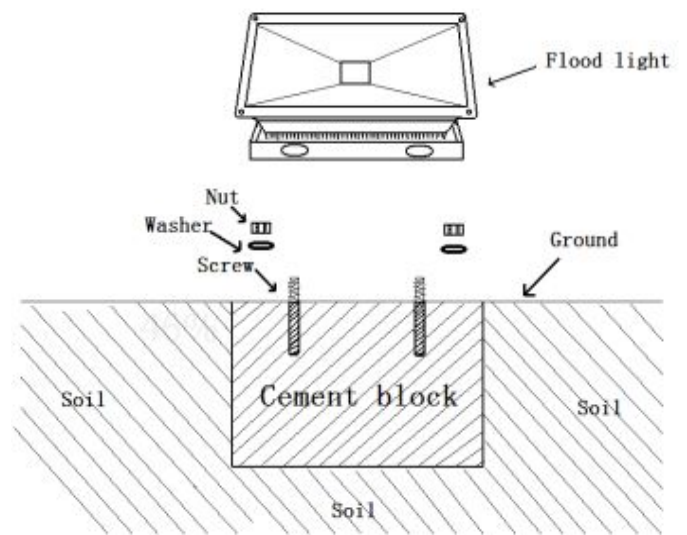
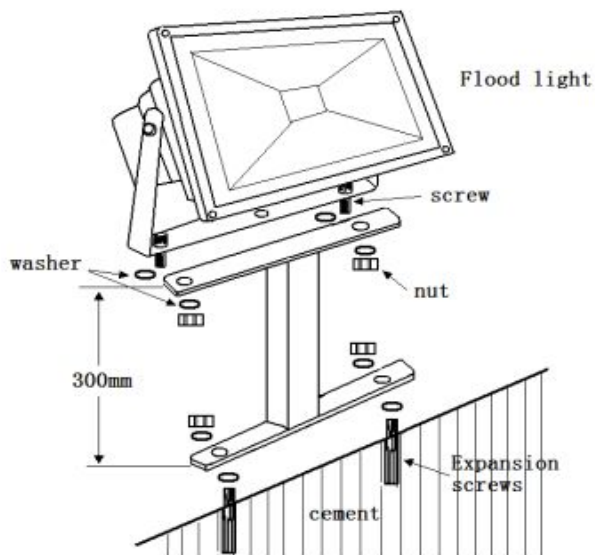
:C90/270Left:52.1 Right:53.9

Product Details



Installation

1. Before installation, please check the installation guide as Diagram 1, Diagram 2 and Diagram 3
2. Please fix the stands of the fixtures on the mounting holes and lock the stands by screws
3. Ensure the luminous direction is down. just like Diagram 4 shows.
4. Connect (L: Black N: White GND: Green), According to the American connection standard
- 5.IP grade: IP65
- 6.Switch on power
- 7.Please see attach connect instruction.



Products Applications

LED Flood is widely used for outdoor as Ads, Decoration and wall lighting etc.

