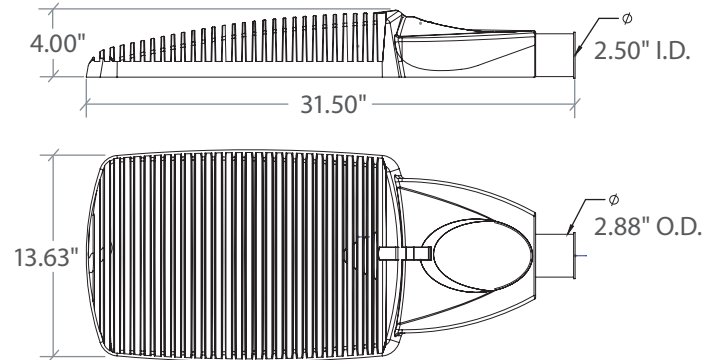


24VDC OPERATION



Incredible OFF GRID Operation

GENERAL DESCRIPTION

Neptun's Kometa™ LED Street Light fixtures combine architectural form and versatility to make it an excellent choice for new construction or retrofit applications. The Kometa fixture is offered in a variety of wattages to provide maximum flexibility in all types of applications. Custom engineered Type II & III Asymmetrical optics provide excellent uniformity and efficiency. The 24 Volt DC driver allows for compatible use with Solar or Wind powered systems. It can replace existing HID fixtures up to 250W.

APPLICATION

- Solar Street Lighting
- Solar Pathway Lighting
- Solar Parking Lot Lighting
- Solar Security Lighting
- Solar Storage Area Lighting

STRUCTURE, MATERIALS, & FEATURES

- Heavy-gauge, die-cast aluminum housing with cooling fins.
- Corrosion resistant electrocoat grey finish (custom colors available).
- Slim, state of the art, low profile design for minimum wind load resistance.
- Heat and impact resistant tempered flat glass lens. (IESNA full-cutoff)
- Toolless entry gear box for easy maintenance and installation.
- Continuous silicone gasketing surrounds lens for IP66 weather tight seal.
- Optional NEMA Twistlock Photocell for increased energy savings.
- Correlated Color Temperature of (5000°K) for greater visibility and safety.
- 150 PCS High Output LED's.
- High power factor, 24 Volt DC driver.
- InstantON flicker-free Cold Start and Hot Re-Start.
- Up to 15 years Maintenance free operation.
- 5 Year Warranty on complete fixture. (LED's, Driver, & Housing)

ORDERING INFORMATION

Sample Number: LED-45100-24VDC-750-T2A-LD-GRY
 Custom options and accessories available. Please consult factory

Type	Series	Wattage	Voltage	Color Temp	Accessories	Color
LED	45 = Street Light	100 = 100 W 110 = 110 W 120 = 120 W 130 = 130W	24VDC = 24VDC	735 = 3500°K 741 = 4100°K 750 = 5000°K * * Standard	LD = Light Sensor/Photocell NEMA Twistlock	GRY = Grey



PRODUCT INFORMATION

Model No.	Description	Rated Watts	Input Watts	Initial Lumens	Input Line Voltage (VDC)	Max Line Current (Amp)	Power Factor	Weight
LED-45100-24VDC	LED Street Light	100	102	7,500	24	4.37	>0.98	32 lbs
LED-45110-24VDC	LED Street Light	110	112	8,250	24	4.81	>0.98	32 lbs
LED-45120-24VDC	LED Street Light	120	122	9,000	24	5.25	>0.98	32 lbs
LED-45130-24VDC	LED Street Light	130	132	9,750	24	5.68	>0.98	32 lbs

SPECIFICATIONS

- LED Driver Constant Current
- Power Supply 350mA
- Start Method InstantON
- Hot Re-start InstantON
- Input Line Voltage 24 VDC
- Input Line Frequency 50/60 Hz
- Driver Off-State Draw 0 Watts
- Sound Rating Class A
- LED / Driver System Life 70,000 Hrs.
- Lumen Maintenance @50,000Hrs > 70%
- Color Temperature 5000°K
- Color Rendering Index (CRI) > 70
- Minimum Starting Temperature -40°C
- Maximum Starting Temperature 50°C
- Lumens per Watt > 70
- Power Factor > 0.98
- Shock / Vibration Resistant Yes
- FCC Compliance Part 18, Subp. C
- EPA Rating 0.77
- Housing IP Rating IP65
- Optics IP Rating IP66
- Warranty 5 Year

MOUNTING OPTIONS



Accepts
1-1/4" - 2-3/8" O.D.
Tenon or Pipe



(2) 5-16" Stainless Steel Bolts

PHOTOMETRICS (See Complete IES File)



TYPE II