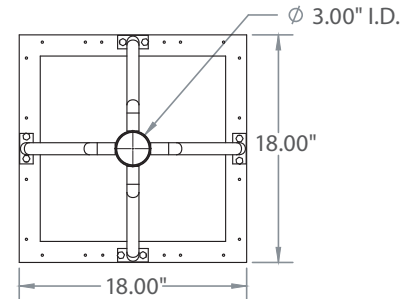
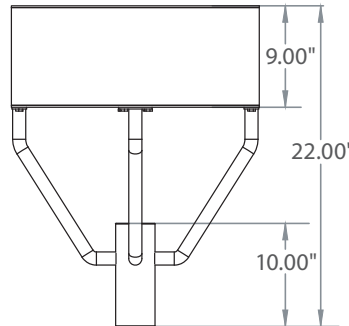


### 24VDC OPERATION



## Incredible OFF GRID Operation

### GENERAL DESCRIPTION

Neptun's 18" Induction Square Post-Top fixture combines classic form and versatility to make it an excellent choice for new construction or retrofit applications. The 64 series square post-top fixture is offered in a variety of wattages to provide maximum flexibility in all types of applications. The 24 Volt DC driver allows for compatible use with Solar or Wind powered systems. It can replace existing HID fixtures up to 400W.

### APPLICATION

- Parking Lot Lighting
- Car Lot Lighting
- Area & Storage Lighting
- Street Lighting
- Walkway Lighting

### STRUCTURE, MATERIALS, & FEATURES

- Heavy-gauge, die-cast aluminum housing.
- Custom designed anodized aluminum reflectors for superior illuminance.
- Heat and impact resistant tempered flat glass lens. (IESNA full-cutoff)
- 3" I.D. Slip Fitter Accepts up to 2-7/8" Pipe or Tenon. (hardware included)
- Corrosion resistant electrocoat dark bronze finish. (custom colors available)
- Aluminum door frame incorporates stainless steel hardware.
- Continuous silicone gasketing surrounds lens for weather - tight seal.
- Inductively coupled circular induction bulb.
- High power factor, 24 Volt DC ballast.
- Instant-On flicker-free Cold Start and Hot Re-Start.
- High quality glare-free light with high CRI above (83).
- Bright white light (5000°K) for greater visibility and safety.
- Advance phosphors for high lumen output and high lumen maintenance.
- Up to 20 year maintenance free operation.
- 10 Year Warranty.

### ORDERING INFORMATION

Sample Number: 64080-24VDC-850-LD-BRZ  
 Custom options and accessories available. Please consult factory

Series	Lamp Wattage	Voltage	Color Temp	Accessories	Color
64 = Square Pot-Top	080 = 80 W 100 = 100 W 120 = 120 W 150 = 150 W	24VDC = 24 VDC	830 = 3000°K 841 = 4100°K 850 = 5000°K * * Standard	LD = Light Sensor /Photocell MD = Motion Sensor Detector	BRZ = Dark Bronze * Custom Colors Available



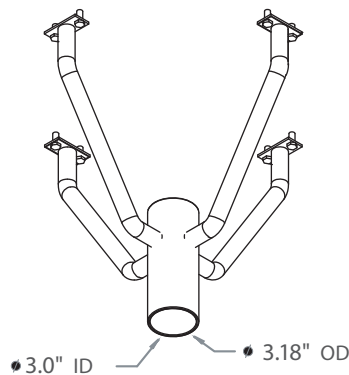
### PRODUCT INFORMATION

Model No.	Description	Rated Watts	Input Watts	Initial Lumens	Input Line Voltage (VDC)	Max Line Current (Amp)	Power Factor	Weight
64080-24VDC	Square Post Top Fixture	80	82	6,400	24	3.49	0.98	35 lbs
64100-24VDC	Square Post Top Fixture	100	105	8,000	24	4.37	0.98	35 lbs
64120-24VDC	Square Post Top Fixture	120	125	9,600	24	5.25	0.98	35 lbs
64150-24VDC	Square Post Top Fixture	150	158	12,000	24	6.56	0.98	35 lbs

### SPECIFICATIONS

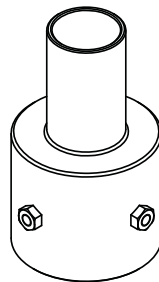
- Ballast Type ..... Electronic
- Start Method ..... InstantON
- Hot Re-start ..... InstantON
- Input Line Voltage ..... 24 VDC
- Input Line Frequency ..... 50/60 Hz
- Lamp Operating Frequency ..... 250 kHz
- Ballast Off-State Draw ..... 0 Watts
- Sound Rating ..... Class A
- Lamp / Ballast System Life ..... 100,000 Hrs.
- Lumen Maintenance @75,000Hrs ..... > 70%
- Color Temperature ..... 5000°K
- Color Rendering Index (CRI) ..... > 83
- Minimum Starting Temperature ..... -20°F
- Maximum Starting Temperature ..... 160°F
- Initial Lumens per Watt ..... 80
- Shock / Vibration Resistant ..... Yes
- Power Factor ..... > 0.98
- ETL Listed / UL Standard 1598 ..... Yes
- FCC Compliance ..... Part 18, Subp. C
- EPA Rating ..... 1.21
- IP Rating ..... IP65
- Warranty ..... 10 Year

### MOUNTING OPTIONS



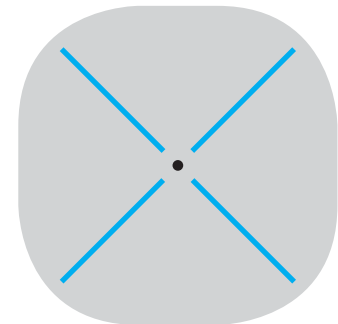
Accepts up to 2-7/8" Round Tenon or Pole

IOP-RPTR (contact factory)



Round Pole Tenon Reducers available for 3", 4", & 5" O.D. Poles

### PHOTOMETRICS (See Complete IES File)



Type V Distribution