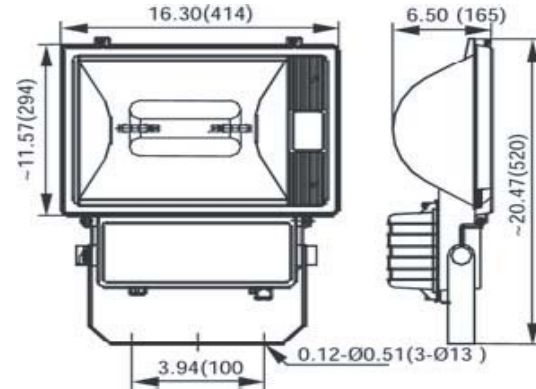


24VDC OPERATION



Incredible OFF GRID Operation

GENERAL DESCRIPTION

Neptun's Induction Flood fixtures features classic form and durability to make it an excellent choice for new construction or retrofit applications. The 33 series flood uses a yoke bracket mounting arm and a variety of wattages to provide flexibility in all types of applications. The 24 Volt DC driver allows for compatible use with Solar or Wind powered systems. It can replace existing HID fixtures up to 250W.

APPLICATION

- Solar Building Accent Lighting
- Solar Landscape Lighting
- Solar Sign Lighting
- Solar Flag Pole Lighting
- Solar Security Lighting
- Solar Area Lighting

STRUCTURE, MATERIALS, & FEATURES

- Heavy-gauge, die-cast aluminum housing.
- Custom designed anodized aluminum reflectors for superior illuminance.
- Heat and impact resistant tempered flat glass lens.
- Yoke bracket mounting to allow for adjustable angles.
- Corrosion resistant electrocoat black finish (custom colors available).
- Hinged aluminum door frame incorporates stainless steel hardware.
- Continuous silicone gasketing surrounds lens for weather - tight seal.
- Inductively coupled rectangular induction bulb.
- High power factor, 24 Volt DC ballast.
- Instant-On flicker-free Cold Start and Hot Re-Start
- High quality glare-free light with high CRI above (83).
- Bright white light (5000°K) for greater visibility and safety.
- Advance phosphors for high lumen output and high lumen maintenance.
- Up to 20 year maintenance free operation.
- 10 Year Warranty.

ORDERING INFORMATION

Sample Number: 33040-24VDC-850-LD-BRZ
Custom options and accessories available. Please consult factory

Series	Lamp Wattage	Voltage	Color Temp	Accessories	Color
33 = Flood Light	040 = 40 W 085 = 85 W 100 = 100 W	24VDC = 24VDC	830 = 3000°K 841 = 4100°K 850 = 5000°K * * Standard	LD = Light Detector / Photocell MD = Motion Sensor Detector	BRZ = Dark Bronze * Custom Colors Available



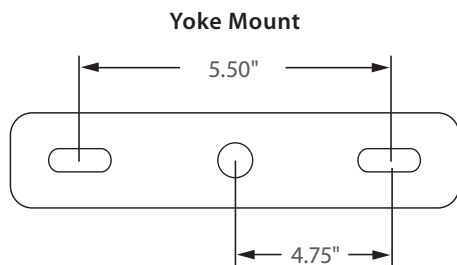
PRODUCT INFORMATION

Model No.	Description	Rated Watts	Input Watts	Initial Lumens	Input Line Voltage (VDC)	Max Line Current (Amp)	Power Factor	Weight
33040-24VDC	Flood Light Fixture	40	41	3,200	24	1.74	0.98	10 lbs
33085-24VDC	Flood Light Fixture	85	87	6,800	24	3.71	0.98	12 lbs
33100-24VDC	Flood Light Fixture	100	105	8,000	24	4.37	0.98	12 lbs

SPECIFICATIONS

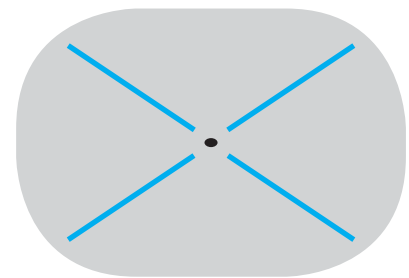
- Ballast Type Electronic
- Start Method InstantON
- Hot Re-start InstantON
- Input Line Voltage 24 VDC
- Input Line Frequency 50/60 Hz
- Lamp Operating Frequency 250 kHz
- Ballast Off-State Draw 0 Watts
- Sound Rating Class A
- Lamp / Ballast System Life 100,000 Hrs.
- Lumen Maintenance @75,000Hrs > 70%
- Color Temperature 5000°K
- Color Rendering Index (CRI) > 83
- Minimum Starting Temperature -20°F
- Maximum Starting Temperature 160°F
- Initial Lumens per Watt 80
- Shock / Vibration Resistant Yes
- Power Factor > 0.98
- ETL Listed / UL Standard 1598 Yes
- FCC Compliance Part 18, Subp. C
- IP Rating IP65
- Warranty 10 Year

MOUNTING OPTIONS



Mounting Arm Included
Adjustable Tilt

PHOTOMETRICS (See Complete IES File)



Type V Distribution