

Incredible **70,000** hrs

GENERAL DESCRIPTION

Neptun's Low Profile LED Flood Type Wall Pack fixtures feature classic form and durability to make it an excellent choice for new construction or retrofit applications. Neptun's LED Wall Pack fixtures feature a bright white 5000°K color temperature for increased safety and security. It can replace existing HID & HPS fixtures up to 150 Watts.

APPLICATION

- Building Accent Lighting
- Landscape Lighting
- Security Lighting
- Area Lighting
- Storage Area Lighting

STRUCTURE, MATERIALS, & FEATURES

- Heavy-gauge, die-cast aluminum housing.
- Silicone potted heat sink for increased life.
- Heat and impact resistant, UV protected, non yellowing polycarbonate refractor / lens.
- Corrosion resistant electrocoat black finish (custom colors available).
- Hinged aluminum door frame incorporates stainless steel hardware.
- Continuous silicone gasket surrounds lens for weather - tight seal.
- Correlated Color Temperature of 5000°K for greater visibility and safety.
- 40 PCS High Output LED's.
- High power factor, low THD driver.
- InstantON flicker-free Cold Start and Hot Re-Start.
- Up to 15 years Maintenance free operation.
- 5 Year Warranty on complete fixture. (LED's, Driver, & Housing)

ORDERING INFORMATION

Sample Number: LED-43040FLD-UNV-750-LD-120-BLK
Custom options and accessories available. Please consult factory

Source	Series	Wattage	Type	Voltage	Color Temp.	Accessories	Color
LED	43 = Low Profile Wall Pack	040 = 40W 060 = 60W	FLD = Flood Type	UNV = 120-277 VAC	735 = 3500°K 741 = 4100°K 750 = 5000°K* *Standard	LD-120 = Photocell for 120V LD-277 = Photocell for 277V MD = Motion Sensor Detector	BLK = Black * Custom Colors available



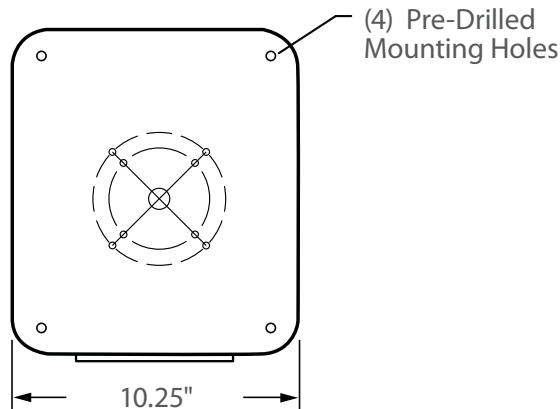
PRODUCT INFORMATION

Model No.	Description	Rated Watts	Input Watts	Initial Lumens	Universal Line Voltage (VAC)	Max Line Current (Amp) @ 120 - 277	THD	Power Factor	Weight
LED-43040FLD-UNV	LED Wall Pack Fixture	40	41	3,000	120-277	0.35 - 0.15	<15%	>0.98	15 lbs
LED-43060FLD-UNV	LED Wall Pack Fixture	60	62	4,500	120-277	0.52 - 0.22	<15%	>0.98	15 lbs

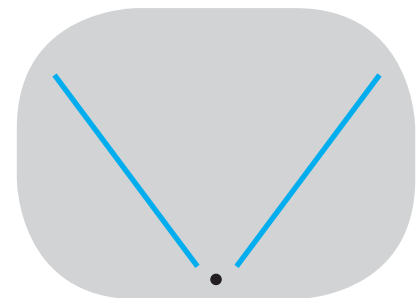
SPECIFICATIONS

- LED Driver Constant Current
- Power Supply 350mA
- Start Method InstantON
- Hot Re-start InstantON
- Universal Input Line Voltage 120-277 VAC
- Input Line Frequency 50/60 Hz
- Ballast Off-State Draw 0 Watts
- Sound Rating Class A
- ANSI Surge Protection Class A
- LED / Driver System Life 70,000 Hrs.
- Lumen Maintenance @50,000Hrs > 70%
- Color Temperature 5,000°K
- Color Rendering Index (CRI) > 70
- Minimum Starting Temperature -40°C
- Maximum Starting Temperature 50°C
- Lumens per Watt > 75
- Shock / Vibration Resistant Yes
- Power Factor > 0.98
- Total Harmonic Distortion < 15%
- Inrush Current Peak < 10 Amp
- ETL Listed / UL Standard 1598 Yes
- FCC Compliance Part 18, Subp. C
- IP Rating IP65
- Warranty 5 Year

MOUNTING OPTIONS



PHOTOMETRICS (See Complete IES File)



Type IV Distribution