

Incredible **70,000 hrs**

### GENERAL DESCRIPTION

Neptun's 14" LED Semi Cut-Off Type Wall Pack fixtures feature classic form and durability to make it an excellent choice for new construction or retrofit applications. Neptun's LED Wall Pack fixtures feature a bright white 5000°K color temperature for increased safety and security. It can replace existing HID & HPS fixtures up to 150 Watts.

### APPLICATION

- Building Accent Lighting
- Landscape Lighting
- Security Lighting
- Parking Lot Lighting
- Area Lighting
- Storage Area Lighting

### STRUCTURE, MATERIALS, & FEATURES

- Heavy-gauge, die-cast aluminum housing.
- Custom designed anodized aluminum reflectors for superior illuminance.
- Silicone potted heat sink for increased life.
- Heat and impact resistant flat glass lens.
- Corrosion resistant electrocoat dark bronze finish (custom colors available).
- Hinged aluminum door frame incorporates stainless steel hardware.
- Continuous silicone gasket surrounds lens for weather - tight seal.
- Correlated Color Temperature of (5000°K) for greater visibility and safety.
- 40 PCS High Output LED's.
- High power factor, low THD driver.
- InstantON flicker-free Cold Start and Hot Re-Start.
- Up to 15 years Maintenance free operation.
- 5 Year Warranty on complete fixture. (LED's, Driver, & Housing)

### ORDERING INFORMATION

Sample Number: LED-21040SCT-UNV-750-LD-120-BRZ  
 Custom options and accessories available. Please consult factory

Source	Series	Wattage	Type	Voltage	Color Temp.	Accessories	Color
LED	21 = Wall Pack	040 = 40 W 055 = 55 W 070 = 70 W	SCT = Semi Cut-Off	UNV = 120-277 VAC	735 = 3500°K 741 = 4100°K 750 = 5000°K* * Standard	LD-120 = Photocell for 120V LD-277 = Photocell for 277V MD = Motion Sensor Detector	BRZ = Dark Bronze * Custom Colors available



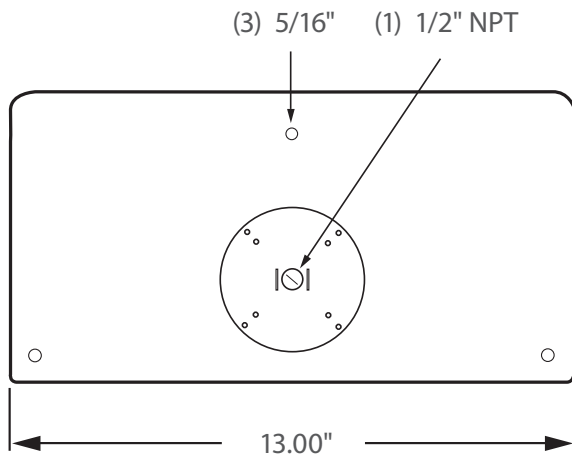
### PRODUCT INFORMATION

Model No.	Description	Rated Watts	Input Watts	Initial Lumens	Universal Line Voltage (VAC)	Max Line Current (Amp) @ 120 - 277	THD	Power Factor	Weight
LED-21040SCT-UNV	Wall Pack - Semi Cut-Off	40	41	3,000	120-277	0.35 - 0.15	<15%	>0.98	15 lbs
LED-21055SCT-UNV	Wall Pack - Semi Cut-Off	55	57	4,125	120-277	0.48 - 0.20	<15%	>0.98	15 lbs
LED-21070SCT-UNV	Wall Pack - Semi Cut-Off	70	72	5,250	120-277	0.61 - 0.26	<15%	>0.98	15 lbs

### SPECIFICATIONS

- LED Driver ..... Constant Current
- Power Supply ..... 350mA
- Start Method ..... InstantON
- Hot Re-start ..... InstantON
- Universal Input Line Voltage ..... 120-277 VAC
- Input Line Frequency ..... 50/60 Hz
- Ballast Off-State Draw ..... 0 Watts
- Sound Rating ..... Class A
- ANSI Surge Protection ..... Class A
- LED / Driver System Life ..... 70,000 Hrs.
- Lumen Maintenance @50,000Hrs ..... > 70%
- Color Temperature ..... 5,000°K
- Color Rendering Index (CRI) ..... > 70
- Minimum Starting Temperature ..... -40°C
- Maximum Starting Temperature ..... 50°C
- Lumens per Watt ..... > 75
- Shock / Vibration Resistant ..... Yes
- Power Factor ..... > 0.98
- Total Harmonic Distortion ..... < 15%
- Inrush Current Peak ..... < 10 Amp
- ETL Listed / UL Standard 1598 ..... Yes
- FCC Compliance ..... Part 18, Subp. C
- IP Rating ..... IP65
- Warranty ..... 5 Year

### MOUNTING OPTIONS



### PHOTOMETRICS (See Complete IES File)

