

Dimensions in inches

Product Type	A(max.)	B(max.)	C(max.)
10W (2')	23.8"	23.4"	23.22"

## Incredible 70,000 hrs

### GENERAL DESCRIPTION

Neptun's high performance LED T8 tubes are designed for the replacement of existing T8 fluorescent lighting systems. The 88 series tubes are offered in a variety of color temperatures for flexibility in all types of applications. The frosted lens allows for an evenly illuminated glow resembling existing fluorescent tubes. Very low temperature operation saves on HVAC costs and long life greatly reduces maintenance costs. The self-ballasted design allows for easy installation into most commonly used T-8 system fixtures.

### APPLICATION


- Office Lighting
- School Lighting
- Healthcare Lighting
- Storage Lighting

### STRUCTURE, MATERIALS, & FEATURES

- Aluminum backing for excellent thermal management.
- Frosted non yellowing polycarbonate lens for even glow. (Glare Free)
- Correlated Color Temperatures of 3500°K, 4100°K, & 5000°K.
- Mercury free design.
- No radiated EMI interference.
- 180 PCS High Output LED's.
- High power factor, low THD internal driver.
- InstantON flicker-free Cold Start and Hot Re-Start.
- Up to 15 years Maintenance free operation.
- 5 Year Warranty.

### ORDERING INFORMATION

Sample Number: LED-88010-UNV-841-1P-R17D  
 Custom options and accessories available. Please consult factory

Source	Series	Wattage	Voltage	Color Temp.	Wiring Config.	Options
LED = LED	88 = T8 Tubes	010 = 10 W	UNV = 120-277 VAC	835 = 3500°K 841 = 4100°K 850 = 5000°K	1P = Single Ended 2P = Dual Ended * See Pg. 2	R17D = Recessed Double Contact Caps 



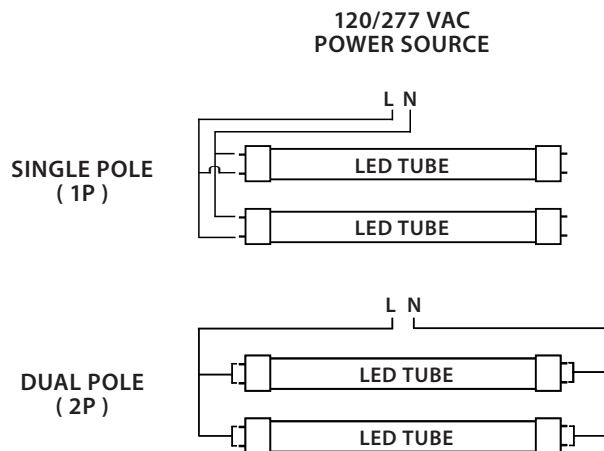
### PRODUCT INFORMATION

Model No.	Watts	Input Line Current (Amp) @ 120 - 277	Power Factor	THD	Color Temp. CCT (°K)	CRI	Lumens	Lm/W	Nominal Length (Inch)	Base	Beam Angle
LED-88010-UNV-835	10	0.087-0.037	>0.90	<20%	3,500°	>80	950	95	24"	Bi-Pin	120°
LED-88010-UNV-841	10	0.087-0.037	>0.90	<20%	4,100°	>80	960	96	24"	Bi-Pin	120°
LED-88010-UNV-850	10	0.087-0.037	>0.90	<20%	5,000°	>80	970	97	24"	Bi-Pin	120°

### SPECIFICATIONS

- LED Driver ..... Self-Ballasted
- Power Supply ..... 350mA
- Start Method ..... InstantON
- Hot Re-start ..... InstantON
- Universal Input Line Voltage ..... 120-277 VAC
- Input Line Frequency ..... 50/60 Hz
- Ballast Off-State Draw ..... 0 Watts
- Sound Rating ..... Class A
- ANSI Surge Protection ..... Class A
- LED / Driver System Life ..... 70,000 Hrs.
- Lumen Maintenance @50,000Hrs ..... > 70%
- Color Temperature ..... Various
- Color Rendering Index (CRI) ..... > 80
- Minimum Starting Temperature ..... -35°C
- Maximum Starting Temperature ..... 45°C
- Lumens per Watt ..... > 95
- Shock / Vibration Resistant ..... Yes
- Power Factor ..... > 0.90
- Total Harmonic Distortion ..... < 20%
- ETL Listed / UL Standard 1993 ..... Yes
- FCC Compliance ..... Part 18, Subp. C
- Warranty ..... 5 Year

### WIRING DIAGRAM (See Complete Installation Instructions)



### PHOTOMETRICS

