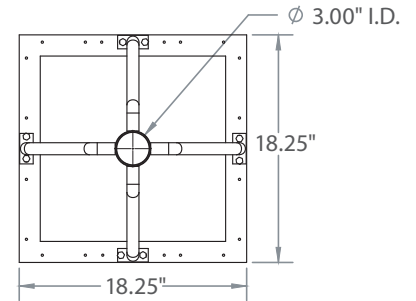
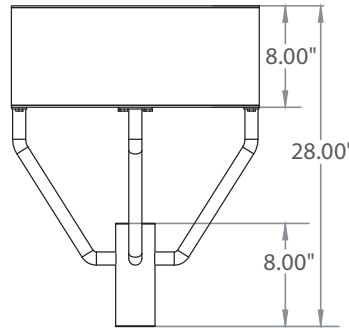




Please check latest update for complete information.
http://www.designlights.org/solidstate.about.QualifiedProductsList_Publiciv2.php



Incredible **75,000 hrs**

GENERAL DESCRIPTION

Neptun's 18" LED Square Post-Top fixture combines classic form and versatility to make it an excellent choice for new construction or retro-fit applications. The LED-64 series square post-top fixture is offered in a variety of wattages to provide maximum flexibility in all types of applications. It can replace existing HID & HPS fixtures up to 400W.

APPLICATION

- Parking Lot Lighting
- Car Lot Lighting
- Area & Storage Lighting
- Street Lighting
- Walkway Lighting

STRUCTURE, MATERIALS, & FEATURES

- Stainless steel construction housing.
- Heat and impact resistant sealed glass lens.
- 3" I.D. Slip Fitter Accepts up to 2-7/8" Pipe or Tenon. (hardware included)
- Post top mounting system incorporates stainless steel hardware.
- Corrosion resistant electrocoat dark bronze finish. (custom colors available)
- Continuous silicone gasketing surrounds lens for weather - tight seal.
- Correlated Color Temperature of (5000°K) for greater visibility and safety.
- High Output COB LED's.
- High power factor, low THD driver.
- InstantON flicker-free Cold Start and Hot Re-Start.
- Up to 15 years Maintenance free operation.
- 10 Year Warranty on complete fixture. (LED's, Driver, & Housing)
- **Optional:** 0-10V Dimming, Remote Monitoring and ON/ OFF Control, DC 24V Operation - Solar Compatible

ORDERING INFORMATION

Sample Number: LED-64080-UNV-0-10VDIM-850-LD-BRZ
 Custom options and accessories available. Please consult factory

Series	Wattage	Voltage	Options	Color Temp	Accessories	Color
LED-64 = Square Pot-Top	080 = 80 W 100 = 100 W 120 = 120 W 150 = 150 W	UNV = 120-277 VAC 347V = 347 VAC 480V = 480 VAC 24VDC = 24VDC	0-10VDIM = 0-10V Dimming BL-DIM = Bi-Level Dimming	835 = 3500°K 841 = 4100°K 850 = 5000°K* * Standard	LD = Light Sensor /Photocell MD = Motion Sensor Detector	BRZ = Dark Bronze * Custom Colors Available



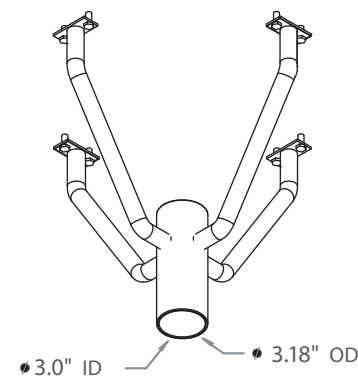
PRODUCT INFORMATION

Model No.	Description	Rated Watts	Input Watts	Initial Lumens	Universal Line Voltage (VAC)	Max Line Current (Amp) @ 120 - 277	THD	Power Factor	Weight
LED-64080-UNV	LED Parking Lot Fixture	80	82	8,200	120-277	0.69 - 0.30	<20%	>0.90	48 lbs
LED-64100-UNV	LED Parking Lot Fixture	100	102	9,384	120-277	0.87 - 0.37	<20%	>0.90	48 lbs
LED-64120-UNV	LED Parking Lot Fixture	120	122	11,712	120-277	1.05 - 0.45	<20%	>0.90	48 lbs
LED-64150-UNV	LED Parking Lot Fixture	150	153	13,770	120-277	1.31 - 0.56	<20%	>0.90	48 lbs

SPECIFICATIONS

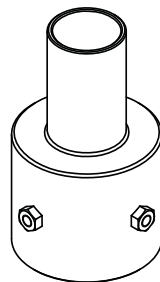
- LED Driver Constant Current
- Power Supply 350mA
- Start Method InstantON
- Hot Re-start InstantON
- Universal Input Line Voltage 120-277 VAC
- Input Line Frequency 50/60 Hz
- Ballast Off-State Draw 0 Watts
- Sound Rating Class A
- ANSI Surge Protection Class A
- LED / Driver System Life 75,000 Hrs.
- Lumen Maintenance @50,000Hrs > 70%
- Color Temperature 5,000°K
- Color Rendering Index (CRI) > 80
- Minimum Starting Temperature -40°C
- Maximum Starting Temperature 50°C
- Lumens per Watt > 90
- Shock / Vibration Resistant Yes
- Power Factor > 0.90
- Total Harmonic Distortion < 20%
- Inrush Current Peak < 10 Amp
- ETL Listed / UL Standard 1598 Yes
- FCC Compliance Part 18, Subp. C
- EPA Rating 1.21
- IP Rating IP65
- Warranty 10 Year

MOUNTING OPTIONS



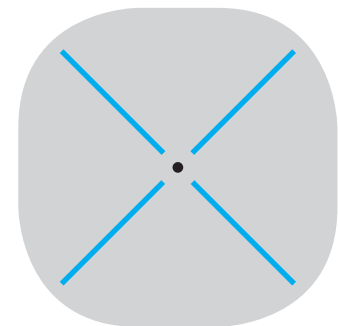
Accepts up to 2-7/8" Round Tenon or Pole

IOP-RPTR (contact factory)



Round Pole Tenon Reducers available for 3", 4", & 5" O.D. Poles

PHOTOMETRICS (See Complete IES File)



Type V Distribution