

Incredible **75,000** hrs

### GENERAL DESCRIPTION

Neptun's 24" LED Square Post-Top fixture combines classic form and versatility to make it an excellent choice for new construction or retrofit applications. The LED-59 series post-top fixture is offered in a variety of wattages to provide maximum flexibility in all types of applications. It can replace existing HID & HPS fixtures up to 1000W.

### APPLICATION

- Parking Lot Lighting
- Car Lot Lighting
- Area & Storage Lighting
- Street Lighting
- Walkway Lighting

### STRUCTURE, MATERIALS, & FEATURES

- Heavy-gauge, stainless steel housing.
- 3.38" I.D. Slip Fitter Accepts up to 3.00" Pipe or Tenon.
- Corrosion resistant electrocoat grey finish. (custom colors available)
- Continuous silicone gasketing surrounds lens for weather - tight seal.
- Correlated Color Temperature of (5000°K) for greater visibility and safety.
- High Output COB LED's.
- High power factor, low THD driver.
- InstantON flicker-free Cold Start and Hot Re-Start.
- Up to 15 years Maintenance free operation.
- 10 Year Warranty on complete fixture. (LED's, Driver, & Housing)
- **Optional:** 0-10V Dimming, Remote Monitoring and ON/ OFF Control,

### ORDERING INFORMATION

Sample Number: LED-59180-UNV-0-10VDIM-850-LD-BRZ  
Custom options and accessories available. Please consult factory

Series	Wattage	Voltage	Options	Color Temp	Accessories	Color
LED-59 = Square Post-Top	180 = 180 W 200 = 200 W 260 = 260 W 320 = 320 W	UNV = 120-277 VAC 347V = 347 VAC 480V = 480 VAC 24VDC = 24VDC	0-10VDIM = 0-10V Dimming BL-DIM = Bi-Level Dimming	835 = 3500°K 841 = 4100°K 850 = 5000°K * * Standard	LD = Light Sensor /Photocell MD = Motion Sensor Detector	BRZ = Bronze * Custom Colors Available



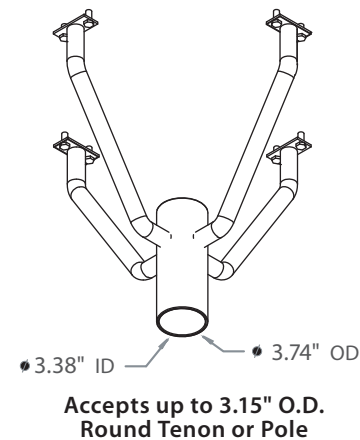
### PRODUCT INFORMATION

Model No.	Description	Rated Watts	Input Watts	Initial Lumens	Universal Line Voltage (VAC)	Max Line Current (Amp) @ 120 - 277	THD	Power Factor	Weight
LED-59180-UNV	Square Post Top Fixture	180	185	16,200	120-277	1.57 - 0.68	<20%	>0.90	65 lbs
LED-59200-UNV	Square Post Top Fixture	200	205	18,000	120-277	1.74 - 0.75	<20%	>0.90	65 lbs
LED-59260-UNV	Square Post Top Fixture	260	265	23,400	120-277	2.29 - 0.98	<20%	>0.90	65 lbs
LED-59320-UNV	Square Post Top Fixture	320	325	28,800	120-277	2.79 - 1.21	<20%	>0.90	65 lbs

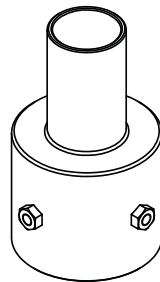
### SPECIFICATIONS

- LED Driver ..... Constant Current
- Power Supply ..... 350mA
- Start Method ..... InstantON
- Hot Re-start ..... InstantON
- Universal Input Line Voltage ..... 120-277 VAC
- Input Line Frequency ..... 50/60 Hz
- Ballast Off-State Draw ..... 0 Watts
- Sound Rating ..... Class A
- ANSI Surge Protection ..... Class A
- LED / Driver System Life ..... 75,000 Hrs.
- Lumen Maintenance @50,000Hrs ..... > 70%
- Color Temperature ..... 5,000°K
- Color Rendering Index (CRI) ..... > 80
- Minimum Starting Temperature ..... -40°C
- Maximum Starting Temperature ..... 50°C
- Lumens per Watt ..... > 90
- Shock / Vibration Resistant ..... Yes
- Power Factor ..... > 0.90
- Total Harmonic Distortion ..... < 20%
- Inrush Current Peak ..... < 10 Amp
- FCC Compliance ..... Part 18, Subp. C
- EPA Rating ..... 0.78
- Optics IP Rating ..... IP68
- Driver IP Rating ..... IP67
- Warranty ..... 10 Year

### MOUNTING OPTIONS

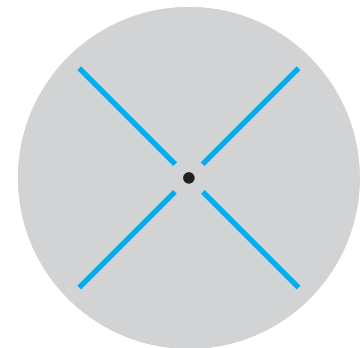


IOP-RPTR (contact factory)



**Round Pole Tenon Reducers available for 3", 4", & 5" O.D. Poles**

### PHOTOMETRICS (See Complete IES File)



**Type V Distribution**