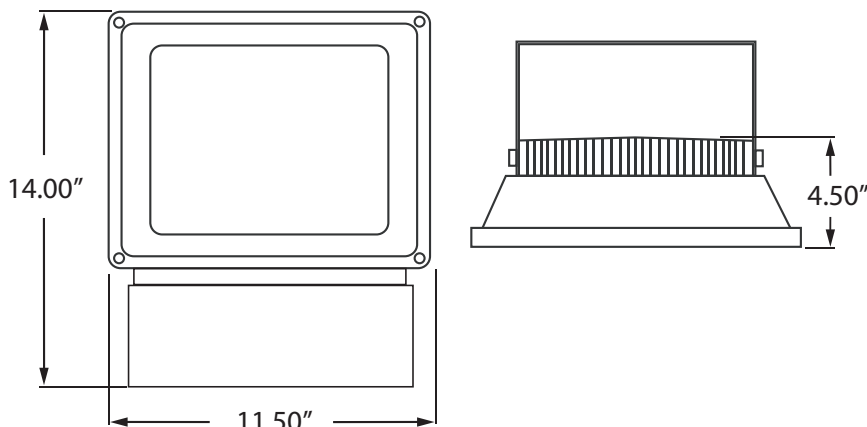


LED - Small Flood Fixture

70,000 Hrs Life

The Next Generation of Lighting



LED

Specification:

- Ballast Type	Electronic
- Start Method	InstantON
- Hot Re-start	InstantON
- Universal Input Line Voltage	120-277 VAC
- Input Line Frequency	50/60 Hz
- System Life	70,000 Hrs.
- Lumen Maintenance @50,000Hrs	>70%
- Color Temperature	5000°K
- Color Rendering Index (CRI)	70
- Minimum Starting Temperature	-40°F
- Maximum Operating Temperature	125°F
- Lamp Operating Frequency	250 kHz
- Power Factor	> 0.98
- Total Harmonic Distortion	< 10%
- Inrush Current Peak	< 10 Amp

Features & Benefits

- Zero Light Pollution (ZLP) design
- Up to 15 years Maintenance Free Operation
- InstantON flicker-free Cold Start and Hot Re-Start
- Aluminum housing with electrocoat gray / green paint
- 70,000 Hrs. LED driver made of long life components
- High Power Factor, Low THD Driver
- Concealed continuous gasket seals against harmful dust, dirt, moisture and insects
- IP-65 Rated for wet locations
- Heat and impact resistant glass diffuser/lens
- Advanced phosphors for high Lumen Maintenance and high lumen output
- Adjustable Yoke Bracket for various mounting options.

Product Information

Item No.	Description	Watts	Initial Lumens	Line Voltage Supply	Line Current	Total Harmonic Distortion (THD)	Power Factor	Packaging Dimensions		
								Width	Length	Height
LED-50030	LED Flood Fixture	30	2,400	120-277 VAC	0.26-0.11 Amp	<10%	0.98	14 in. 355 mm	18 in. 457 mm	8 in. 203 mm
LED-50050	LED Flood Fixture	50	4,000	120-277 VAC	0.43-0.18 Amp	<10%	0.98	14 in. 355 mm	18 in. 457 mm	8 in. 203 mm

Ordering Information

(SAMPLE NUMBER: LED-50030-UNV)

Type LED	Series 50 = Flood Fixture	Wattage 030 = 30W 050 = 50W	Voltage UNV = Universal	Color GRY = Gray
-------------	------------------------------	-----------------------------------	----------------------------	---------------------

NEPTUN
LIGHT®

