

Incredible **70,000 hrs**

GENERAL DESCRIPTION

Neptun's LED pendant canopy fixture features an architectural design and durability to be used in new construction or retrofit applications. The 132 series pendant fixture features excellent optics for increased visibility and security with convex lens to evenly illuminate parking garages. Can replace existing HID & HPS canopy or parking garage fixtures up to 175 Watts.

APPLICATION

- Parking Garage Lighting
- Canopy Lighting
- Indoor Lighting
- Storage Lighting
- Retail Lighting

STRUCTURE, MATERIALS, & FEATURES

- Cast aluminum cooling fin heat sink for excellent thermal management.
- Heavy-gauge, die-cast aluminum gear box.
- High efficiency, heat and impact resistant, UV protected, non yellowing polycarbonate convex lens / refractor.
- Corrosion resistant electrocoat finish (custom colors available).
- Stainless steel hardware for easy removal lens.
- Continuous silicone gasket surrounds lens for weather - tight seal.
- High Output LED's made by Samsung.
- High power factor, low THD driver.
- Instant-On flicker-free Cold Start and Hot Re-Start.
- Bright white light (5000°K) for greater visibility and safety.
- LED engine design with Advanced Thermal Management.
- Up to 15 year maintenance free operation.
- 5 Year Warranty on complete fixture. (LED's, Driver, & Housing)
- **Optional:** 0-10V Dimming, Remote Monitoring and ON/ OFF Control, DC 24V Operation - Solar Compatible

ORDERING INFORMATION

Sample Number: LED-132040-UNV-0-10VDIM-850-ST18-WHT
Custom options and accessories available. Please consult factory

Series	Wattage	Voltage	Options	Color Temp	Stem Length	Color
LED-132 = Pendant	040 = 40 W 050 = 50 W 060 = 60 W 070 = 70 W 080 = 80 W	UNV = 120-277 VAC 24VDC = 24 VDC	0-10VDIM = 0-10V Dimming	830 = 3000°K 841 = 4100°K 850 = 5000°K * * Standard	ST6 = 6" ST12 = 12" ST18 = 18" * Custom Lengths available	WHT = WHT * Custom Colors Available



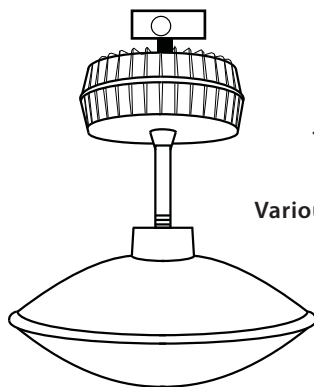
PRODUCT INFORMATION

Model No.	Description	Rated Watts	Input Watts	Initial Lumens	Universal Line Voltage (VAC)	Max Line Current (Amp) @ 120 - 277V	THD	Power Factor	Weight
LED-132040-UNV	LED Pendant Canopy	40	41	3,600	120-277	0.34 - 0.15	<20%	>0.98	20 lbs
LED-132050-UNV	LED Pendant Canopy	50	51	4,400	120-277	0.43 - 0.18	<20%	>0.98	20 lbs
LED-132060-UNV	LED Pendant Canopy	60	61	5,100	120-277	0.52 - 0.22	<20%	>0.98	20 lbs
LED-132070-UNV	LED Pendant Canopy	70	71	5,740	120-277	0.61 - 0.26	<20%	>0.98	20 lbs
LED-132080-UNV	LED Pendant Canopy	80	81	6,400	120-277	0.69 - 0.30	<20%	>0.98	20 lbs

SPECIFICATIONS

- LED Driver Constant Current
- Start Method InstantON
- Hot Re-start InstantON
- Universal Input Line Voltage 120-277 VAC
- Input Line Frequency 50/60 Hz
- Ballast Off-State Draw 0 Watts
- Sound Rating Class A
- ANSI Surge Protection Class A
- LED / Driver System Life 75,000 Hrs.
- Lumen Maintenance @50,000Hrs > 70%
- Color Temperature 5000°K
- Color Rendering Index (CRI) > 80
- Minimum Starting Temperature -35°C
- Maximum Starting Temperature 40°C
- Lumens per Watt > 80
- Shock / Vibration Resistant Yes
- Power Factor > 0.98
- Total Harmonic Distortion < 20%
- Inrush Current Peak < 10 Amp
- ETL Listed / UL Standard 1598 Yes
- FCC Compliance Part 18, Subp. C
- IP Rating IP65
- Warranty 5 Year

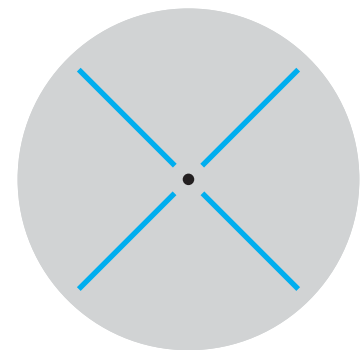
MOUNTING OPTIONS



Pendant Mount to Standard 1900 Junction Box

Various Stem Sizes Available

PHOTOMETRICS (See Complete IES File)



Type V Distribution