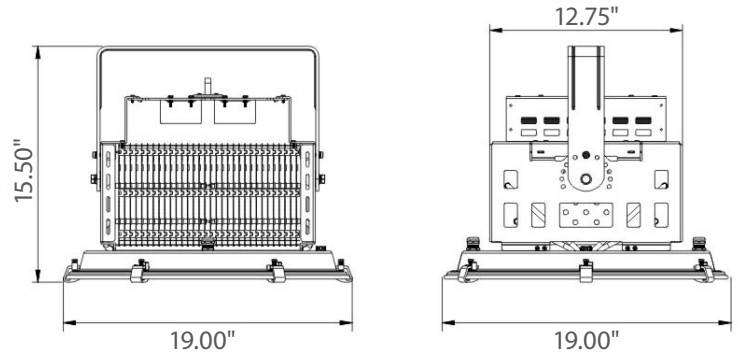


REPLACEMENT FOR 1500W HID



Incredible **75,000 hrs**

GENERAL DESCRIPTION

Neptun's LED High-Output Flood Light fixture features an architectural design and durability to be used in new construction or retrofit applications. The LED-SL60 series fixture features excellent optics and its rugged design allows for use in a variety of indoor and outdoor applications. It can replace existing HID & HPS fixtures up to 1500 Watts.

APPLICATION

- Flood Lighting
- Sports Field Lighting
- High-Mast Lighting
- Sports Arena Lighting
- Gymnasium Lighting
- Area & Storage Lighting

STRUCTURE, MATERIALS, & FEATURES

- Heavy-gauge, die-cast aluminum housing with cooling fins.
- Heat and impact resistant tempered glass lens with anti-glare diffuser.
- Continuous silicone gasket surrounds lens for weather - tight seal.
- Instant-On flicker-free Cold Start and Hot Re-Start.
- Bright white light (5000°K) for greater visibility and safety.
- LED engine design with Advanced Thermal Management.
- High power factor, low THD driver with 10kV Surge Protection.
- High Output LED's.
- Up to 15 year maintenance free operation.
- 5 Year Warranty on complete fixture. (LED's, Driver, & Housing)
- **Optional:** 0-10V Dimming, Wi-Fi Control, Remote Monitoring and ON/ OFF Control

ORDERING INFORMATION

Sample Number: LED-SL60-500-UNV-0-10VDIM-850-B06-LD-120V
Custom options and accessories available. Please consult factory

Series	Wattage	Voltage	Options	Color Temp	Beam Angle	Accessories
LED-SL60 = Flood Light	250 = 250 W 500 = 500 W	UNV = 120-277 VAC 347V = 347 VAC 480V = 480 VAC	0-10VDIM = 0-10V Dimming * Contact Factory for dimming options.	835 = 3500°K 841 = 4100°K 850 = 5000°K* * Standard	B06 = 6° Beam B10 = 10° Beam B20 = 20° Beam B25 = 25° Beam B30 = 30° Beam B60 = 60° Beam	LD-120V = 120V Photocell LD-277V = 277V Photocell



PRODUCT INFORMATION

Model No.	Description	Rated Watts	Input Watts	Initial Lumens	Universal Line Voltage (VAC)	Max Line Current (Amp) @ 120 - 277	THD	Power Factor	Weight
LED-SL60-250-UNV	LED Flood Light	250	252	25,000	120-277	2.18 - 0.94	<20%	>0.90	60 lbs
LED-SL60-500-UNV	LED Flood Light	500	502	50,000	120-277	4.37 - 1.89	<20%	>0.90	60 lbs

SPECIFICATIONS

- Driver Constant Current
- Start Method InstantON
- Hot Re-start InstantON
- Power Supply 350mA
- Driver UL Rating Class 1
- Driver UL Outdoor Rated Wet Location
- Sound Rating Class A
- ANSI Surge Protection IEEE C62.41 C High
- Driver Off-State Draw 0 Watts
- Universal Input Line Voltage 120-277 VAC
- Input Line Frequency 50/60 Hz
- LED / Driver System Life 75,000 Hrs.
- Lumen Maintenance @50,000Hrs > 70%
- Color Temperature 5,000°K
- Color Rendering Index (CRI) > 80
- Beam Angle 6°/10°/20°/25°/30°/60°
- Minimum Starting Temperature -40°C
- Maximum Starting Temperature +50°C
- Lumens per Watt > 90
- Shock / Vibration Resistant Yes
- Power Factor > 0.90
- Total Harmonic Distortion < 20%
- Inrush Current Peak < 10 Amp
- FCC Compliance Part 15, Subp. C
- Housing IP Rating IP65
- Driver IP Rating IP67
- Warranty 5 Year

MOUNTING OPTIONS

ADJUSTABLE
YOKE BRACKET



PHOTOMETRICS (See Complete IES File)

