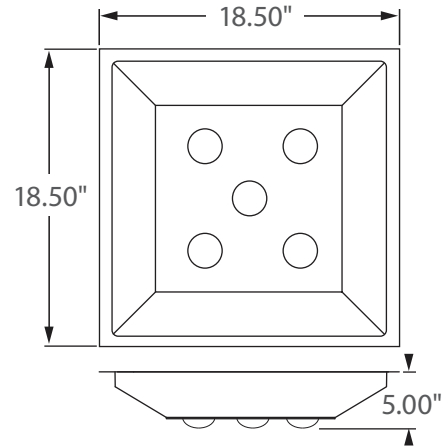




** AVAILABLE **

0 - 10V
FULL DIMMING



Please check latest update for complete information.
http://www.designlights.org/solidstate.about.QualifiedProductsList_Publicv2.php

Incredible **75,000 hrs**

GENERAL DESCRIPTION

Neptun's LED gas station / canopy fixture features an architectural design and durability to be used in new construction or retrofit applications. The LED-22 series fixture features excellent optics for increased visibility and security. Can replace existing HID & HPS canopy or parking garage fixtures up to 320 Watts.

APPLICATION

- Gas Station Lighting
- Canopy Lighting
- Walkway Lighting
- Drive-Thru Canopy Lighting
- Storage Lighting

STRUCTURE, MATERIALS, & FEATURES

- Heavy-gauge, die-cast aluminum housing.
- Internal aluminum cooling fin heat sink for excellent thermal management.
- Corrosion resistant electrocoat white finish (custom colors available).
- Continuous silicone gasket surrounds lens for weather - tight seal.
- High Output COB Cree LED's.
- High power factor, low THD driver with 10kV Surge Protection.
- Instant-On flicker-free Cold Start and Hot Re-Start.
- Bright white light (5000°K) for greater visibility and safety.
- LED engine design with Advanced Thermal Management.
- Up to 15 year maintenance free operation.
- 10 Year Warranty on complete fixture. (LED's, Driver, & Housing)
- **Optional:** 0-10V Dimming, Remote Monitoring and ON/ OFF Control, DC 24V Operation - Solar Compatible

ORDERING INFORMATION

Sample Number: LED-22100-UNV-BL-DIM-850-WHT
Custom options and accessories available. Please consult factory

Series	Wattage	Voltage	Options	Color Temp	Color
LED-22 = Gas Station Canopy	060 = 60 W 080 = 80 W 100 = 100 W 120 = 120 W	UNV = 120-277 VAC 347V = 347 VAC 480V = 480 VAC 24VDC = 24 VDC	0-10VDIM = 0-10V Dimming ** Contact Factory for dimming options	835 = 3500°K 841 = 4100°K 850 = 5000°K * * Standard	WHT = White * Custom Colors Available



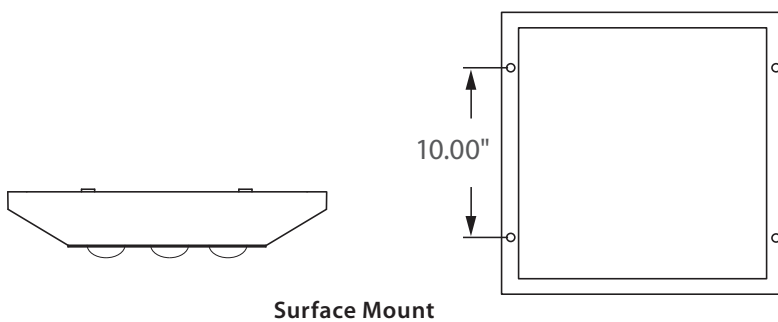
PRODUCT INFORMATION

Model No.	Description	Rated Watts	Input Watts	Initial Lumens	Universal Line Voltage (VAC)	Max Line Current (Amp) @ 120 - 277	THD	Power Factor	Weight
LED-22060-UNV	LED Gas Station Canopy	60	62	6,324	120-277	0.52 - 0.22	<20%	>0.90	15 lbs
LED-22080-UNV	LED Gas Station Canopy	80	83	8,217	120-277	0.69 - 0.30	<20%	>0.90	15 lbs
LED-22100-UNV	LED Gas Station Canopy	100	102	9,690	120-277	0.87 - 0.37	<20%	>0.90	15 lbs
LED-22120-UNV	LED Gas Station Canopy	120	123	11,070	120-277	1.05 - 0.45	<20%	>0.90	15 lbs

SPECIFICATIONS

- LED Driver Constant Current
- Power Supply 350mA
- Driver UL Rating Class 1
- Driver UL Outdoor Rated Wet Location
- Start Method InstantON
- Hot Re-start InstantON
- Universal Input Line Voltage 120-277 VAC
- Input Line Frequency 50/60 Hz
- Ballast Off-State Draw 0 Watts
- Sound Rating Class A
- ANSI Surge Protection IEEE C62.41 C High
- LED / Driver System Life 75,000 Hrs.
- Lumen Maintenance @50,000Hrs > 70%
- Color Temperature 5000°K
- Color Rendering Index (CRI) > 80
- Minimum Starting Temperature -40°C
- Maximum Starting Temperature 50°C
- Lumens per Watt > 90
- Shock / Vibration Resistant Yes
- Power Factor > 0.90
- Total Harmonic Distortion < 20%
- Inrush Current Peak < 10 Amp
- FCC Compliance Part 15, Subp. C
- Lens IP Rating IP68
- Driver IP Rating IP67
- Warranty 10 Year

MOUNTING OPTIONS



PHOTOMETRICS (See Complete IES File)

