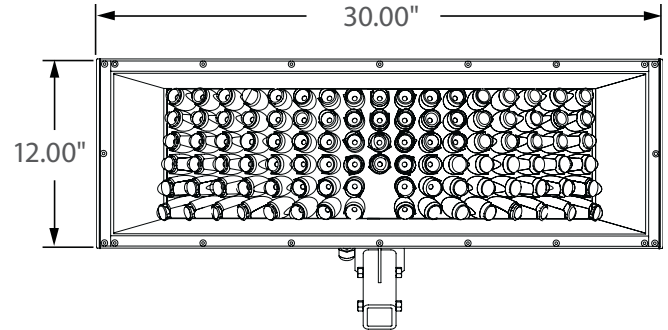


UP TO 75% ENERGY SAVINGS



Incredible 70,000 hrs

GENERAL DESCRIPTION

Neptun's Ad-Poster™ I LED billboard fixtures combine architectural form and patented design to make it an excellent choice for retrofit or new billboard applications. The 120 PCS, High Output LED's, and custom engineered optics, provide highly uniform illumination of various billboard sizes. It can replace existing HID billboard fixtures up to 400W.

APPLICATION

- 24'W x 15'H Billboard Requires 1 Unit
- 36'W x 15'H Billboard Requires 2 Units
- 48'W x 15'H Billboard Requires 3 Units

STRUCTURE, MATERIALS, & FEATURES

- Heavy-gauge, die-cast aluminum housing with cooling fins.
- Corrosion resistant electrocoat gray finish (custom colors available).
- Slim, state of the art, low profile design for minimum wind load resistance.
- Heat and impact resistant tempered flat glass lens.
- Continuous silicone gasketing surrounds lens for IP67 weather tight seal.
- 1-1/2" I.D. Slip Fitter Accepts up to 1-1/4" Pipe or Tenon. (hardware included)
- Correlated Color Temperature of (5000°K) for greater visibility.
- High power factor, low THD driver.
- InstantON flicker-free Cold Start and Hot Re-Start.
- Up to 15 years Maintenance free operation.
- 5 Year Warranty on complete fixture. (LED's, Driver, & Housing)

ORDERING INFORMATION

Sample Number: LED-44120-750-UNV
Custom options and accessories available. Please consult factory

Source	Series	Wattage	Color Temp	Voltage
LED = LED	44 = Billboard Fixture	120 = 120 W	750 = 5000°K	UNV = 120-277 VAC



PRODUCT INFORMATION

Model No.	Description	Rated Watts	Input Watts	Initial Lumens	Universal Line Voltage (VAC)	Max Line Current (Amp)	THD	Power Factor	Weight
LED-44120	LED Billboard Fixture	120	122	9,600	120-277	1.05 - 0.45	<15%	>0.98	30 lbs

SPECIFICATIONS

- LED Driver Constant Current
- Power Supply 350mA
- Start Method InstantON
- Hot Re-start InstantON
- Universal Input Line Voltage 120-277 VAC
- Input Line Frequency 50/60 Hz
- Ballast Off-State Draw 0 Watts
- Sound Rating Class A
- ANSI Surge Protection Class A
- LED / Driver System Life 70,000 Hrs.
- Lumen Maintenance @50,000Hrs > 70%
- Color Temperature 5,000°K
- Color Rendering Index (CRI) >70
- Minimum Starting Temperature -35°C
- Maximum Starting Temperature 40°C
- Lumens per Watt > 80
- Shock / Vibration Resistant Yes
- Power Factor > 0.98
- Total Harmonic Distortion < 15%
- Inrush Current Peak < 10 Amp
- ETL Listed / UL Standard 1598 Yes
- FCC Compliance Part 18, Subp. C
- IP Rating IP67
- Warranty 5 Year



36' x 15' Billboard

(2) Ad-Poster I Units

FOR BEST RESULTS

- Fixtures should be mounted at least 6 ft. from the surface of the board
- Fixtures should be mounted at least 1 ft. from the bottom or top of the board

MOUNTING OPTIONS

