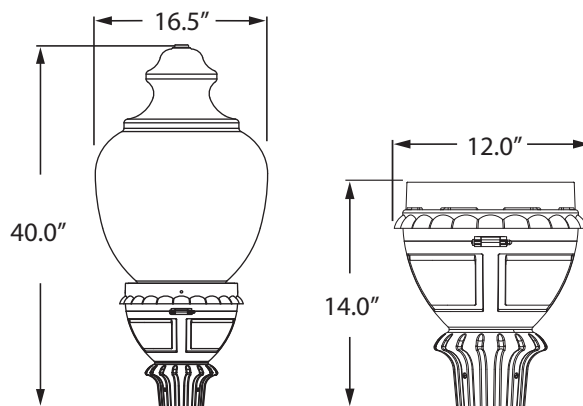
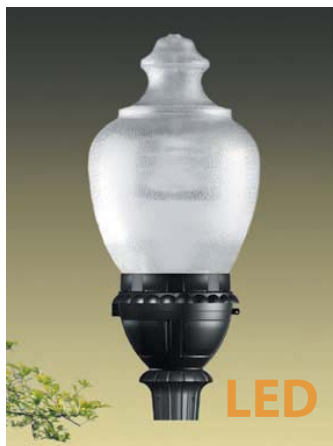


LED - ACORN - Self-Ballasted Bulb Light Fixtures

LED

The Next Generation of Lighting



Specification:

- LED Driver Type	Constant Current
- Start Method	InstantON
- Hot Re-start	InstantON
- Universal Input Line Voltage	120-277 VAC
- Input Line Frequency	50/60 Hz
- System Life	70,000 Hrs.
- Lumen Maintenance @50,000Hrs	>70%
- Color Temperature	5000°K
- Color Rendering Index (CRI)	>75
- Minimum Starting Temperature	-40°F
- Maximum Operating Temperature	120°F
- Power Factor	> 0.98
- Total Harmonic Distortion	< 10%
- Inrush Current Peak	< 10 Amp
- ETL Listed / UL Standard 1598	Yes
- FCC Compliance	Part 18, Subp. C

Applications, Features, and Benefits

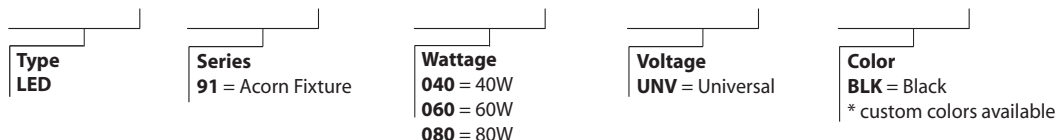
- Heat and impact resistant tempered polycarbonate lens
- Fiberglass reinforced composite housing with electrocoat black paint
- InstantON(TM) flicker-free Cold Start and Hot Re-Start
- Correlated Color Temperature of 5000° K for greater visibility
- High Power Factor, Low THD Replaceable Ballast
- Concealed continuous gasket seals against harmful dust, dirt, moisture and insects
- Patented LED engine design with Advanced Thermal Management
- Up to 15 years Maintenance free operation
- 3" Inside Diameter Slip Fitter to accept a 2-3/8" OD tenon or pole
 - Tenon & Pole reducers available for 3" & 4" Poles
- 5 Year Warranty

Product Information

Item No.	Description	Watts	Initial Lumens	Line Voltage Supply	Line Current	Total Harmonic Distortion (THD)	Power Factor	Packaging Dimensions		
								Width	Length	Height
LED-91040	LED - Acorn Fixture	40	3,000	120-277 VAC	0.34-0.15 Amp	<10%	0.98	18.0 in. 457 mm	18.0 in. 457 mm	37.0 in. 939 mm
LED-91060	LED - Acorn Fixture	60	4,200	120-277 VAC	0.52-0.22 Amp	<10%	0.98	18.0 in. 457 mm	18.0 in. 157 mm	37.0 in. 939 mm
LED-91080	LED - Acorn Fixture	80	6,000	120-277 VAC	0.69-0.30 Amp	<10%	0.98	18.0 in. 457 mm	18.0 in. 157 mm	37.0 in. 939 mm

Ordering Information

(SAMPLE NUMBER : LED-91040-UNV-BLK)



NEPTUN Light, Inc.
 Questions and Comments:
service@neptunlight.com
 Toll-Free: 1-888-735-8330

© Copyright 2012
 NEPTUN Light, Inc.

