

Incredible **40,000** hrs

GENERAL DESCRIPTION

Neptun's 5" & 6" LED Downlight Retrofit kits feature rugged design and versatility to make it an excellent choice for new construction or retrofit applications. The LED-DL56 series retrofit kit features excellent optics for increased visibility. The 120V Analog/Triac dimming ensures increased energy savings. Offered in a variety of wattages and color temperatures, it can replace existing Incandescent systems up to 75 Watts.

APPLICATION

- Hotel Lighting
- Soffit Lighting
- Hallway Lighting
- Office Lighting
- Corridor Lighting

STRUCTURE, MATERIALS, & FEATURES

- Frosted polycarbonate lens over LED's for even illumination.
- Cast aluminum heat sink and frame for excellent thermal management.
- Flicker Free Analog/Triac dimming system operates on 120VAC.
- Offered in various color temperatures. (2700°, 3000°K, 4100°K, 5000°K)
- Supplied with E26 base adapter to easily install in existing can lighting.
- Instant-On flicker-free Cold Start and Hot Re-Start.
- High power factor, low THD driver.
- High Output LED's.
- Up to 15 year maintenance free operation.
- 5 Year Warranty.

ORDERING INFORMATION

Sample Number: LED-DL56-011-120V-ADIM-827
Custom options and accessories available. Please consult factory

Series	Wattage	Driver	Color Temp
LED-DL56 = 5" & 6" Downlight Retrofit	011 = 11 W 014 = 14 W	120V-ADIM = 120VAC Analog/Triac Dimming	827 = 2700°K 830 = 3000°K 841 = 4100°K 850 = 5000°K



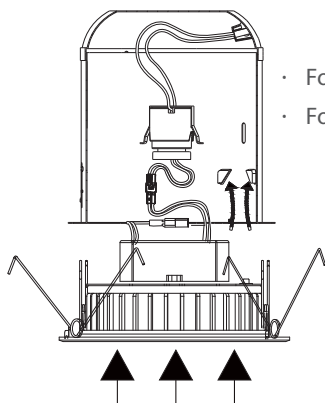
PRODUCT INFORMATION

Model No.	Watts	Input Line Current @ 120VAC	Power Factor	THD	Color Temp. CCT (°K)	CRI	Lumens	Lm/W	Beam Angle
LED-DL56-011-120V-ADIM-827	11	0.096A	>0.90	<20%	2,700°	>80	800	72	90°
LED-DL56-011-120V-ADIM-830	11	0.096A	>0.90	<20%	3,000°	>80	820	74	90°
LED-DL56-011-120V-ADIM-841	11	0.096A	>0.90	<20%	4,000°	>80	840	76	90°
LED-DL56-011-120V-ADIM-850	11	0.122A	>0.90	<20%	5,000°	>80	860	78	90°
LED-DL56-014-120V-ADIM-827	14	0.122A	>0.90	<20%	2,700°	>80	1,100	78	90°
LED-DL56-014-120V-ADIM-830	14	0.122A	>0.90	<20%	3,000°	>80	1,120	80	90°
LED-DL56-014-120V-ADIM-841	14	0.122A	>0.90	<20%	4,000°	>80	1,140	82	90°
LED-DL56-014-120V-ADIM-850	14	0.122A	>0.90	<20%	5,000°	>80	1,180	84	90°

SPECIFICATIONS

- LED Driver Constant Current
- Power Supply 350mA
- Dimming System 120VAC Analog/Triac
- Start Method InstantON
- Hot Re-start InstantON
- Input Line Voltage 120 VAC
- Input Line Frequency 50/60 Hz
- Ballast Off-State Draw 0 Watts
- Sound Rating Class A
- LED / Driver System Life 40,000 Hrs.
- Lumen Maintenance @25,000Hrs > 70%
- Color Temperature Various
- Color Rendering Index (CRI) > 80
- Minimum Starting Temperature -10°C
- Maximum Starting Temperature 45°C
- Lumens per Watt > 70
- Shock / Vibration Resistant Yes
- Power Factor > 0.90
- Total Harmonic Distortion < 20%
- IP Rating IP20
- UL Listed Yes
- FCC Compliance Part 15, Subp. C
- Warranty 5 Year

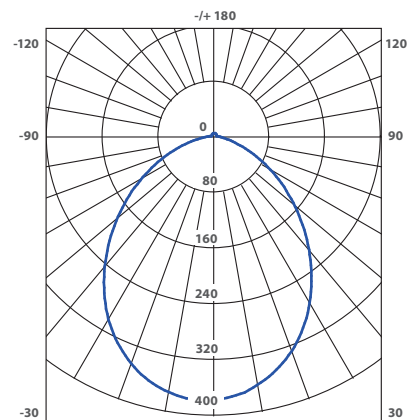
MOUNTING (See Complete Installation Instructions)



- For existing 5 & 6" in. diameter cans / downlights
- For screw-in Medium (E26) base socket

PHOTOMETRICS

Polar Intensity Diagram



Unit: cd
Average Beam Angle (50%): 92.1 DEG